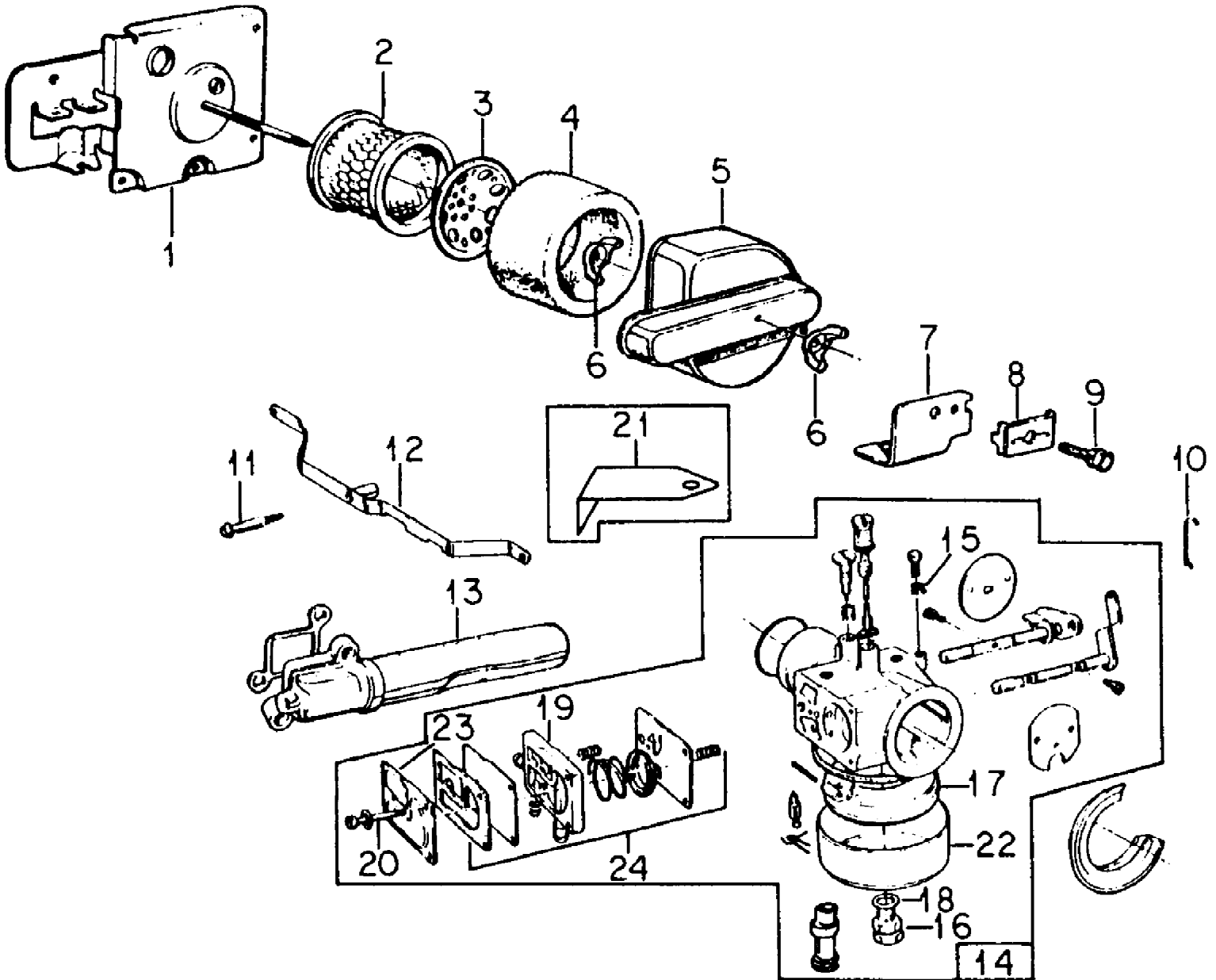


Air Cleaner & Carburetor

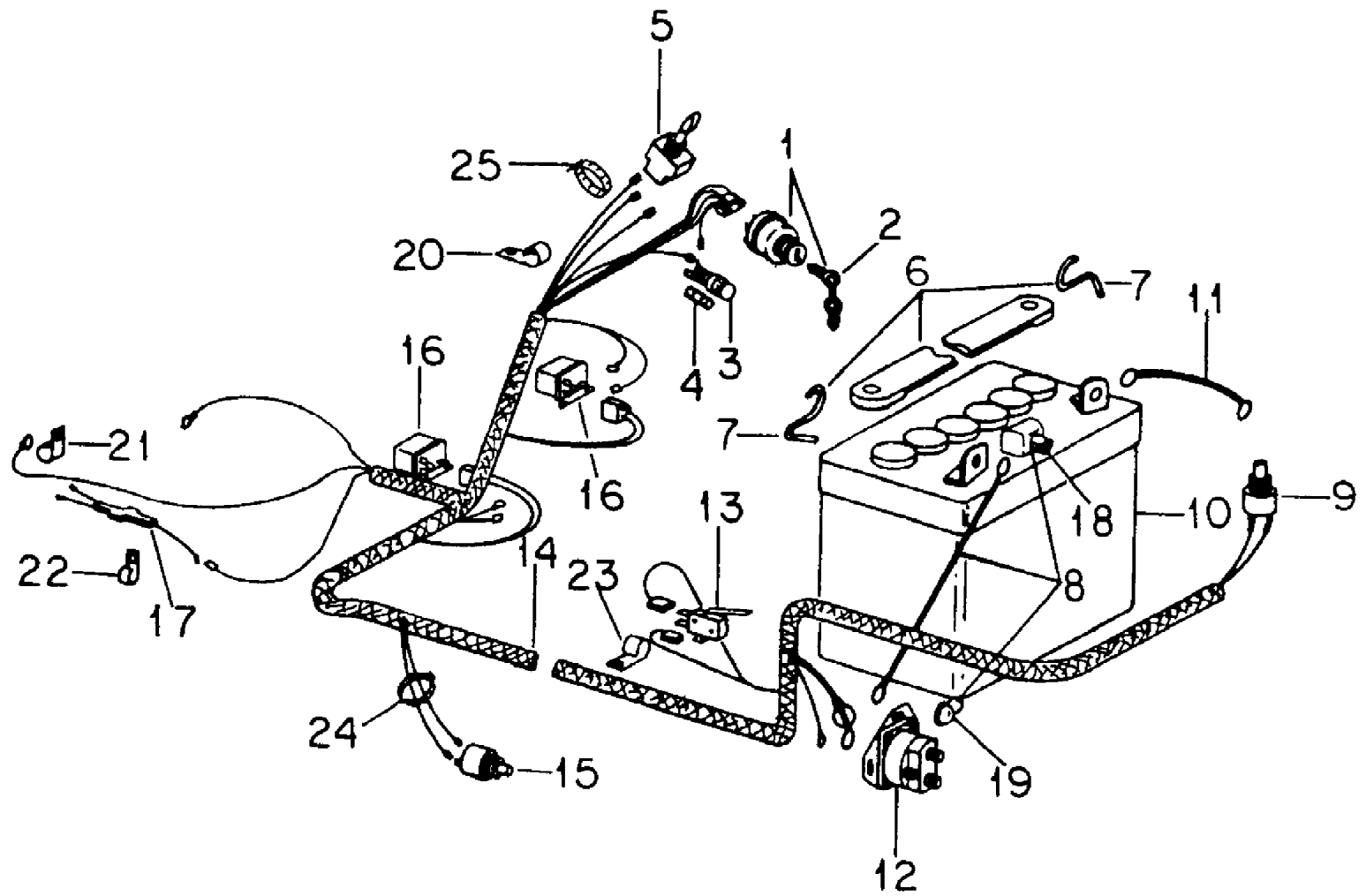


## Air Cleaner &amp; Carburetor

Ref #	Part Number	Qty	S/P/F	Description
1	IH-76632-C1	1		Plate Assy, Air Cleaner Mounting
	710-0118	4	S	Bolt, 5/16 X 3/4 Type 5
	710-3049	2		Bolt, 1/4 X 9/16 Type 5
2	BS-392286	1	/P	Cartridge, Air Cleaner
3	IH-76620-C1	1		Cup, Air Cleaner
4	BS-270973	1	/P	Element, Air Cleaner
5	BS-392288	1		Cover, Air Cleaner
6	712-3044	2		Nut, 1/4-20 Znp Wing
7	IH-76587-C1	1		Bracket, Choke Control
8	BS-221535	1	S	Clamp, Casing
9	BS-93496	1	S	Screw, Clamp
10	BS-261339	1		Link, Throttle
11	BS-93838	1		Bolt, Shoulder, 6/32" Diameter
	BS-231520	1		Bolt, Shoulder, 8/32" Diameter
12	BS-392292	1		Lever, Linkage
13	IH-76618-C1	1		Manifold, Intake
	BS-93812	2		Screw, 1/4 X 1-1/4 Znp Fil/Hdcr Mach
14	BS-392690	1		Carburetor Assy
15	BS-260575	1		Spring, Throttle Adjusting
16	IH-76573-C1	1		Screw, Float Bowl Mounting
17	BS-299707	1	/P	Float Assy
18	BS-222014	1	S	Washer, Float Bowl
19	BS-280162	1		Pump, Body
20	BS-93829	1		Screw, Pump Cover
21		1		Not used in this application
22	BS-221995	1	/P	Bowl, Float
23	BS-222615	1		Cover, Pump
24	BS-393397	1	/P	Kit, Pump Repair
	BS-393544	1	/P	Kit, Carburetor Overhaul (Consists of Ref No. 24, gaskets, valves and jet screws)



Ref #	Part Number	Qty	S/P/F	Description
1	703-0017	1	S	Strap Assy, Battery
2		1		Hook, Battery Strap (Order 703-0017 Strap Assy)
3	IH-PRLU	1	S	Battery, IH Low-Maintenance, 12 Volt
4	725-3078	1	S	Cable, Battery, Positive
	710-0451	1	/P	Bolt, 5/16 X 3/4 Crg Type 1
	712-0267	1	S	Nut, 5/16 Type 5
	736-3007	1		Washer, 5/16 Ext Int Tooth Lock
5	725-3007	1	S	Cover, Battery Terminal
6	725-3008	1		Insulator, Terminal Boot
7	725-0978	1	S	Cable, Battery, Negative Terminal to Ground
	710-0703	1	/P	Bolt, 1/4 X 3/4 Crg Type 1
	712-3006	1	/P	Nut, 1/4 Type 5
8	725-3011	1	S	Holder Assy, Fuse
	IH-356445-R91	1	/P	Knob, Fuse Holder
9	725-3012	1	S	Fuse, 10 Amp
10	725-3013	1		Harness Assy, Cable
	710-3015	1	/P	Bolt, 1/4 X 3/4 Type 5
	712-3006	2	/P	Nut, 1/4 Type 5
11	726-3006	3		Clip, Cable
	712-3006	1	/P	Nut, 1/4 Type 5
12	726-3007	1		Clip, Cable, PTO Clutch
13	726-3008	2	/P	Clip, Cable, Heat Shield & Frame
14	726-3009	1		Clip, Cable, LH Channel at X Member
15	725-3014	1	S	Diode Assy
16	725-3015	1		Cable, PTO Switch Ground
17		1		Not used in this application
18	726-3010	1		Strap, Cable Tie
19	726-3011	1		Strap, Cable Lock
20	725-3001	1	S	Switch, Magnetic
	712-0267	2	S	Nut, 5/16 Type 5
	712-0349	1	/P	Nut, No. 10-NF Mach Screw Type
	712-3006	2	/P	Nut, 1/4 Type 5
21	725-3003	1		Switch, Neutral Start, Normally Closed
	735-3006	1	/P	Boot, Neutral Start Switch
22	725-3060	1	S	Switch, Neutral Start, Normally Open
	735-3006	1	/P	Boot, Neutral Start Switch
23	725-3004	1	S	Switch Assy, Battery Ignition Key
	712-3013	1	/P	Nut, Battery Ignition Switch
	736-0156	1	/P	Washer, .656 X 1.000 X .105
24	725-0201	1	S	Key, Ignition Switch
25	725-3005	1	S	Switch, PTO
	736-3003	1	/P	Washer, 531 X .688 X .054 Pln
	712-3014	1	/P	Nut, Switch



## Battery, Switches, Cables &amp; Clips-SN 720000 A

Ref #	Part Number	Qty	S/P/F	Description
1	725-3004	1	S	Switch Assy, Battery Ignition Key
	712-3013	1	/P	Nut, Battery Ignition Switch
	736-0156	1	/P	Washer, .656 X 1.000 X .105
2	725-0201	1	S	Key, Ignition Switch
3	725-3011	1	S	Holder Assy, Fuse
	IH-356445-R91	1	/P	Knob, Fuse Holder
4	IH-223288-C1	1		Fuse, 15 Amp
5	725-0893	1	S	Switch, IPTO
	736-3003	1	/P	Washer, .531 X .688 X .054 Pln
	712-3014	1	/P	Nut, Switch
6	703-0017	1	S	Strap, Battery
7		1		Hook, Battery Strap (Order 703-0017 Strap)
8	725-3078	1	S	Cable, Battery, Positive (Includes Ref No. 18 & 19)
	710-0703	1	/P	Bolt, 1/4 X 3/4 Crg Type 1
	712-3006	1	/P	Nut, 1/4 Type 5
	736-3007	1		Washer, 5/16 Ext Int Tooth Lock
9	725-3003	1		Switch, Neutral Start, Normally Closed
	735-3006	1	/P	Boot, Neutral Start Switch
10	725-3061	1	S	Battery, IH Low Maintenance, 12 Volt
11	725-0978	1	S	Cable, Battery, Negative
	710-0703	1	/P	Bolt, 1/4 X 3/4 Crg Type 1
	712-3006	1	/P	Nut, 1/4 Type 5
	736-3007	1		Washer, 5/16 Ext Int Tooth Lock
12	725-3001	1	S	Switch, Magnetic, Solenoid
	712-0267	2	S	Nut, 5/16 Type 5
	712-0349	1	/P	Nut, No. 10-NF Mach Screw Type 1
	712-3006	2	/P	Nut, 1/4 Type 5
13	725-3066	1	S	Switch, Reverse Cut-Out
	710-3112	2		Screw, #4-40 X 3/4 Hex Hd
	712-3052	2	/P	Nut, #4-40 Non-Metallic Insert
14	725-3075	1		Harness, Main Cable
	710-3015	1	/P	Bolt, 1/4 X 3/4 Type 5
	712-3006	2	/P	Nut, 1/4 Type 5
15	725-3060	1	S	Switch, Neutral Start, Normally Open
	735-3006	1	/P	Boot, Neutral Start Switch
16	725-0894	2	S	Relay
	710-0751	4	/P	Bolt, 1/4 X 5/8 Type 5
	736-0329	4	S	Washer, 1/4 Lock
	712-3006	4	/P	Nut, 1/4 Type 5
17	725-3014	1	S	Diode Assy
18	725-3007	1	S	Cover, Battery Terminal
19	725-3008	1		Insulator, Terminal Boot
20	726-3006	3		Clip, Cable
	712-3006	1	/P	Nut, 1/4 Type 5
21	726-3007	1		Clip, Cable, IPTO Clutch
22	726-3008	2	/P	Clip, Cable, Heat Shield & Frame
23	726-3009	1		Clip, Cable, LH Channel at X Member
24	726-3010	1		Strap, Cable Tie
25	726-3011	1		Strap, Cable Lock