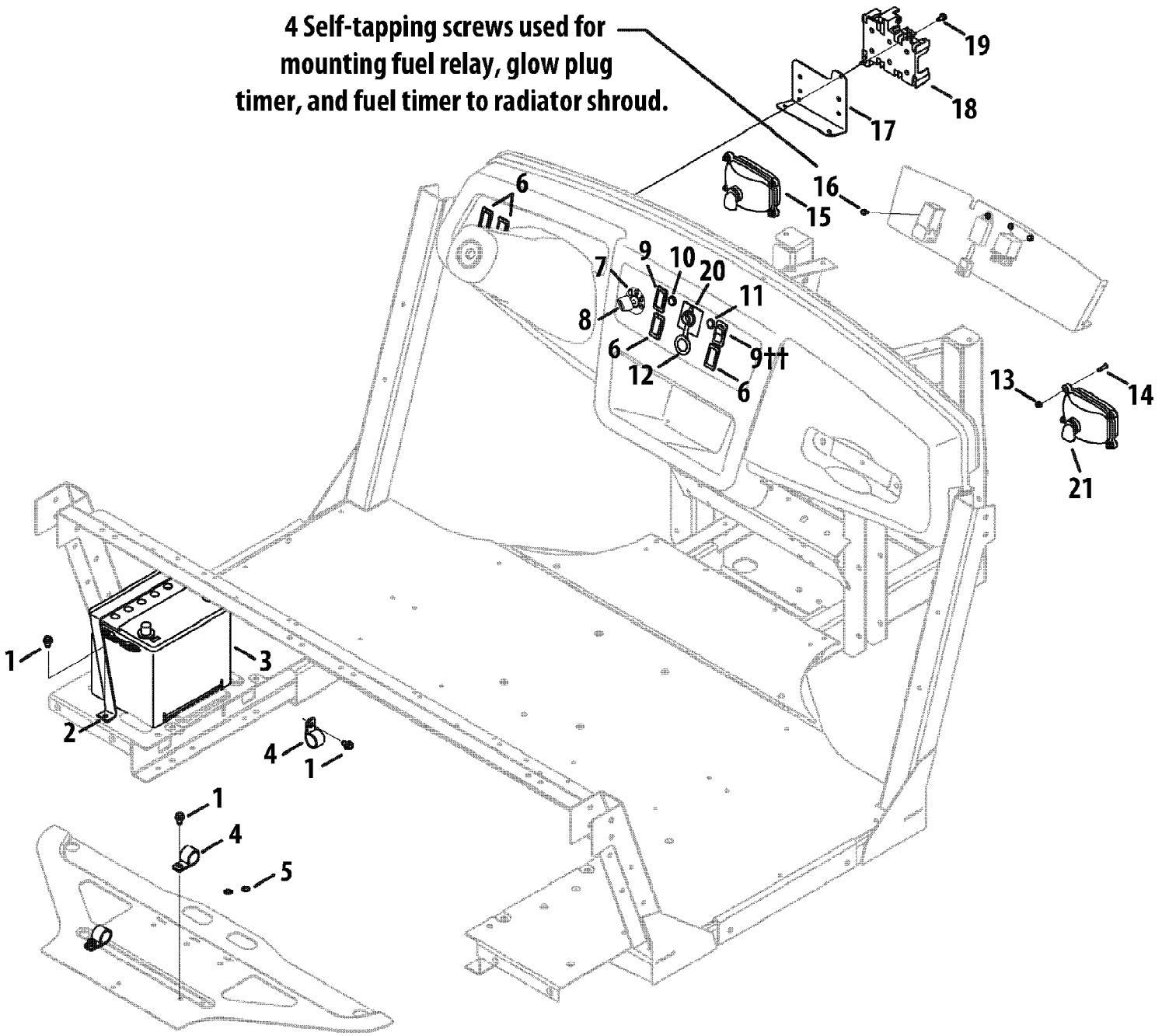
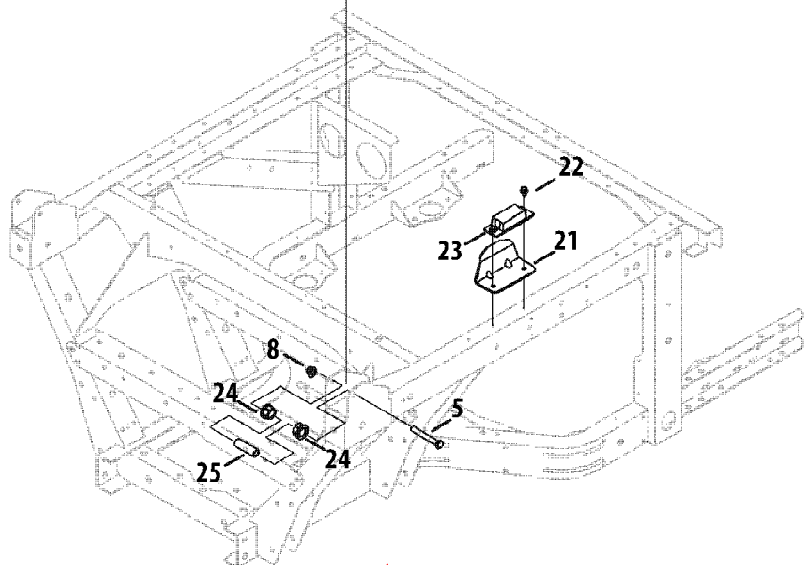
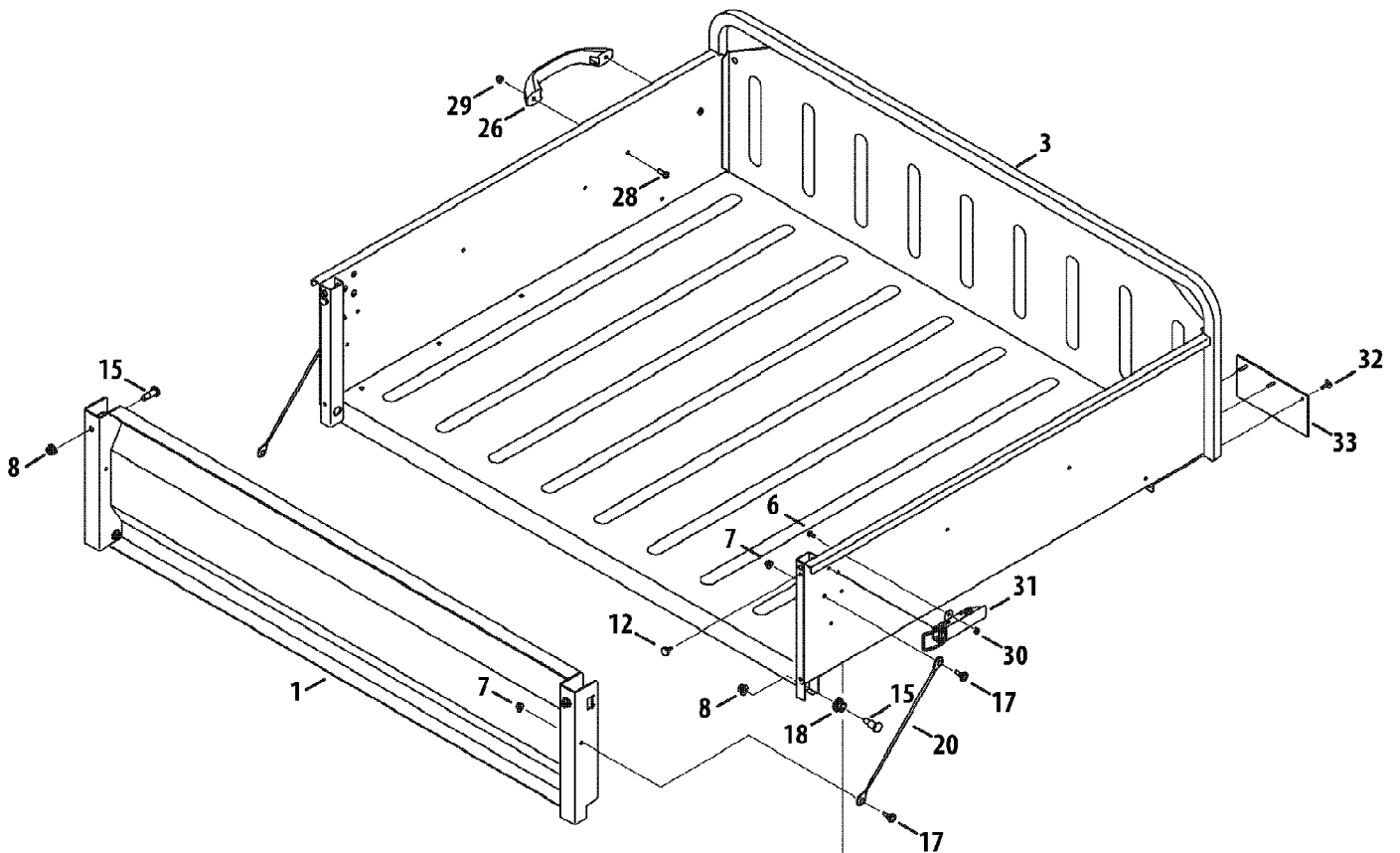
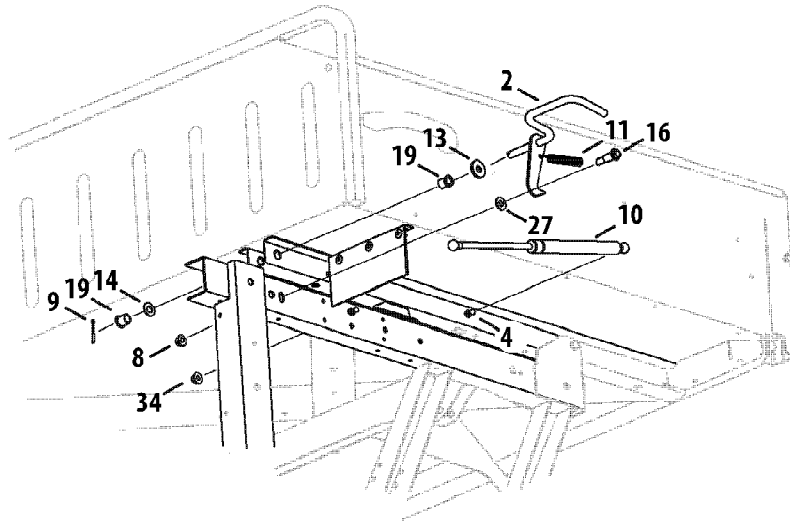


465 4X4 Utility Vehicle EFI S/N 11029Z & After
Battery & Dash Panel Accessories

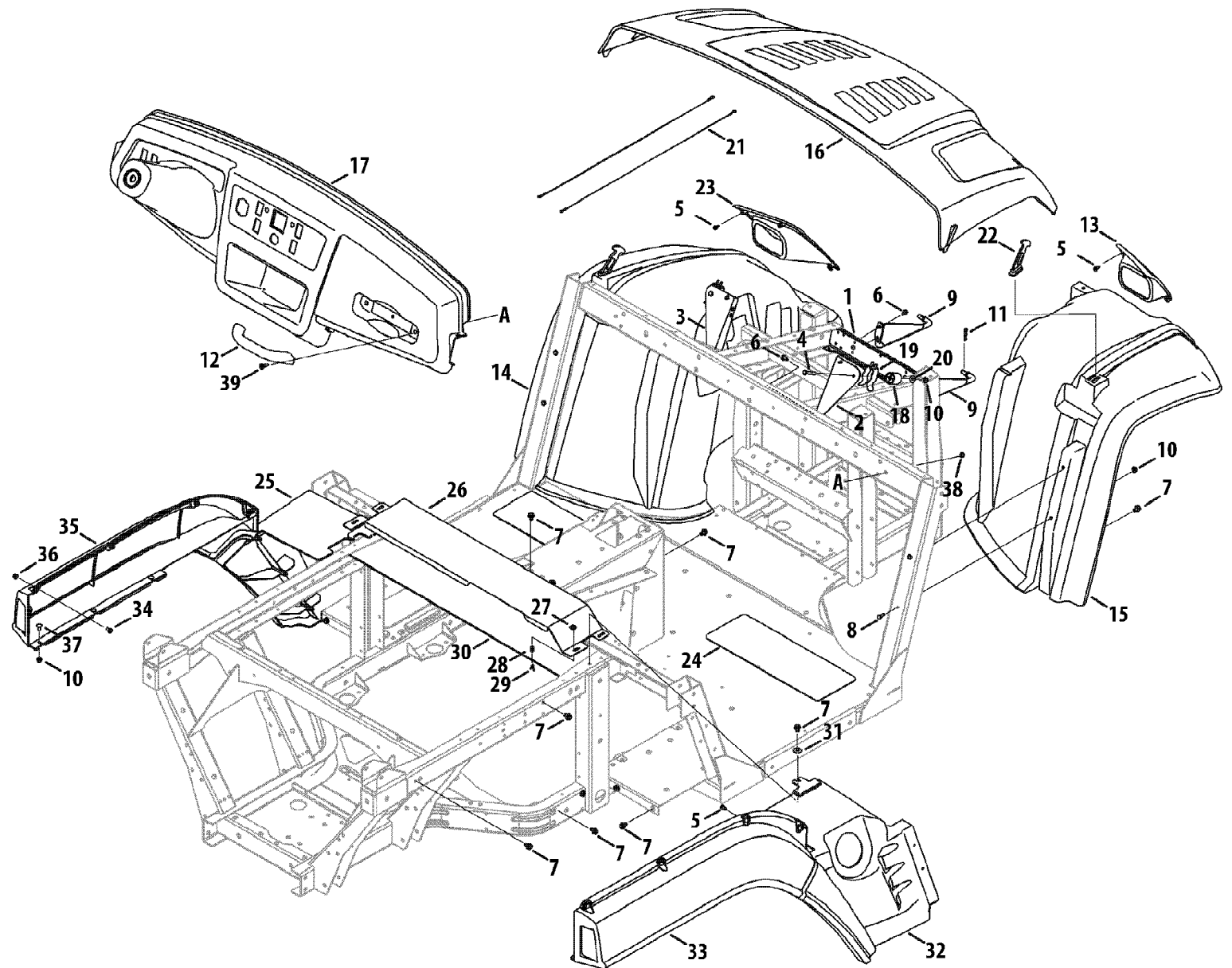
4 Self-tapping screws used for mounting fuel relay, glow plug timer, and fuel timer to radiator shroud.



Ref #	Part Number	Qty	S/P/F	Description
1	710-0607	1	/P	Screw, TT, 5/16-18 x .500
2	707-04870A-0637	1	/P	Bracket, Mt., Battery
3	925-04514	1	/P	Battery, 450 CCA Wet
4	726-0475	1		Clamp
5	736-0607	1	/P	Washer, Lock, 5/16 Diesel Units Only
6	731-04010	1		Panel, Plug, Switch
7	925-1741	1	/P	Switch, Key, 4 Pos. Delta
8	925-1745A	1	/P	Key, Delta, Plastic
9	725-04352	1		Switch, 4x4, Rocker If Equipped
10	925-04288	1	/P	Light, Ind., Yellow, LED Diesel Units Only
10	925-04530	1	/P	Lamp, Ind., Green, Incandescent Kohler EFI Units Only
11	925-04285	1	/P	Light, Ind., Red, LED Diesel Units Only
11	725-04660	1		Lamp, Ind., Red, Incandescent Kohler EFI Units Only
12	725-2003	1		Receptacle, Power, 12v
13	712-0161	1	/P	Nut, Hex Lock, #10-24
14	710-3009	1	/P	Screw, TT, #10-24 x .750
15	625-04036P	1	/P	Headlight Assembly (Incl. # 24)
16	710-0456	1		Screw, #10-16 x .500 Diesel Units Only
17	707-04811-0637	1	/P	Bracket, Fuse Mount
18	731-05490	1		Relay, Holder, 3-Way
19	710-0599	1	/P	Screw, TT, 1/4-20 x .500
20	925-04022B	1	/P	Meter, Ind., Hour Flat Face
21	925-3161A	1	/P	Head lamp Bulb
	725-3283	1		Engine Ground Wire If Equipped, Not Shown
	725-04625	1		Harness, Jumper, Neutral Switch (4x4) Not Shown
	725-04678	1		Harness, Jumper, Neutral Switch (4x2) Not Shown
	725-04840	1		Harness, Wire, Kohler Not Shown
	925-04891	1	/P	Harness, Wire, Kohler, EFI Kohler EFI Units Only,Not Shown
	725-04759	1		Harness, Wire, Yanmar Not Shown
	725-04758	1		Harness, Engine, Diesel, Yanmar Diesel Units Only,Not Shown
	735-04069A	1		Floor Mat, RH If Equipped,Not Shown
	735-04068A	1		Floor Mat, LH If Equipped,Not Shown
	925-04892	1	/P	Harness, Fuel Pump Not Shown
	725-04625	1		Harness, Neutral, Yanmar Not Shown



Ref #	Part Number	Qty	S/P/F	Description
1	607-04159B-0637	1		Tailgate Assembly, Black
1	607-04159B-4021	1	/P	Tailgate Assembly, Cub Yellow
1	607-04159B-4020	1		Tailgate Assembly, Green
1	607-04159B-0638	1		Tailgate Assembly, Red
2	607-04180	1		Lever Assembly, bed, latch
3	607-04191C-0637	1	/P	Box Assembly, bed Black
3	607-04191C-0638	1	/P	Box Assembly, bed Red
3	607-04191C-4020	1	/P	Box Assembly, bed Green
3	607-04191C-4021	1	/P	Box Assembly, bed Yellow
4	710-04166	1	/P	Stud, ball, 5/16-18
5	710-3022	1	/P	Screw, 3/8-16, 2.75, gr5, std
6	710-0473	1	/P	Screw, machine, 10-24, 0.500
7	712-04064	1	/P	Nut, Flange Lock, 1/4-20, nylon
8	712-04065	1	/P	Nut, Flange Lock, 3/8-16, nylon
9	714-0162	1	/P	Pin, cotter, 5/32, 1.25
10	932-04109B	1	/P	Spring, gas, 6.91 Stroke
11	932-0428A	1	/P	Spring, extension, .50 Od x 4.35
12	735-0271A	1	/P	Bumper, .62 Dia. x .3
13	736-04019	1		Washer, flat, .531 x 1.25 x .181
14	936-0272	1	/P	Washer, flat, .510 x 1.00 x .060
15	738-0430	1		Screw, shoulder, .50 x .685, 3/8-16
16	738-0966A	1	/P	Screw, shoulder, .50x.925, 3/8-16
17	738-1023	1		Screw, shoulder, .375x.280, 1/4-20
18	741-0324A	1	/P	Bearing, Flange, hex, .506 Id x .590
19	941-0673	1	/P	Bearing, Flange, .503 x .689 x .792
20	746-04245	1		Cable, lanyard
21	707-04786-0637	1		Bracket, Bed Guide
22	710-1652	1	/P	Screw, tt, 1/4-20x.625, hxindwsh
23	731-04016	1		Bumper, suspension, extension
24	948-0227A	1	/P	Bearing, hex Flange .629 Id
25	750-04634	1		Spacer, .390 Id x.625 Od x2.03 Lg
26	731-06155	1		Handle
27	736-0262	1	/P	Washer, Flat, .385 x .870 x .092
28	710-0924	1	/P	Screw, Mach., 1/4-20 x .750
29	712-0324	1	/P	Nut, Hex Lock., 1/4-20
30	712-0161	1	/P	Nut, Hex lock, #10-24, gr2, nylon
31	726-04058	1		Latch, draw, over Center
32	928-04004	1	/P	Pop Rivet, .188 dia, 37-50 grip
33	735-04181	1		Rear Mud Flap
34	712-04063	1	/P	Nut, Flange Lock, 5/16-18, nylon



465 4X4 Utility Vehicle EFI S/N 11029Z & After
Fenders & Dash

Ref #	Part Number	Qty	S/P/F	Description
1	707-04484-0637	1		Channel, Frame, Cross
2	707-04779A-0637	1	/P	Bracket, Hood/dash, Mount, RH
3	707-04782A-0637	1	/P	Bracket, Hood/dash, Mount, LH
4	710-0136	1	/P	Screw, 1/4-20, 1.75, Gr5, Std
5	710-04261	1		Screw, #12-16 x .50
6	710-0599	1	/P	Screw, TT, 1/4-20 x .500
7	710-0607	1	/P	Screw, TT, 5/16-18 x .500
8	710-3015	1	/P	Screw, 1/4-20, .75, Gr5, Std
9	607-04224-0637	1	/P	Rod Assembly, Hood Mount
10	712-04064	1	/P	Nut, Flange Lock, 1/4-20
11	914-0101	1	/P	Cotter Pin, Internal .08 x 1.42
12	731-06155	1		Handle, W/Screw 400/500 S
13	731-05285	1		Head Light RH
14	731-06710	1	/P	Fender, LH 4x4
14	731-05454B	1	/P	Fender, LH 4x4, Camo
15	731-06711	1		Fender, RH 4x4
15	731-05455B	1		Fender, RH 4x4, Camo
16	731-06638	1		Hood, 4x4
16	931-05456	1	/P	Hood, 4x4, Camo
16	731-06717	1		Hood, 4x4, Camo, Treestand
16	731-06715	1	/P	Hood, 4x4, Green
16	731-07019	1		Hood, 4x4, Red
17	731-05322A	1		Dash, Uv 4x4
18	731-3232	1		Roller, Latch, Hood
19	732-1178	1		Spring, Latch, Hood
20	736-0342	1		Washer, Flat, .283 x .75 x .030
21	746-04328	1		Cable, Hood
22	735-04145	1		Strap, Hood
23	731-05284	1		Head Light LH
24	723-04021	1		Pad, abrasive, toe plate (4x4)
25	731-05282A	1		Fender, Lower LH Rr
25	731-05452	1		Fender, Lower LH Rr, Camo
26	707-04748A	1	S	Cover, Uv
27	726-3056	1		Latch, Panel, 1/4 Turn
28	732-0937	1		Spring, Compr, .40 OD x .040 Dia.
29	732-0936	1		Spring, Clip
30	751-10435	1		Insulator, Cover, UV
31	736-0242	1	/P	Washer, Bell, .340 x .872 x .060
32	731-05283A	1		Fender, Lower RH Rr
32	731-05453	1		Fender, Lower RH Rr Camo
33	731-05281A	1		Fender, RH Rr
33	731-05451A	1	/P	Fender, RH Rr, Camo
34	710-0286	1	/P	Screw, Mach., 1/4-20 x .500
35	731-05280A	1		Fender, LH Rr
35	731-05450A	1	/P	Fender, LH Rr, Camo
36	712-0264	1		Nut, Acorn, 1/4-20
37	710-0134	1	/P	Screw, Crg, 1/4-20, .62, Gr2
38	712-0324	1	/P	Nut, Hex Lock., 1/4-20
39	710-0166A	1	/P	Screw, Machine, 1/4-20 x 1.00