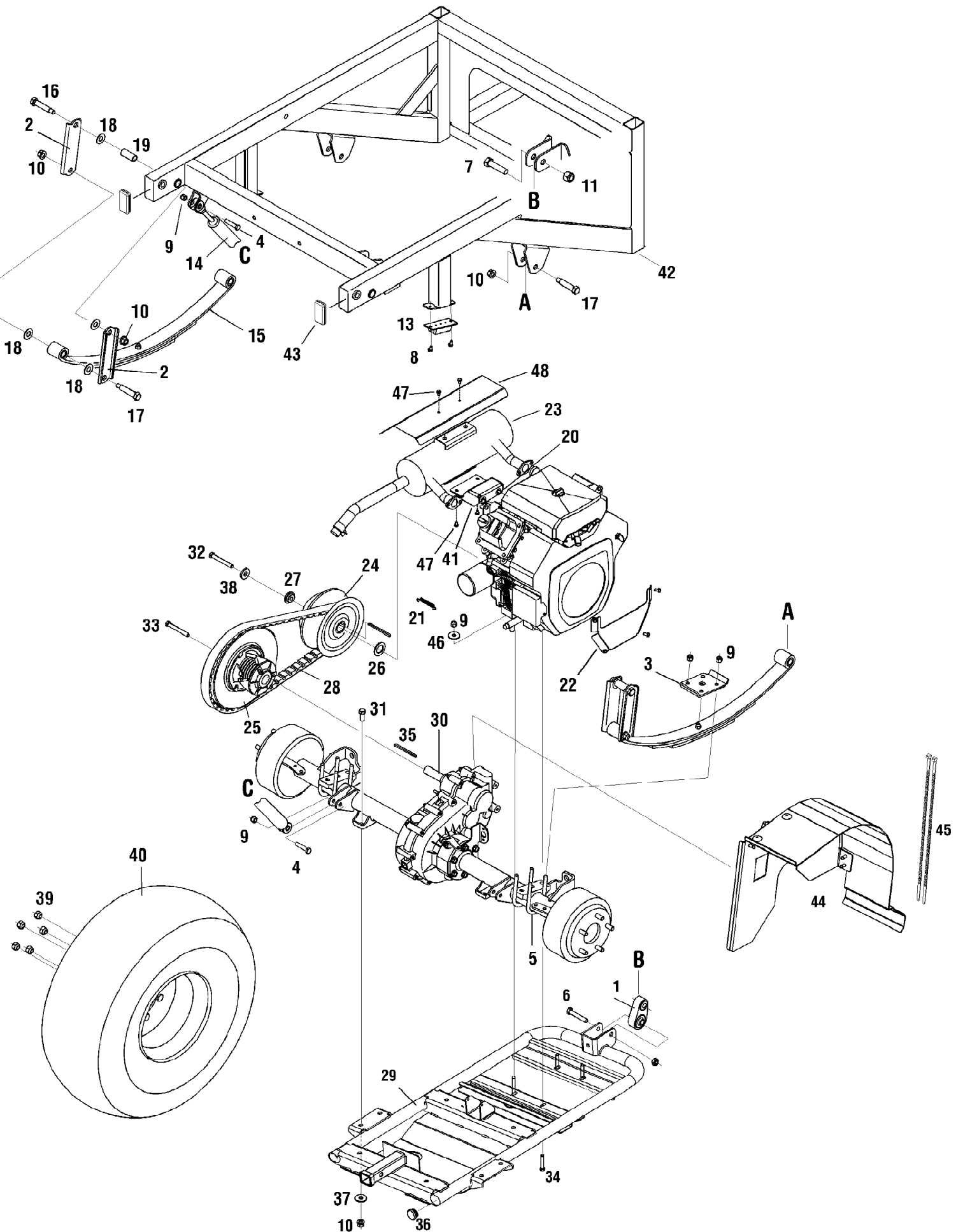


435D 4x2 Utility Vehicle (37AB435D710)
Cables

Page 2 of 58

Ref #	Part Number	Qty	S/P/F	Description
1	707-04196A	2	/P	Plate, Arm Brake
2	707-04199	1		Mount,Cable
3	707-04200	1		Bracket, Equalizer
4	710-04027	1		Screw, Shoulder, .375 x .375
5	710-1266	1	/P	Screw, 5/16-18 x 3.5
6	710-0599	2	/P	Screw, Self-Tapping
7	710-1238	4	/P	Washer, 5/16-18 x .875
8	711-0173	1	/P	Pin, Clevis 375 x .969
9	711-04024	1	S	Pin, Clevis .625 OD x 1.37
10	711-0653	2	/P	Pin, Clevis .312 OD x 1.0
11	712-3025	2		Nut, Jam 5/16-24
12	712-3010	1	S	Nut, Hex 5/16-18
13	712-3004A	4	/P	Nut, FlangeLock 5/16-18
14	712-3007	1	/P	Nut, Jam 5/16-18
15	712-3009	1	S	Hexlock Nut, 5/16-18
16	714-0104	1	S	Pin, Cotter, .072 x 1.13
17	714-0507	2	S	Pin, Cotter 3-32 x .750
18	719-0104	2		E-Ring for .500 Dia Shaft
19	716-0106A	2		E-Ring.625 Shaft
20	719-3018	2		Yoke, 5/16-24
21	726-04000	2		Clamp
22	732-0470A	1	S	Extension Spring
23	736-0159	1	S	Washer, .349 x .879 x .063
24	736-0355	2	/P	Flat Washer, 1.0 x .56 x .040
25	746-04201	1		Cable, Control, Choke
26	746-04202	1		Cable, Control, Throttle
27	746-04124	1	S	Cable, Control, Brake
28	750-04194	1		Spacer, .466 OD x .443
29	736-04099	10		Washer, Belleville, .937 x .328 x .07
30	712-0181	1	S	Jam Lock Nut

435D 4x2 Utility Vehicle (37AB435D710)
Diff. Lock & Rear Suspension



435D 4x2 Utility Vehicle (37AB435D710)
Diff. Lock & Rear Suspension

Page 4 of 58

Ref #	Part Number	Qty	S/P/F	Description
1	607-04025	1		Link Assembly
2	707-04119	4		Plate, Shackle
3	707-04120A	2		Bracket, Spring Leaf
4	710-0347	4	/P	Hex Screw, 3/8-16 x 1.75
5	710-04119	4	/P	U-Bolt 3/8-16
6	710-04128	1	/P	Hex Screw, M12-1.75
7	710-04129	1	/P	Hex Screw, 5/8-11 x 2.5
8	710-0599	4	/P	Screw, Self Tapping 1/4-20
9	712-0130	4	/P	Locknut, Nylon, 3/8-16
10	712-0459	6	/P	Flange Lock Nut 7/16-20
11	712-3016	1	/P	Hexlock Nut, Flange, 5/8 -11
12	712-3103	1		Hexlock Nut, M12 x 1.75
13	731-04016	2		Bumper, Suspension
14	732-04043	2	S	Shock Absorber, 2.50 Stroke
15	732-04055	2	S	Spring, Leaf 4 x 2
16	738-04035	4	S	Shoulder Screw, .550 x 2.29
17	738-04042	2	S	Shoulder Screw, .550 x 2.13
18	741-0405	8	S	Bearing, .56 ID x 1.25 OD x .06
19	750-04137	2	S	Bushing, .75 OD x .562 ID x 1.75 LG
20	710-04022	2		Screw, M8 x 1.25:20
21	732-0409	1	S	Extension Spring
22	707-04610	1		Engine Shield Bracket
22	KH-M-0645016	1	S	Screw, Hex Flange, M5 x .8 x 16
23	751-10184	1	/P	Muffler, Kohler
24	618-04062	1	S	Clutch Assembly, Engine (Incl. Bearing Cap)
25	618-04063	1	S	Clutch Assembly, Transmission
26	736-04009	1		Washer, Flat, 1.03 x 1.625 X .12
27	738-04002A	1		Spacer, .39 x 1.0
28	754-04018A	1	S	Belt, Cogged
29	607-04143	1		Engine/Trans. Cradle
30	918-04080A	1	/P	Transmission Assembly, Diff-Lock
30	DC-4170693P	1	/P	Brake Shoes (per axle) Not shown
31	710-0314	4	/P	Hex Screw, 7/16-20 x 1.0
32	710-04019	1		Hex Screw, 3/8-24 x 3.00
33	710-04167	1	/P	Hex Screw, 1/2-20 x 2.25
34	710-3144	4	/P	Hex Screw, 3/8-16 x 2.00
35	714-04030	1	S	Key, Square 1875 x 3.25
36	731-04707	2		Plug, Tube
37	736-3015	4	S	Washer, Flat, .469 x .875 x .105
38	736-04019	1		Washer, Flat, .531 ID x 1.25 X 1.00
39	712-3050	10	/P	Lug Nut, 7/16-14
40	634-04028	1		Wheel Assembly, 25 x 11 x 10 LH
40	634-04027	1		Wheel Assembly, 25 x 11 x 10 RH
40	634-0351	2		Wheel Assembly, 25 x 12 x 9 Turf
41	707-04581	1		Muffler Bracket
42	607-04081	1		Frame Assembly
43	731-04684	2		Tubing Plug 1.5 x 3.0
44	607-04116	1		Cover Guard
45	726-04047	2		Cable Tie
46	736-3052	8	/P	Washer, Flat, .406 x 1.00 x .105
47	710-3209	4		Hex Head Screw M6 1.0:10mm
48	751-10195	1		Kohler Heat Sheild

435D 4x2 Utility Vehicle (37AB435D710)

Diff. Lock & Rear Suspension

Ref #	Part Number	Qty	S/P/F	Description
	737-04040	1	/P	Transmission Oil (Approx. 22 oz.) Not shown, Also use 737-04158 Cub Cadet Gear Oil