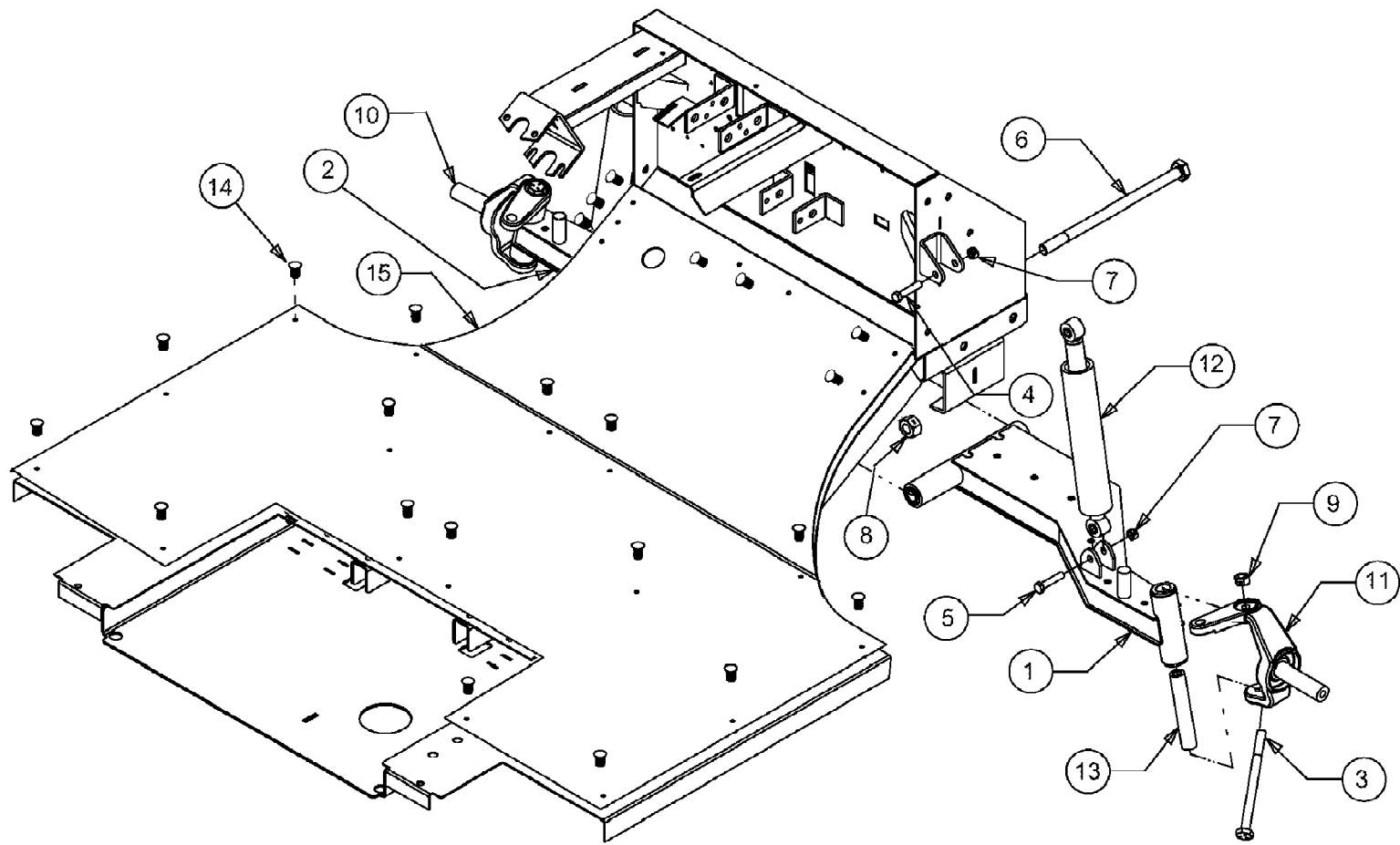
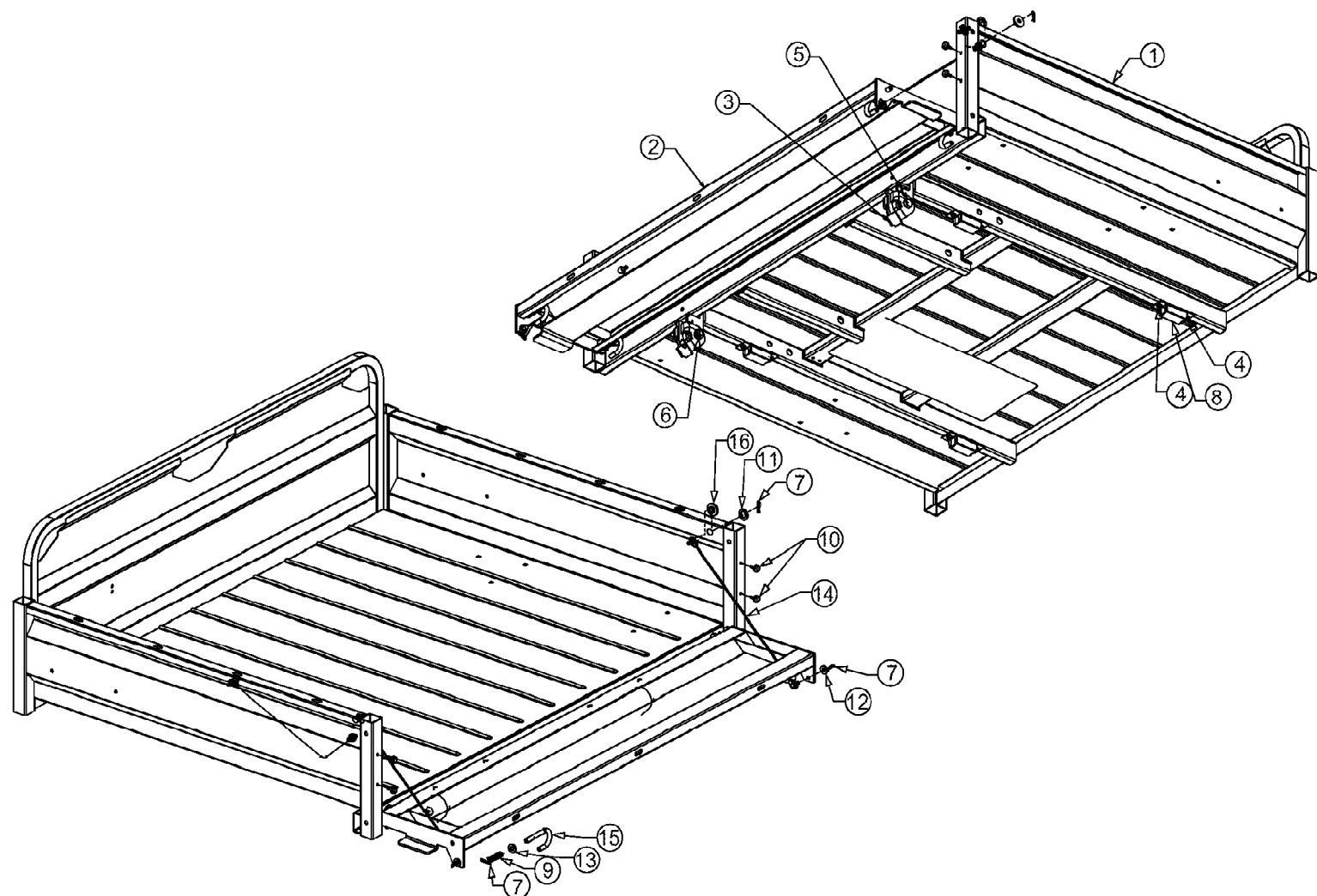


431 4X2 Utility Vehicle (Camo)
Axle (Front Suspension)



431 4X2 Utility Vehicle (Camo)
Axle (Front Suspension)

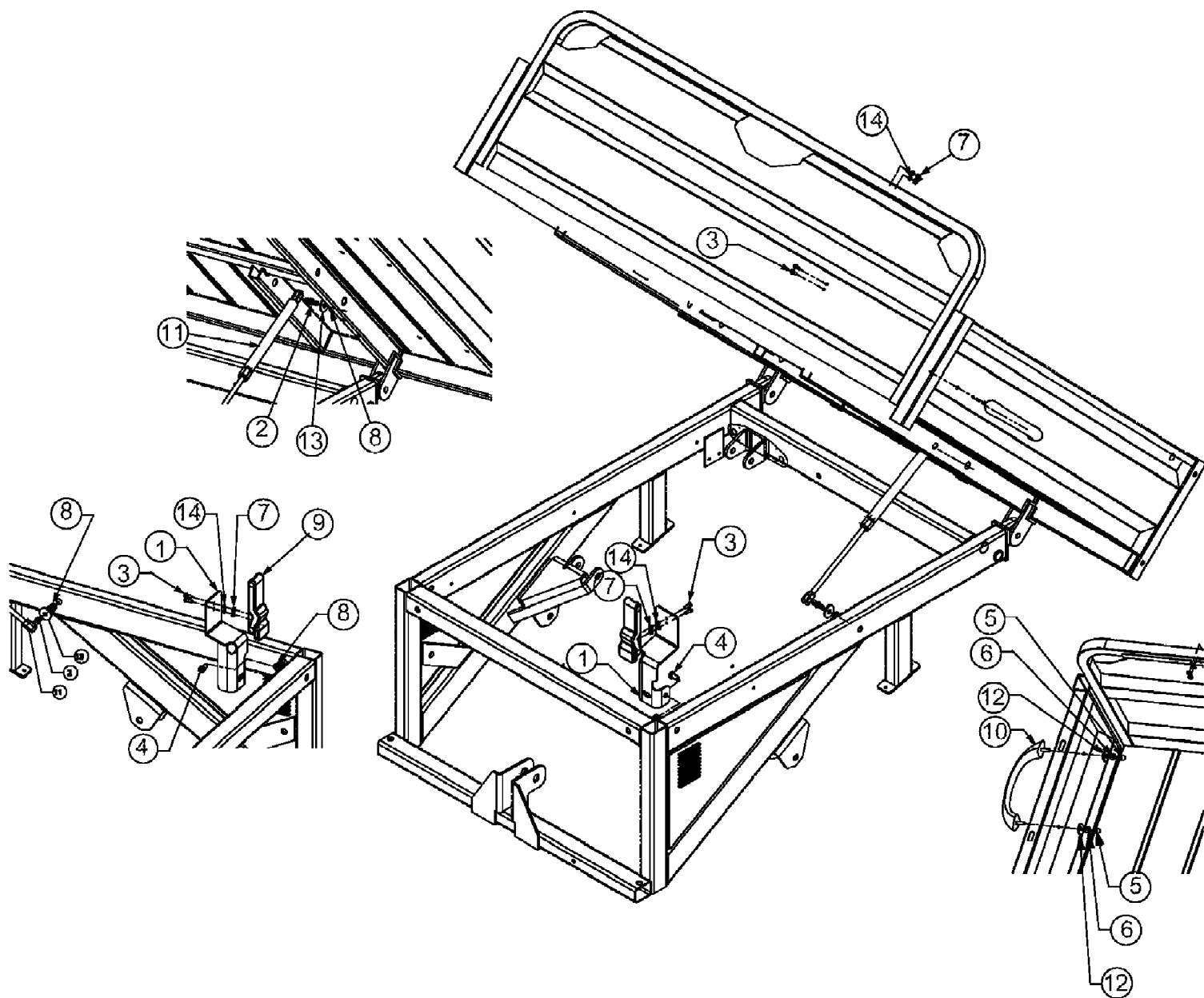
Ref #	Part Number	Qty	S/P/F	Description
1	607-04004	1		Axle Assembly, Right-front
	737-04006	1	/P	Grease Fitting
	741-0758	2		Bearing, .63 ID x 1.19 OD
	741-0762	2		Bushing, Steering
	750-1357	1		Spacer, .645 ID x 1.063 OD
2	607-04005	1		Axle Assembly, Left-front
	737-04006	1	/P	Grease Fitting
	741-0758	2		Bearing, .63 ID x 1.19 OD
	741-0762	2		Bushing, Steering
	750-1357	1		Spacer, .645 ID x 1.063 OD
3	710-04012	2		Hex Screw, 1/2-13 x 6.50, Gr5
4	710-04023	2		Hex Screw, M10-1.25 x 65mm
5	710-04024	2		Hex Screw, M10-1.25 x 50mm
6	710-04120	2		Hex Screw, 5/8-11 x 11.13, Gr5
7	712-04006	4		Nut, Hex Lock, Nylon, M10 -1.25
8	712-3016	2	/P	Nut, Hex Lock, Nylon, 5/8-11, Gr5
9	712-3022	2	/P	Nut, Hex Lock, 1/2-13
10	723-0618	1		Steering Control Knuckle, RH
11	723-0619	1		Steering Control Knuckle, LH
12	732-04069	2	S	Shock Absorber, 2.9 Stroke
13	750-1388	2		Tube, .875 x .50 x 4.75
	737-0168	1	S	Grease, Alvania, EP Lead-Free .5 oz. per pivot arm
14	726-0465	23		Clip, Retainer
15	735-04001	2		Floor Mat



431 4X2 Utility Vehicle (Camo)
Bed

Page 4 of 87

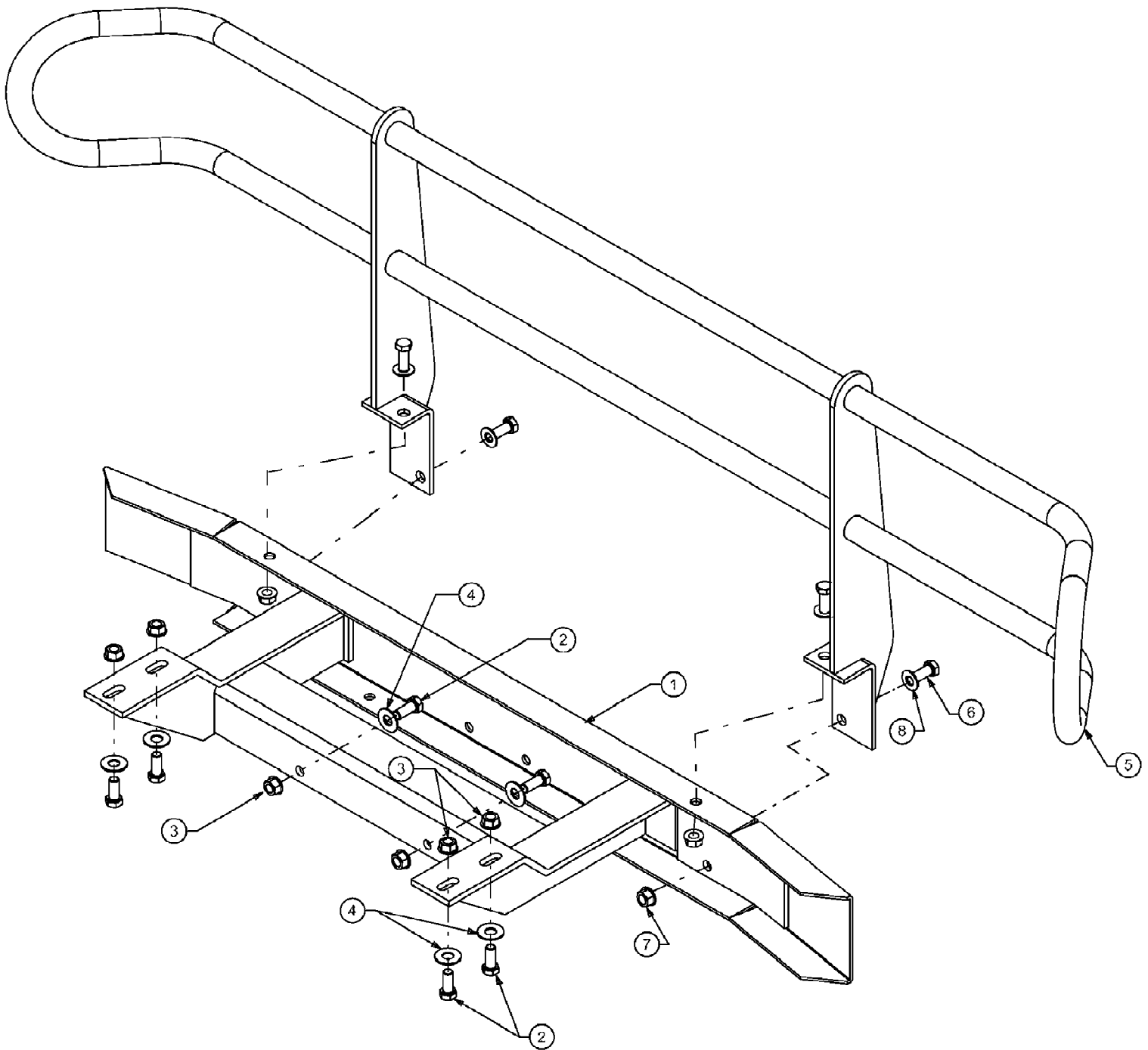
Ref #	Part Number	Qty	S/P/F	Description
1	607-04021	1	S	Bed Assembly, Utility
2	607-04028	1	S	Tailgate Assembly
3	707-04216	2	S	Bracket, Stop
4	710-0599	8	/P	Screw, Self-tapping, 1/4-20 x 0.500
5	710-3233	2	/P	Screw, Hex 1/2-13 x 2.50 GR5
6	712-3022	2	/P	Nut, Hex Lock, 1/2-13
7	714-0104	8	S	Cotter Pin, .072 Dia x 1.13 LG
8	731-04016	4		Bumper, Extension Suspension
9	732-0306	4	S	Compression Spring, .406 x .531 x 1.75 LG
10	735-0271	4	S	Bumper, .62 Dia x .3
11	736-0162	2	/P	Washer, Flat, .64 ID x 1.0 x .12
12	736-3008	2	S	Washer, Flat, .344 x .750 x .120
13	736-3010	4	/P	Washer, Flat, .407 x .812 x .135 HDN
14	746-0968	2		Cable, Lift 16.16 LG
15	747-1116	4	/P	Handle, Deck Release
16	748-0331	2	S	Spacer, Shoulder .625 Dia x .324 Dia



431 4X2 Utility Vehicle (Camo)
Bed Lift

Page 6 of 87

Ref #	Part Number	Qty	S/P/F	Description
1	707-04060	1		Bracket, Bed Latch Base
2	710-04166	2	/P	Stud, Ball 5/16-18
3	710-0899A	4	/P	Screw, Hex Sems, #10-32 x .62, Gr5
4	710-3025	1	/P	Hex Screw, 5/16-18 x .625, Gr5
5	712-0264	2		Nut, Acorn 1/4-20 w/o Lock
6	712-0324	2	/P	Nut, Hexlock, 1/4-20
7	712-0349	4	/P	Hex Nut, 10-32
8	712-0703A	3	/P	Nut, Insert 5/16-18
9	726-04005	1		Latch
10	731-04174	1		Handle, Bag w/Screw
11	732-04109	1	S	Spring, Gas .91 Stroke
12	736-0176	2	S	Washer, Flat .265 x .938 x .120
13	731-0231	2		Washer, Flat .34 ID X1.125 OD x .12
14	736-0722	4	S	Washer, Lock, #10



431 4X2 Utility Vehicle (Camo)
Bumper & Brush Guard

Ref #	Part Number	Qty	S/P/F	Description
1	607-0037	1	S	Front Bumper Assembly
2	710-3001	6	/P	Screw, Hex, 3/8-16 x .88
3	712-0431	6	S	Nut, Flange Lock, 3/8-16
4	736-04006	6		Washer, Flat, .444 x 1.0 x .057
5	~N/A	1		Guard, Brush
6	710-0514	4	/P	Screw, Hex 3/8-16 x 1.00 GR 5
7	712-0431	4	S	Nut, Flangelock 3/8-16
8	736-3050	4	/P	Flat Washer, .406 ID x 810 OD x .051