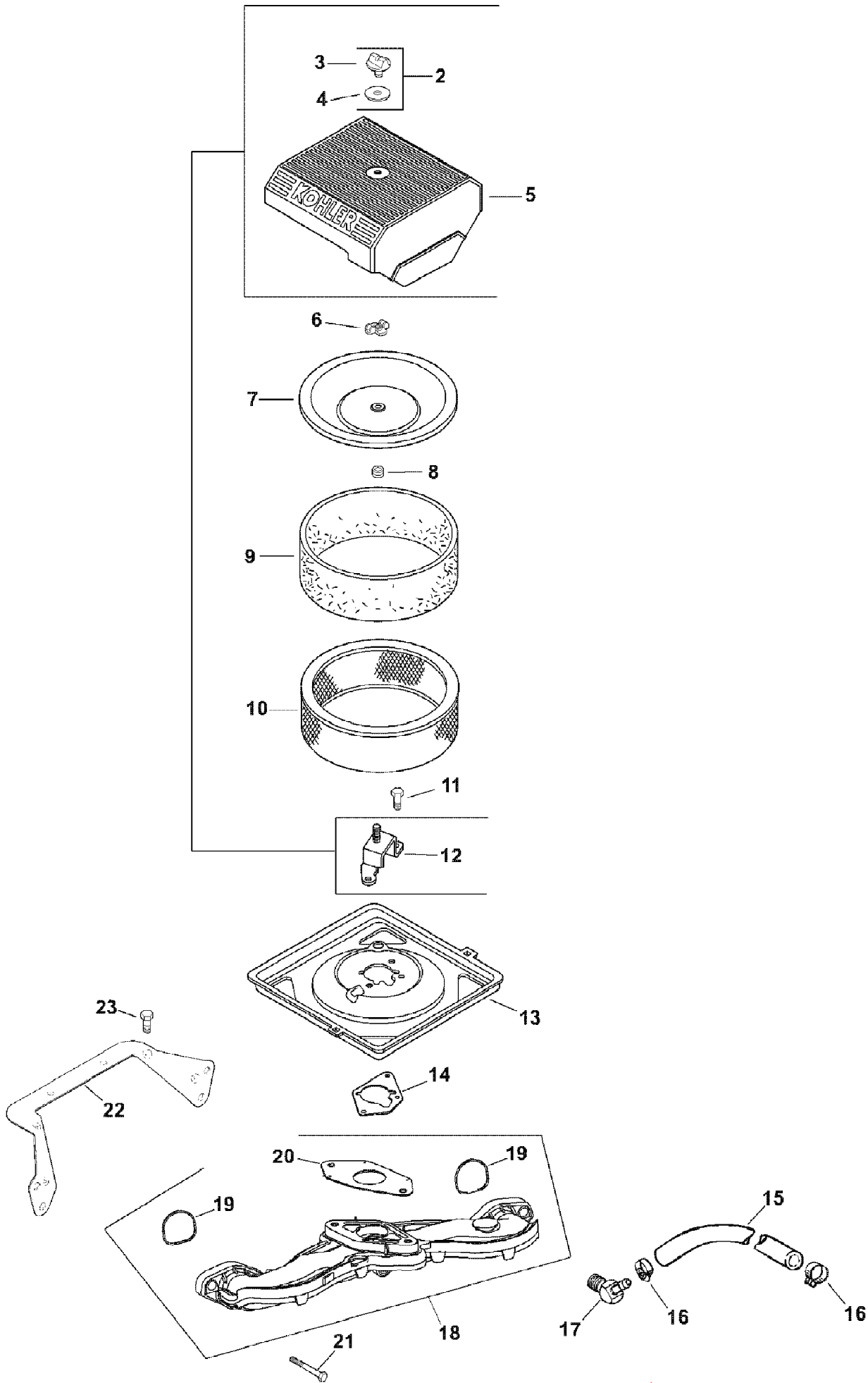


431 4x2 Utility Vehicle (Camo) (37AB431D710)
Air Intake/Filtration

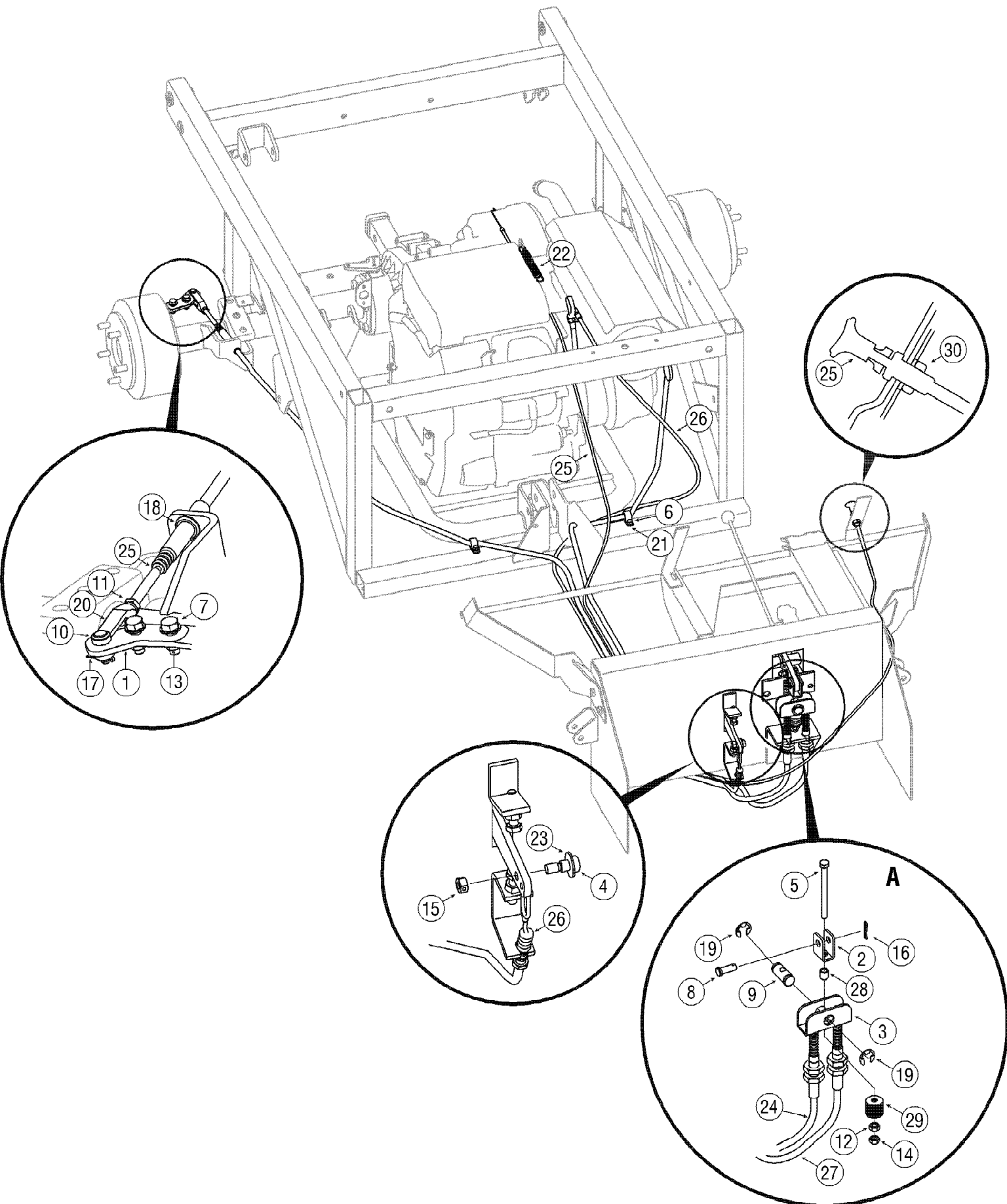


431 4x2 Utility Vehicle (Camo) (37AB431D710)
Air Intake/Filtration

Page 2 of 74

Ref #	Part Number	Qty	S/P/F	Description
1	KH-24-743-08	1		Kit, air cleaner cover (Includes 2-5,12)
2	KH-54-755-01-S	1	/P	Kit, knob with seal (Includes 3,4)
3	KH-20-341-01-S	1	S	Knob, cover
4	KH-24-153-20-S	1		Seal, air cleaner cover knob
5	KH-24-096-69-S	1	/P	Cover, air cleaner
6	KH-12-100-01	1	/P	Wing Nut
7	KH-24-096-01	1	/P	Cover, inner air cleaner
8	KH-24-032-03	1	/P	Seal, inner air cleaner
9	KH-24-083-02	1	S	Precleaner, element
10	KH-47-083-03	1	S	Element, air cleaner
11	KH-24-086-53-S	3		Screw, hex. flange M6x1.0x16
12	KH-24-126-21	1		Bracket, air cleaner base
13	KH-24-094-24-S	1	S	Base, air cleaner
14	KH-24-041-06	1	/P	Gasket, air cleaner base
15	KH-15-353-02	1	S	Line, fuel
16	KH-25-237-14-S	2	/P	Clamp, hose
17	KH-25-155-02	1	/P	Connector, pulse fitting
18	KH-24-164-55-S	1	S	Manifold, intake (Includes 19,20)
19	KH-24-153-27-S	2	/P	O-Ring, intake port
20	KH-24-041-53-S	1		Gasket, carburetor
21	KH-M-651040-S	4		Screw, hex. flange M6x1.0x40
22	KH-24-126-130-S	1		Bracket, air cleaner
23	KH-M-545010	2	S	Screw, hex. flange M5x0.8x10

431 4x2 Utility Vehicle (Camo) (37AB431D710)
Cables SN 1A107B & after

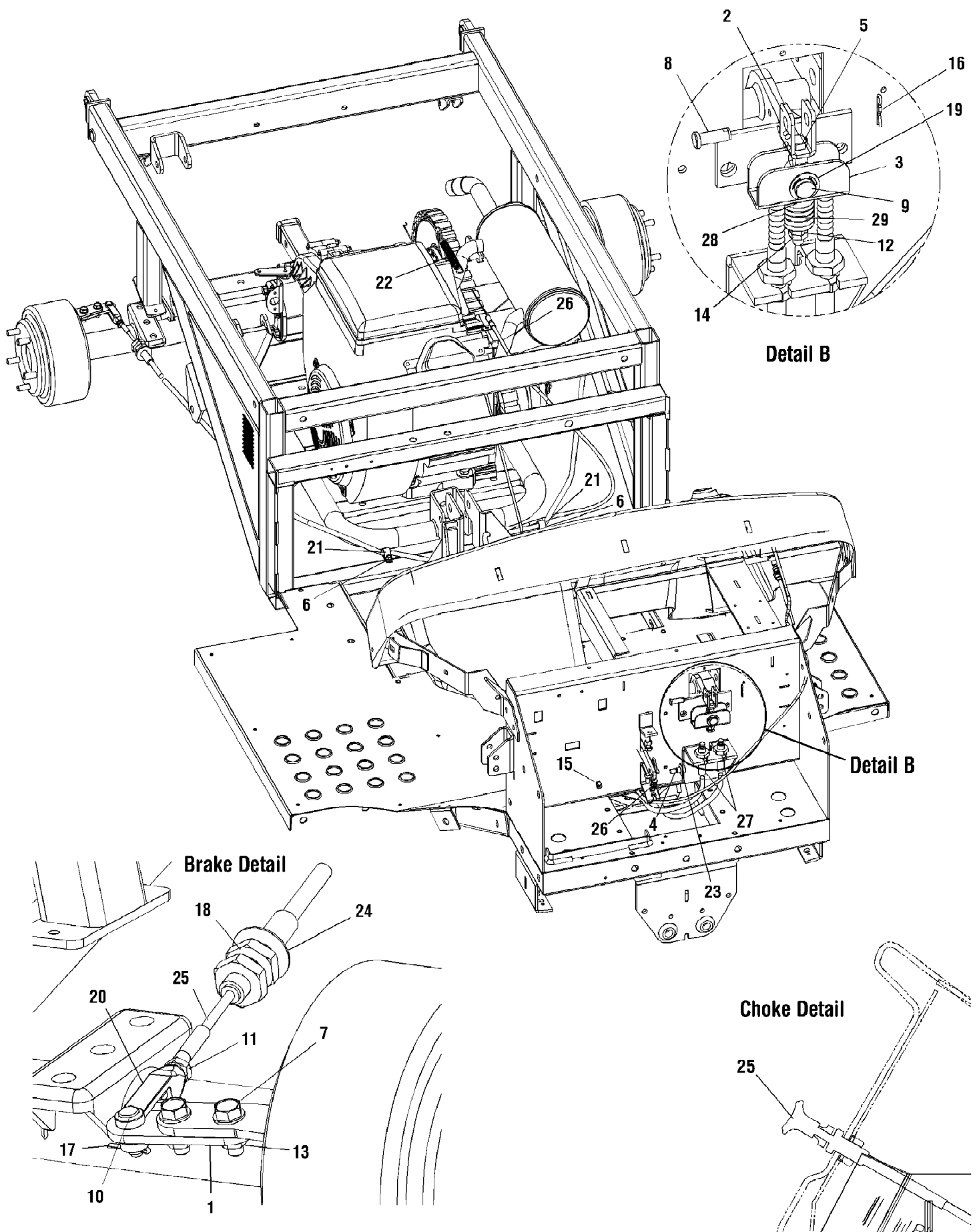


431 4x2 Utility Vehicle (Camo) (37AB431D710)
Cables SN 1A107B & after

Page 4 of 74

Ref #	Part Number	Qty	S/P/F	Description
1	707-04196A	1	/P	Plate, Arm Brake
2	707-04199	1		Mount,Cable
3	707-04200	1		Bracket, Equalizer
4	710-04027	1		Screw, Shoulder, .375 x .375
5	710-1266	1	/P	Screw, 5/16-18 x 3.5
6	710-0599	1	/P	Screw, Self-Tapping
7	710-1238	1	/P	Washer, 5/16-18 x .875
8	711-0173	1	/P	Pin, Clevis 375 x .969
9	711-04024	1	S	Pin, Clevis .625 OD x 1.37
10	711-0653	1	/P	Pin, Clevis .312 OD x 1.0
11	712-3025	1		Nut, Jam 5/16-24
12	712-3010	1	S	Nut, Hex 5/16-18
13	712-3004A	1	/P	Nut, FlangeLock 5/16-18
14	712-3007	1	/P	Nut, Jam 5/16-18
15	712-3009	1	S	Hexlock Nut, 5/16-18
16	714-0104	1	S	Pin, Cotter, .072 x 1.13
17	714-0507	1	S	Pin, Cotter 3-32 x .750
18	716-0104	1	S	E-Ring for .500 Dia Shaft
19	716-0106A	1		E-Ring.625 Shaft
20	719-3018	1		Yoke, 5/16-24
21	726-04000	1		Clamp
22	732-0470A	1	S	Extension Spring
23	736-0159	1	S	Washer, .349 x .879 x .063
24	746-04072A	1	/P	Cable, Cont., Brake
25	746-04201	1		Cable, Control, Choke
26	746-04202	1		Cable, Control, Throttle
27	746-04124	1	S	Cable, Control, Brake, 4x2
28	750-04194	1		Spacer, .466 OD x .443
29	736-04099	1		Washer, Belleville, .937 x .328 x .07
30	712-0181	1	S	Nut, Jamlk, 3/6-16

431 4x2 Utility Vehicle (Camo) (37AB431D710)
Cables SN 1A107B & before



431 4x2 Utility Vehicle (Camo) (37AB431D710)
Cables SN 1A107B & before

Page 6 of 74

Ref #	Part Number	Qty	S/P/F	Description
1	707-04196A	2	/P	Plate, Arm Brake
2	707-04199	1		Mount,Cable
3	707-04200	1		Bracket, Equalizer
4	710-04027	1		Screw, Shoulder, .375 x .375
5	710-1266	1	/P	Screw, 5/16-18 x 3.5
6	710-0599	2	/P	Screw, Self-Tapping
7	710-1238	4	/P	Washer, 5/16-18 x .875
8	711-0173	1	/P	Pin, Clevis 375 x .969
9	711-04024	1	S	Pin, Clevis .625 OD x 1.37
10	711-0653	2	/P	Pin, Clevis .312 OD x 1.0
11	712-3025	2		Nut, Jam 5/16-24
12	712-3010	1	S	Nut, Hex 5/16-18
13	712-3004A	4	/P	Nut, Flange Lock 5/16-18
14	712-3007	1	/P	Nut, Jam 5/16-18
15	712-3009	1	S	Hexlock Nut, 5/16-18
16	714-0104	1	S	Pin, Cotter, .072 x 1.13
17	714-0507	2	S	Pin, Cotter 3-32 x .750
18	719-0104	2		E-Ring for .500 Dia Shaft
19	716-0106A	2		E-Ring.625 Shaft
20	719-3018	2		Yoke, 5/16-24
21	726-04000	2		Clamp
22	732-0470A	1	S	Extension Spring
23	736-0159	1	S	Washer, .349 x .879 x .063
24	736-0355	2	/P	Flat Washer, 1.0 x .56 x .040
25	746-04201	1		Cable, Control, Choke
26	746-04202	1		Cable, Control, Throttle
27	746-04124	1	S	Cable, Control, Brake
28	750-04194	1		Spacer, .466 OD x .443
29	736-04099	10		Washer, Belleville, .937 x .328 x .07

431 4x2 Utility Vehicle (Camo) (37AB431D710)

Diff Lock And Rear Suspension SN 1A107B & after

