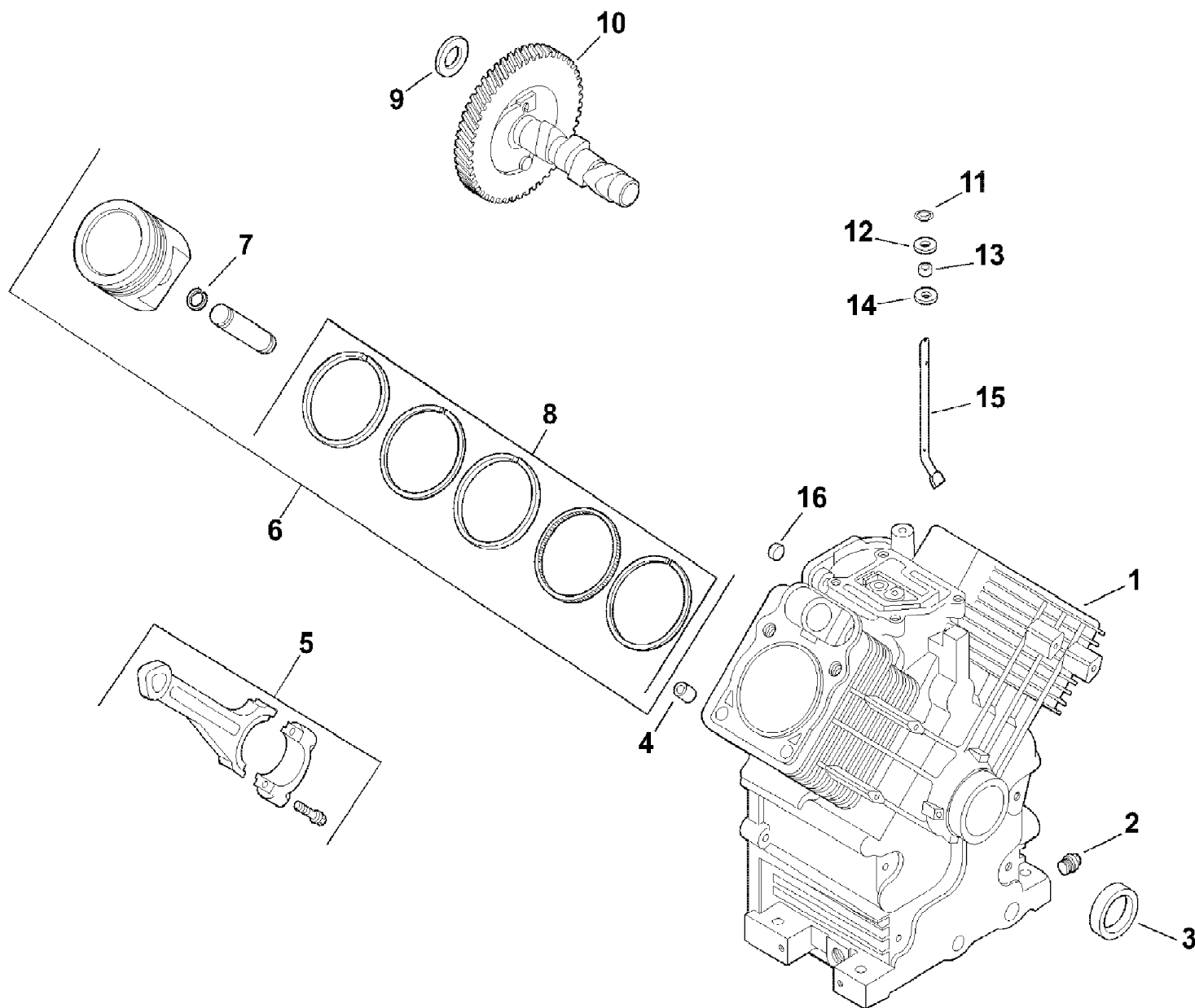


430A 4x2 Utility Vehicle (37AB430A710)
Cables

Page 2 of 58

Ref #	Part Number	Qty	S/P/F	Description
1	707-04196A	2	/P	Plate, Arm Brake
2	707-04199	1		Mount,Cable
3	707-04200	1		Bracket, Equalizer
4	710-04027	1		Screw, Shoulder, .375 x .375
5	710-1266	1	/P	Screw, 5/16-18 x 3.5
6	710-0599	2	/P	Screw, Self-Tapping
7	710-1238	4	/P	Washer, 5/16-18 x .875
8	711-0173	1	/P	Pin, Clevis 375 x .969
9	711-04024	1	S	Pin, Clevis .625 OD x 1.37
10	711-0653	2	/P	Pin, Clevis .312 OD x 1.0
11	712-0256	2	/P	Nut, Jam 5/16-24
12	712-3010	1	S	Nut, Hex 5/16-18
13	712-3004A	4	/P	Nut, Flange Lock 5/16-18
14	712-3007	1	/P	Nut, Jam 5/16-18
15	712-3009	1	S	Hexlock Nut, 5/16-18
16	714-0104	1	S	Pin, Cotter, .072 x 1.13
17	714-0507	2	S	Pin, Cotter 3-32 x .750
18	719-0104	2		E-Ring for .500 Dia Shaft
19	716-0106A	2		E-Ring.625 Shaft
20	719-3018	2		Yoke, 5/16-24
21	726-04000	2		Clamp
22	732-0470A	1	S	Extension Spring
23	736-0159	1	S	Washer, .349 x .879 x .063
24	736-0355	2	/P	Flat Washer, 1.0 x .56 x .040
25	746-04201	1		Cable, Control, Choke
26	746-04202	1		Cable, Control, Throttle
27	746-04124	1	S	Cable, Control, Brake
28	750-04194	1		Spacer, .466 OD x .443
29	736-04099	10		Washer, Belleville, .937 x .328 x .07



430A 4x2 Utility Vehicle (37AB430A710)
Crankcase - Group 2

Page 4 of 58

Ref #	Part Number	Qty	S/P/F	Description
1		1		Crankcase (Use Miniblock 24 782 15)
2	KH-25-139-57-S	2	/P	Plug, hex. head 3/8"
3	KH-24-032-01-S	1	S	Seal, front oil
4	KH-24-380-13-S	6	S	Pin, locating
5	KH-24-067-13-S	2	S	Connecting Rod (Std.)
	KH-24-067-14	2		Connecting Rod (.25)
6	KH-24-874-17-S	2	S	Piston w/Ring Set (Std.) (Includes 11,12)
	KH-24-874-14-S	2		Piston w/Ring Set (.08)
	KH-24-874-18-S	2	/P	Piston w/Ring Set (.25)
	KH-24-874-19-S	2	S	Piston w/Ring Set (.50)
7	KH-24-018-01	4	S	Retainer, piston pin
8	KH-24-108-11-S	2	S	Ring Set (Std. & .08)
	KH-24-108-12-S	2	S	Ring Set (.25)
	KH-24-108-13-S	2		Ring Set (.50)
9	KH-12-422-09	1	S	Shim, camshaft (A.R.) red
	KH-12-422-13	1	S	Shim, camshaft (A.R.) black
	KH-12-422-07	1	S	Shim, camshaft (A.R.) white
	KH-12-422-08	1	S	Shim, camshaft (A.R.) blue
	KH-12-422-10	1	S	Shim, camshaft - yellow
	KH-12-422-11	1	S	Shim, camshaft (A.R.) green
	KH-12-422-12	1	S	Shim, camshaft (A.R.) gray
10	KH-24-012-10-S	1	/P	Camshaft
11	KH-24-018-09-S	1		Retainer, ring
12	KH-M-931010-S	1		Washer, plain 9 mm
13	KH-28-032-09-S	1		Seal, governor cross shaft
14	KH-24-468-15-S	1		Washer, plain 1/4"
15	KH-24-144-38-S	1	/P	Shaft, governor cross
16	KH-52-139-09	1	S	Plug, cup
	KH-25-755-14-S	1	S	Valve, oil drain (goes in the 2 o'clock position) NOT ILLUSTRATED

