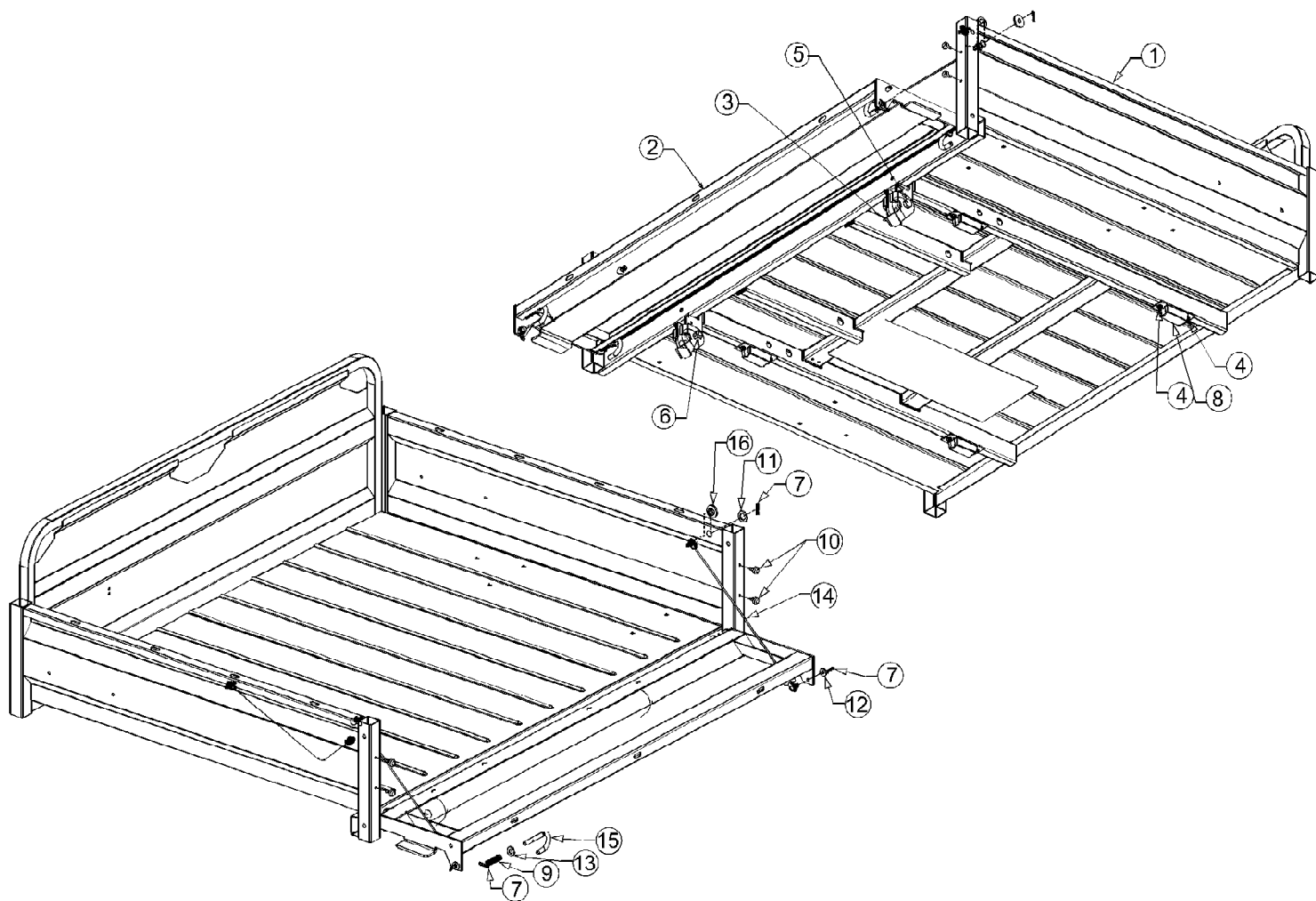




420 4X2 Utility Vehicle  
Axle (Front Suspension)

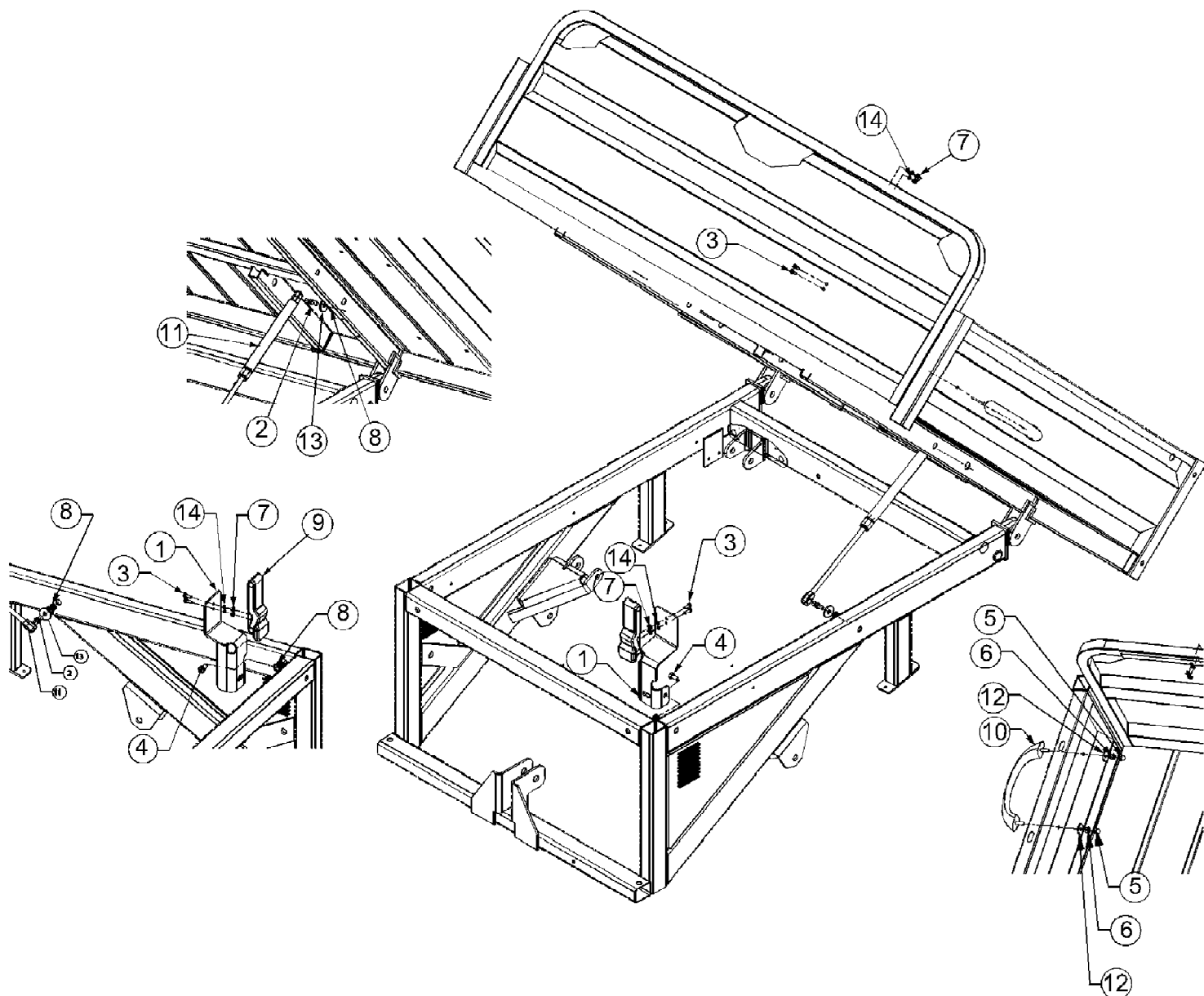
| Ref # | Part Number | Qty | S/P/F | Description                       |
|-------|-------------|-----|-------|-----------------------------------|
| 1     | 607-04004   | 1   |       | Axle Assembly, Right-front        |
|       | 737-04006   | 1   | /P    | Grease Fitting                    |
|       | 741-0758    | 2   |       | Bearing, .63 ID x 1.19 OD         |
|       | 741-0762    | 2   |       | Bushing, Steering                 |
|       | 750-1357    | 1   |       | Spacer, .645 ID x 1.063 OD        |
|       | 607-04005   | 1   |       | Axle Assembly, Left-front         |
|       | 737-04006   | 1   | /P    | Grease Fitting                    |
|       | 741-0758    | 2   |       | Bearing, .63 ID x 1.19 OD         |
|       | 741-0762    | 2   |       | Bushing, Steering                 |
|       | 750-1357    | 1   |       | Spacer, .645 ID x 1.063 OD        |
| 2     | 710-04012   | 2   |       | Hex Screw, 1/2-13 x 6.50, Gr5     |
| 3     | 710-04023   | 2   |       | Hex Screw, M10-1.25 x 65mm        |
| 4     | 710-04024   | 2   |       | Hex Screw, M10-1.25 x 50mm        |
| 5     | 710-04120   | 2   |       | Hex Screw, 5/8-11 x 11.13, Gr5    |
| 6     | 712-04006   | 4   |       | Nut, Hex Lock, Nylon, M10 -1.25   |
| ?7    | 712-3016    | 2   | /P    | Nut, Hex Lock, Nylon, 5/8-11, Gr5 |
| 8     | 712-3022    | 2   | /P    | Nut, Hex Lock, 1/2-13             |
| 9     | 723-0618    | 1   |       | Steering Control Knuckle, RH      |
|       | 723-0619    | 1   |       | Steering Control Knuckle, LH      |
| ?10   | 732-04069   | 2   | S     | Shock Absorber, 2.9 Stroke        |
| 11    | 750-1388    | 2   |       | Tube, .875 x .50 x 4.75           |
|       | 737-0168    | 1   | S     | Grease, Alvania, EP Lead-Free     |



420 4X2 Utility Vehicle  
Bed

Page 4 of 78

| Ref # | Part Number | Qty | S/P/F | Description                               |
|-------|-------------|-----|-------|---|
| 1     | 607-04021   | 1   | S     | Bed Assembly, Utility                     |
| 2     | 607-04028   | 1   | S     | Tailgate Assembly                         |
| 3     | 707-04216   | 2   | S     | Bracket, Stop                             |
| 4     | 710-0599    | 8   | /P    | Screw, Self-tapping, 1/4-20 x 0.500       |
| 5     | 710-3233    | 2   | /P    | Screw, Hex 1/2-13 x 2.50 GR5              |
| 6     | 712-3022    | 2   | /P    | Nut, Hex Lock, 1/2-13                     |
| 7     | 714-0104    | 8   | S     | Cotter Pin, .072 Dia x 1.13LG             |
| 8     | 731-04016   | 4   |       | Bumper, Extension Suspension              |
| 9     | 732-0306    | 4   | S     | Compression Spring, .406 x .531 x 1.75 LG |
| 10    | 735-0271    | 4   | S     | Bumper, .62Dia x .3                       |
| 11    | 736-0162    | 2   | /P    | Washer, Flat, .64 ID x 1.0 x .12          |
| 12    | 736-3008    | 2   | S     | Washer, Flat, .344 x .750 x .120          |
| 13    | 736-3010    | 4   | /P    | Washer, Flat, .407 x .812 x .135 HDN      |
| 14    | 746-0968    | 2   |       | Cable, Lift 16.16 LG                      |
| 15    | 747-1116    | 4   | /P    | Handle, Deck Release                      |
| 16    | 748-0331    | 2   | S     | Spacer, Shoulder .625 Dia x .324 Dia      |



420 4X2 Utility Vehicle  
Bed Lift

Page 6 of 78

| Ref # | Part Number | Qty | S/P/F | Description                         |
|-------|-------------|-----|-------|-------------------------------------|
| 1     | 707-04060   | 1   |       | Bracket, Bed Latch Base             |
| 2     | 710-04166   | 2   | /P    | Stud, Ball 5/16-18                  |
| 3     | 710-0899A   | 4   | /P    | Screw, Hex Sems, #10-32 x .62, Gr5  |
| 4     | 710-3025    | 1   | /P    | Hex Screw, 5/16-18 x .625, Gr5      |
| 5     | 712-0264    | 2   |       | Nut, Acorn 1/4-20 w/o Lock          |
| 6     | 712-0324    | 2   | /P    | Nut, Hexlock, 1/4-20                |
| 7     | 712-0349    | 4   | /P    | Hex Nut, 10-32                      |
| 8     | 712-0703A   | 3   | /P    | Nut, Insert 5/16-18                 |
| 9     | 726-04005   | 1   |       | Latch                               |
| 10    | 731-04174   | 1   |       | Handle, Bag w/Screw                 |
| 11    | 732-04109   | 1   | S     | Spring, Gas .91 Stroke              |
| 12    | 736-0176    | 2   | S     | Washer, Flat .265 x .938 x .120     |
| 13    | 731-0231    | 2   |       | Washer, Flat .34 ID X1.125 OD x .12 |
| 14    | 736-0722    | 4   | S     | Washer, Lock, #10                   |

420 4X2 Utility Vehicle  
Bumper

