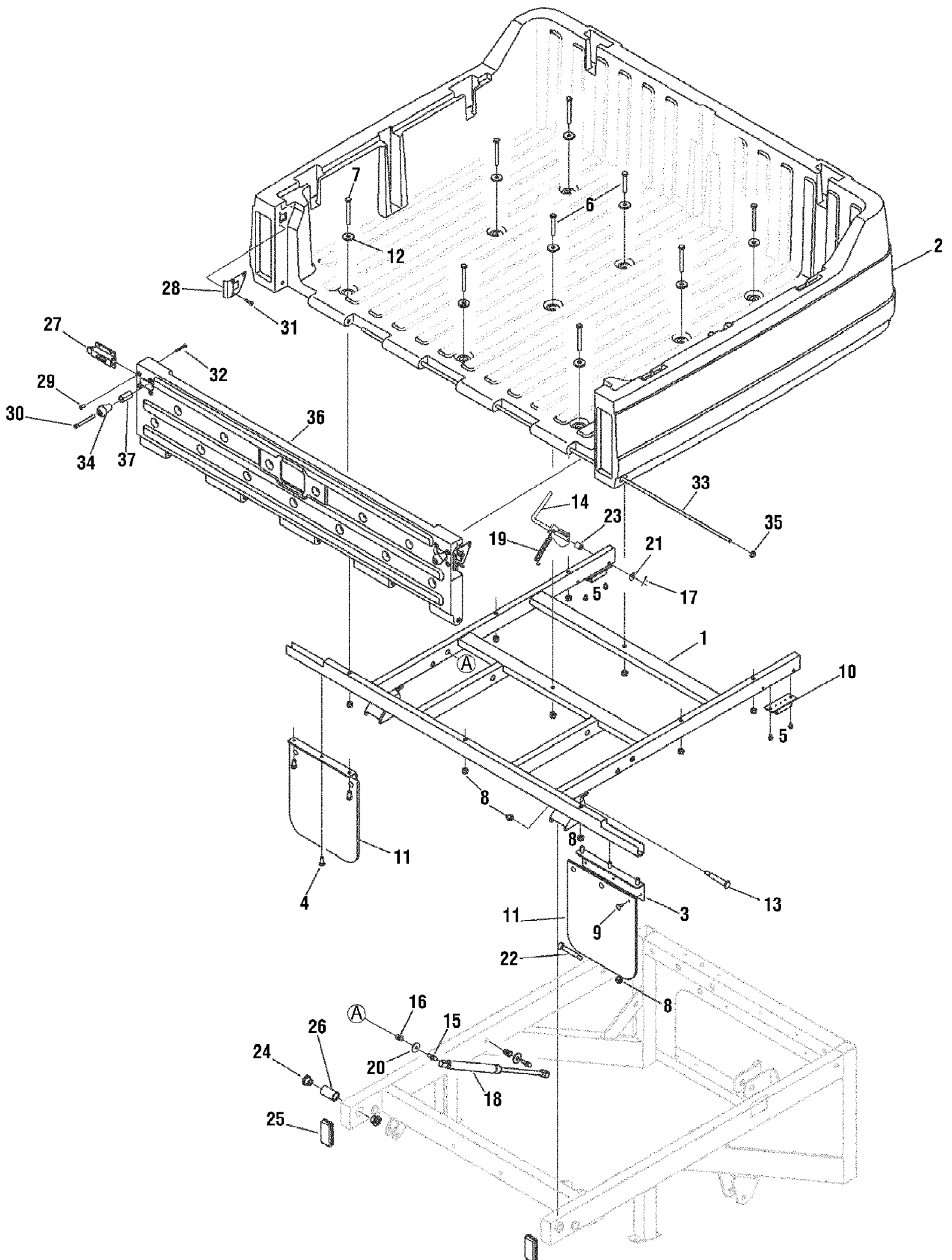


414 4x2 Utility Vehicle (37AN414J710)  
Cables

Page 2 of 52

Ref #	Part Number	Qty	S/P/F	Description
1	746-04072A	1	/P	Cable, Control, Brake
2	707-04199	1		Mount,Cable
3	707-04200	1		Bracket, Equalizer
4	710-04027	1		Screw, Shoulder, .375 x .375
5	710-1266	1	/P	Screw, 5/16-18 x 3.5
6	710-0599	2	/P	Screw, Self-Tapping
8	711-0173	1	/P	Pin, Clevis 375 x.969
9	711-04024	1	S	Pin, Clevis.625 OD x 1.37
10	711-0653	2	/P	Pin, Clevis.312 OD x 1.0
11	712-0256	2	/P	Nut, Jam 5/16-24
12	712-3010	1	S	Nut, Hex 5/16-18
14	712-3007	1	/P	Nut, Jam 5/16-18
15	712-3009	1	S	Hexlock Nut, 5/16-18
16	714-0104	1	S	Pin, Cotter, .072 x 1.13
17	714-0507	2	S	Pin, Cotter 3-32 x.750
18	716-0104	2	S	E-Ring for.500 Dia Shaft
19	716-0106A	2		E-Ring.625 Shaft
20	719-3018	2		Yoke, 5/16-24
21	726-04000	2		Clamp
23	736-0159	1	S	Washer, .349 x .879 x .063
25	746-04136	1		Cable, Control, Choke
26	746-04140	1	S	Cable, Control, Throttle
27	746-04124	1	S	Cable, Control, Brake
28	750-04194	1		Spacer,.466 OD x.443
29	736-04099	10		Washer, Belleville,.937 x.328 x.07
30	712-0181	1	S	Nut, 3/8-16 T-Lock

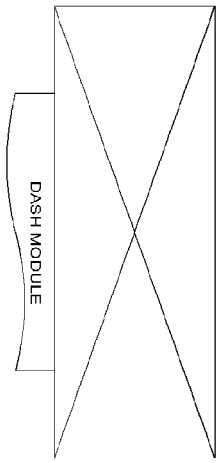


414 4x2 Utility Vehicle (37AN414J710)  
Cargo Bed

Page 4 of 52

Ref #	Part Number	Qty	S/P/F	Description
1	607-04070	1	S	Bed Frame Assembly
2	731-04639	1	S	Poly Bed
3	707-04353	2		Mud Flap Bracket
4	710-0216	6	/P	Hex Screw, 3/8-16 x.75
5	710-0599	4	/P	Self Tap Screw, 1/4-20 x.500
6	710-0859	2	/P	Hex Screw, 3/8-16 x 2.50
7	710-3130	8	/P	Hex Screw, 3/8-16 x 3.25
8	712-0130	12	/P	Hex Lock Nut, 3/8-16
9	728-04004	6	S	Pop Rivet
10	731-04016	2		Bumper, Suspension
11	735-04043	2		Mud Flap
12	736-0235	9		Flat Washer,.406 x 1.26 x.17
13	738-3056	2	S	Shoulder Screw, 1/2 x 2.50 Lg.
14	607-04108	1		Latch Assembly
15	710-04166	2	/P	Ball Stud, 5/16-18
16	712-0703A	2	/P	Insert Nut. 5/16-18
17	714-0111	1	S	Cotter Pin
18	732-04109	1	S	Gas Spring, 6.91 Stroke
19	732-0428A	1	S	Extension Spring
20	736-0231	2	S	Flat Washer,.344 x 1.125 x.12
21	736-0300	1	S	Flat Washer,.406 x.875 x.059
22	738-0129	1	/P	Shoulder Bolt, 3/8-16 x.5OD x 2.0
23	750-0807	1		Spacer,.385 x.625 x.700
24	741-0248	4		Flange Bearing,.51
25	731-04684	2		Tubing Plug
26	750-04127	4		Leaf Spring Rear Spacer
27	607-04094	2		Tailgate Latch Assembly
28	707-04349	1		Kick Plate - LH
	707-04350	1		Kick Plate - RH
29	710-04284	8		Screw, 10-24 x 5/8
30	710-04314	2		Hex Screw, 5/16-18 x 2.75
31	710-0969	4	/P	Screw, #12-16 x 1.000
32	710-1106	8	/P	Machine Screw, #10-24 x 1.625
33	711-04244	1		Tailgate Hinge
34	720-0171	2	S	Knob
35	726-0100	2	S	Push Cap
36	731-04640	1		Tailgate
37	750-04323	2		Spacer,.315ID x.375OD x 2.25
	746-04159	2		Cables, Tailgate

414 4x2 Utility Vehicle (37AN414J710)  
Electrical Schematic (Part 1)



CIRCUIT NUMBER COLOR INDEX	
10-19 GRN	100-109 RED/WHT
20-29 BLU	110-119 RED/BLK
30-39 YEL	120-129 WHT
40-49 YEL/WHT	130-139 BLK
50-59 YEL/BLK	140-149 BLU/WHT
60-69 ORG/WHT	150-159 GRY
70-79 ORG/BLK	160-169 BRN
80-89 ORG	170-179 WHT/BLK
90-99 RED	180-189 BLK/WHT
	190-199 VIOLET

