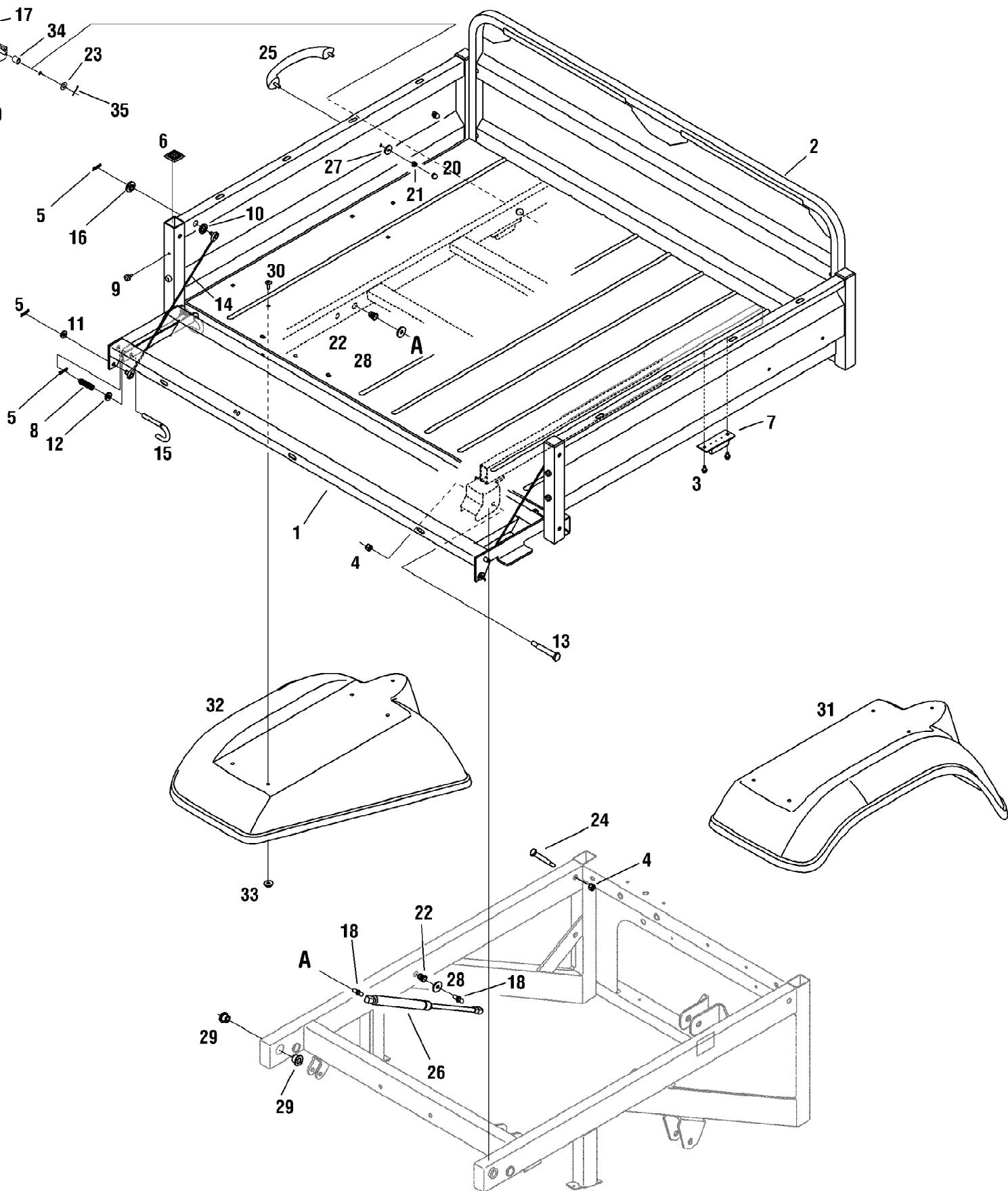


411 4x2 Utility Vehicle (37AN411G710)
Cables

Page 2 of 51

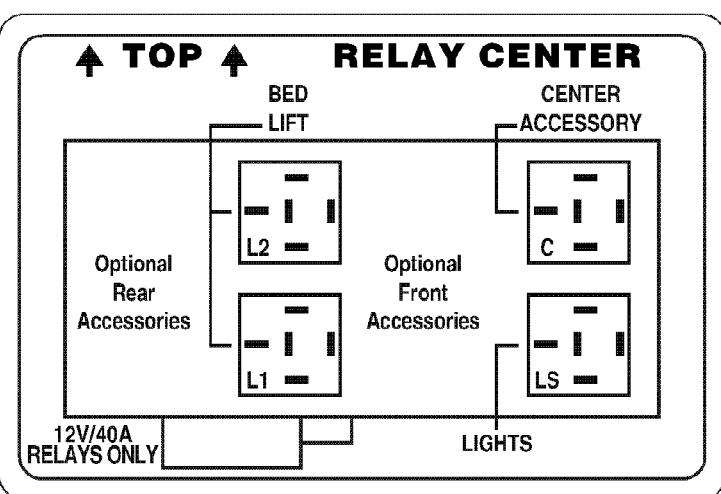
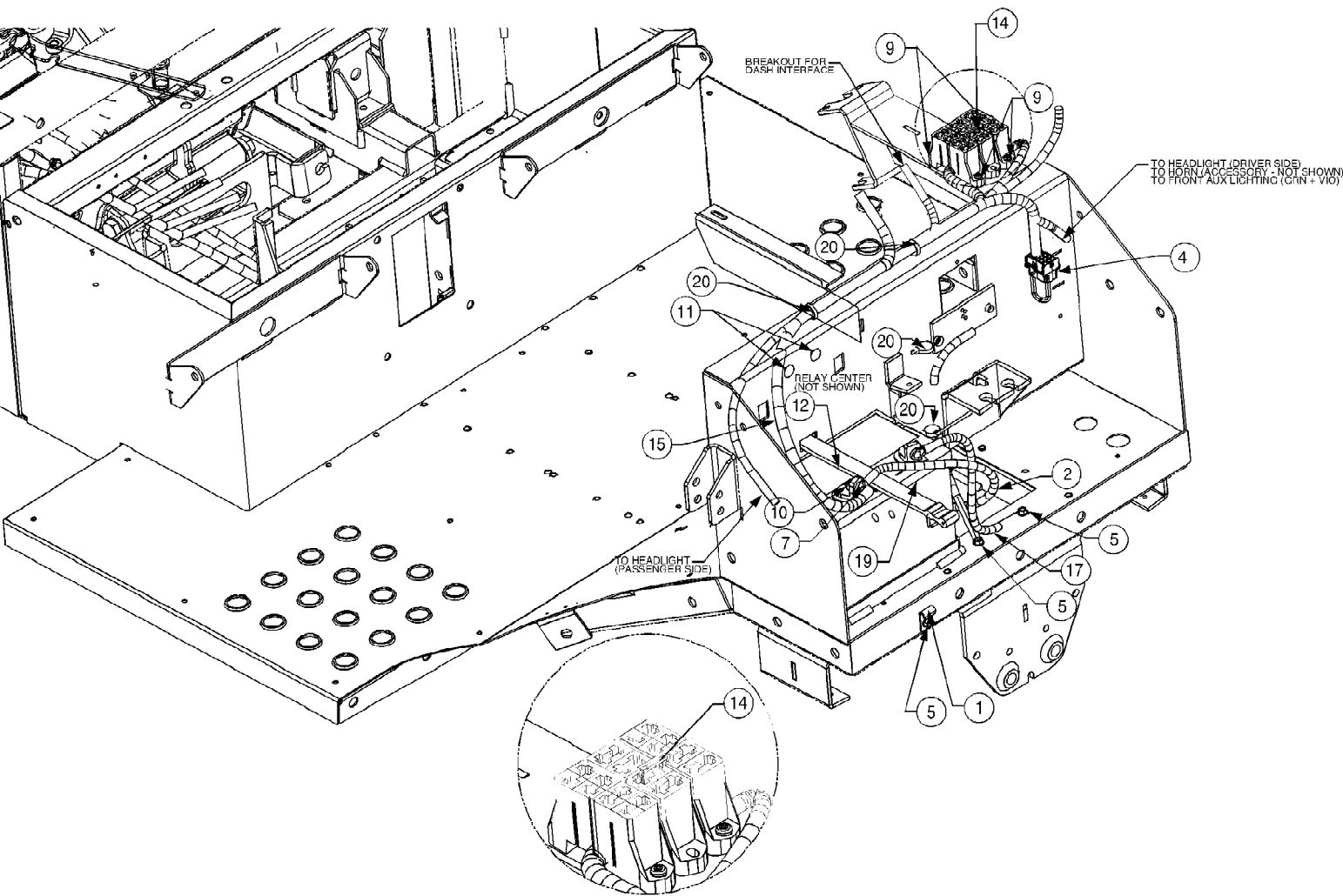
Ref #	Part Number	Qty	S/P/F	Description
1	746-04072A	1	/P	Cable, Control, Brake
2	707-04199	1		Mount,Cable
3	707-04200	1		Bracket, Equalizer
4	710-04027	1		Screw, Shoulder, .375 x .375
5	710-0176	1	/P	Screw, 5/16-18 x 2.75
6	710-0599	2	/P	Screw, Self-Tapping
8	711-0173	1	/P	Pin, Clevis 375 x.969
9	711-04024	1	S	Pin, Clevis.625 OD x 1.37
10	711-0684	2		Pin, Clevis.25 OD x 1.0
11	712-3025	2		Nut, Jam 5/16-24
12	712-3010	1	S	Nut, Hex 5/16-18
14	712-3007	1	/P	Nut, Jam 5/16-18
15	712-3009	1	S	Hexlock Nut, 5/16-18
16	714-0104	1	S	Pin, Cotter, .072 x 1.13
17	714-0507	2	S	Pin, Cotter 3-32 x.750
18	716-0104	2	S	E-Ring for.500 Dia Shaft
19	716-0106A	2		E-Ring.625 Shaft
20	719-3018	2		Yoke, 5/16-24
21	726-04000	2		Clamp
22	732-0470A	1	S	Extension Spring,.53 OD x 4.75
23	736-0159	1	S	Washer, .349 x .879 x .063
25	746-04136	1		Cable, Control, Choke
26	746-04140	1	S	Cable, Control, Throttle
27	746-04124	1	S	Cable, Control, Brake
28	750-04194	1		Spacer,.466 OD x.443
29	712-0181	1	S	Nut, 3/8-16 T-Lock
30	725-0157	2	/P	Cable Tie 3/16 x.05 x 7.4 Not Pictured



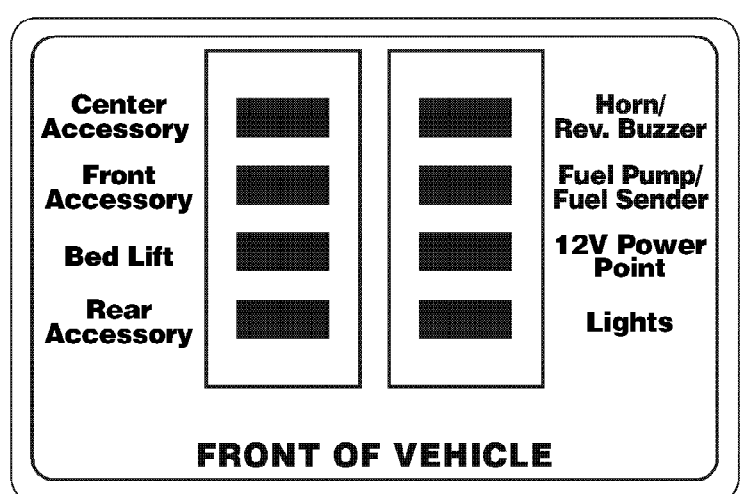
411 4x2 Utility Vehicle (37AN411G710)
Cargo Bed & Rear Fenders

Page 4 of 51

Ref #	Part Number	Qty	S/P/F	Description
1	607-04028A	1	/P	Tailgate Assembly
2	607-04074	1	S	Bed Assembly
3	710-0599	4	/P	Screw, Self-tapping, 1/4-20 x 0.500
4	712-0130	2	/P	Nut, Nylon Hex Lock, 3/8-16
5	714-0104	8	S	Cotter Pin, .072 Dia x 1.13
6	720-04036	4		Plug Cap
7	731-04016	4		Bumper, Extension Suspension
8	732-0306	4	S	Compression Spring, .406 x .531 x
9	735-0271A	4	/P	Bumper, .62Dia x .3
10	736-0162	2	/P	Washer, Flat, .64 ID x 1.0 x .12
11	736-3008	2	S	Washer, Flat, .344 x .750 x .120
12	736-3010	4	/P	Washer, Flat, .407 x .812 x .135
13	738-3056	2	S	Screw, Shoulder, 1/2 x 2.5
14	746-0968	2		Cable, Lift 16.16 LG
15	747-1116	4	/P	Handle, Deck Release
16	748-0331	2	S	Spacer, Shoulder .625 Dia x .324 Dia
17	607-04108	1		Latch Assembly
18	710-04166	2	/P	Stud, Ball 5/16-18
19	732-0428A	1	S	Extension Spring
20	712-0264	2		Nut, Acorn 1/4-20 w/o Lock
21	712-0324	2	/P	Nut, Hex lock, 1/4-20
22	712-0703A	2	/P	Nut, Insert 5/16-18
23	736-0300	1	S	Flat Washer, .406 x .875 x .059
24	738-3056	1	S	Shoulder Bolt, 3/8-16 x .50D x 2.0
25	731-04174	1		Handle, Bag w/Screw
26	732-04109	1	S	Spring, Gas .91 Stroke
27	736-0176	2	S	Washer, Flat .265 x .938 x .120
28	736-0231	2	S	Washer, Flat .344 x 1.125 x .120
29	741-0248	4		Flange Bearing, .51
30	728-04004	10	S	Pop Rivet, .188
31	731-04520	1	S	Fender, Rear RH, Camo
32	731-04521	1	S	Fender, Rear LH, Camo
33	736-0400	10	S	Flat Washer, .194 x .62 x .063
34	750-0807	1		Spacer, .385 x .625 x .700
35	714-0111	1	S	Cotter Pin



Relay Center



Fuse Box