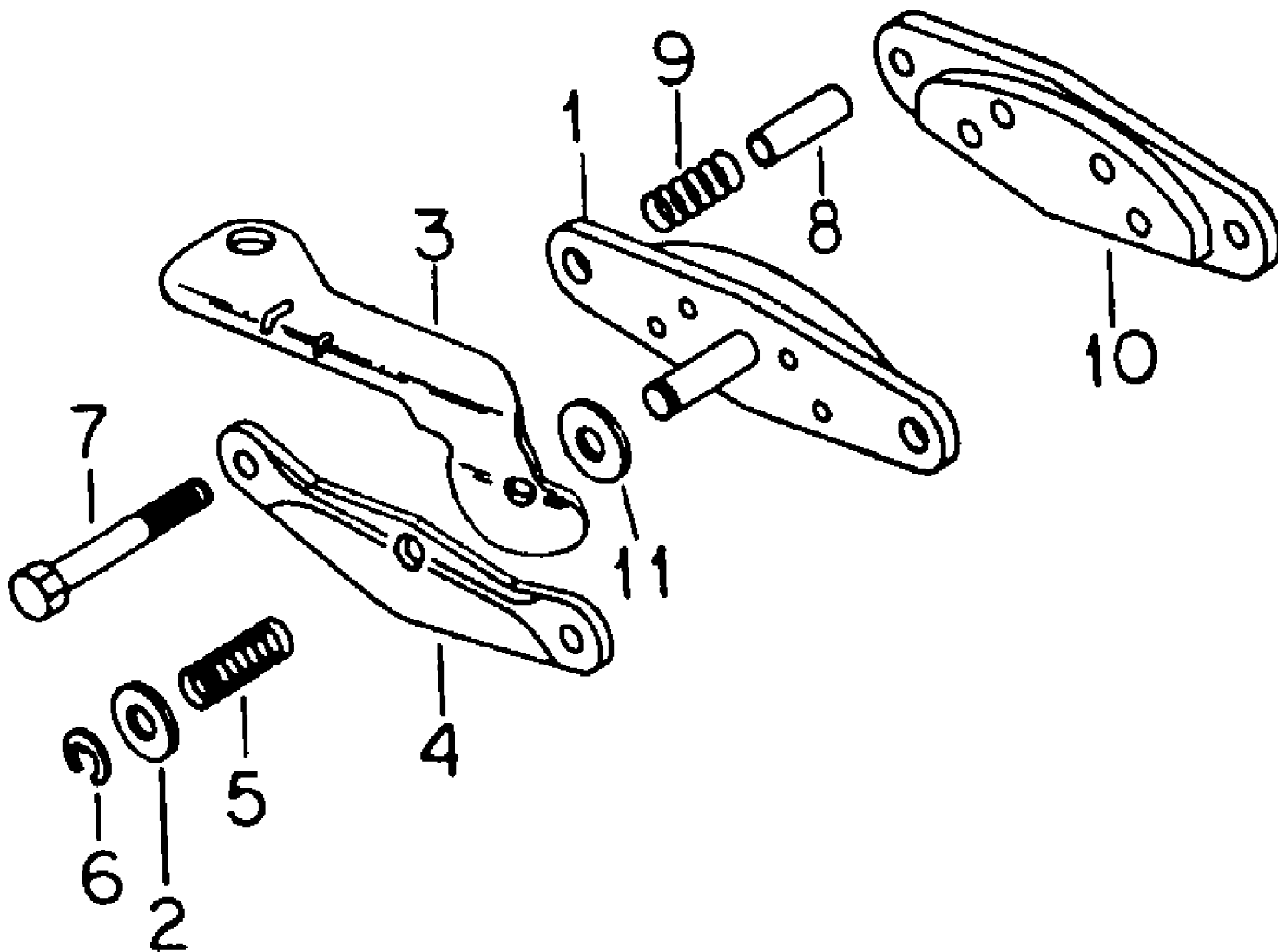


382 Gear & 383 Hydro
Air Cleaner

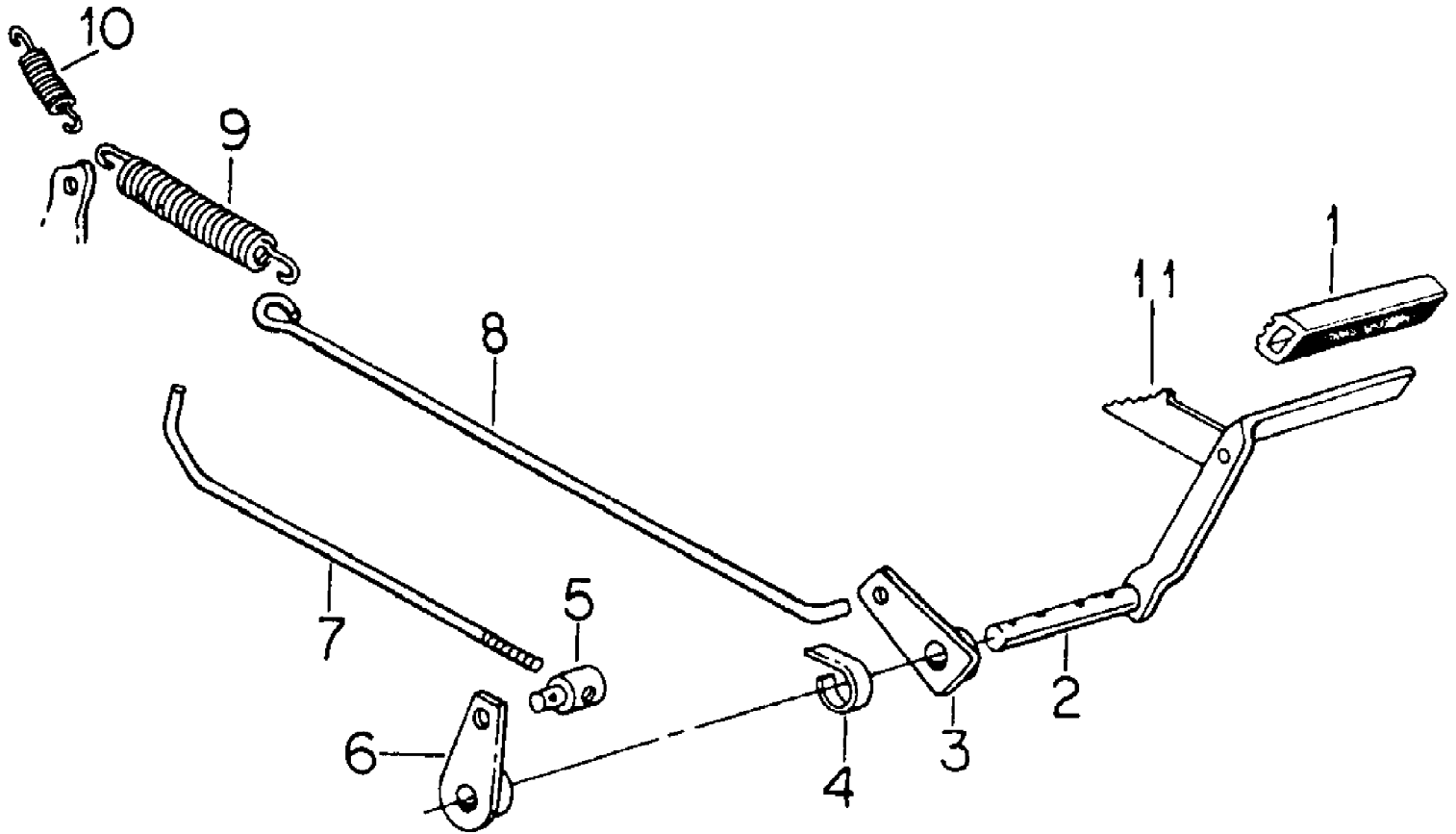
Page 2 of 80

Ref #	Part Number	Qty	S/P/F	Description
1	BS-391786	1		Cleaner Assy, Air
	IH-77661-C1	1		Support, Air Cleaner
2	BS-270853	1	/P	Gasket, Air Cleaner
3	BS-270843	1	S	Element
4	BS-93622	1		Screw, Air Cleaner
5	BS-93323	1		Screw, Air Cleaner

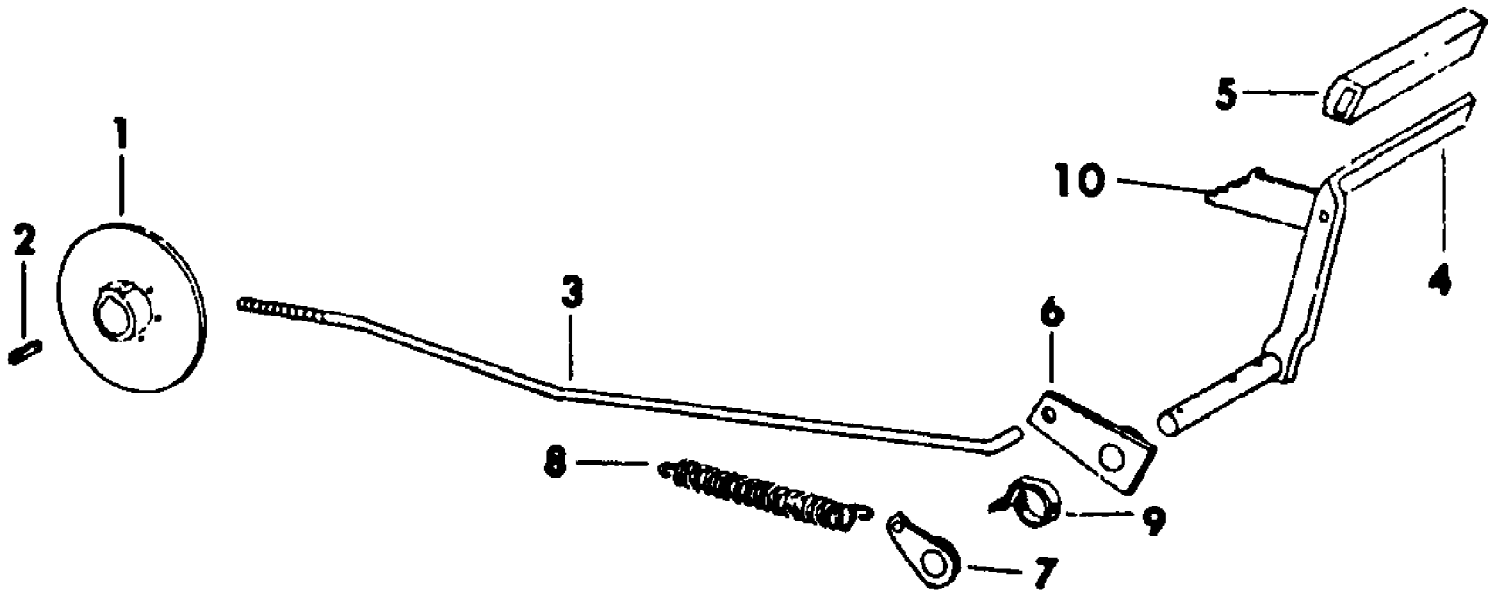


Ref #	Part Number	Qty	S/P/F	Description
1		1		Order Kit 759-3393
2	HH-03-03017	1		Washer, Thrust
3	HH-C-18-02434	1		Cam
4	HH-C-14-03286	1		Plate, Actuator
5	HH-A-06-03031	2		Spring, Compression
6	716-0108	1	S	Ring, Retaining
7	HH-01-03443	2	S	Screw, 1/4-20 X 2 Phc Hex Hd Cap
	712-0107	1	S	Nut, 1/4 Cad P/T Lock Type 8
8		1		Order Kit IH-107027-C1
9	HH-A-06-03314	2		Spring, Return
10		1		Order Kit 759-3393
11		1		Order Kit IH-107027-C1
	759-3393	1	/P	Kit Includes Brake Relining Bushing Washer, Flat Plate Assy, Stud Plate Assy, Side Instructions, Installing
	IH-107027-C1	1		Kit Includes Brake Spacer Washer, Flat Bushing Instructions, Installing

382 Gear & 383 Hydro
Brake Controls-382 Gear Drive S/N 70001 & Up



Ref #	Part Number	Qty	S/P/F	Description
1	724-3001	1		Pad, Pedal (Serial Number 74457 and Below)
	724-3000	1	S	Pad, Pedal (Serial Number 74458 and Above)
2	703-0858	11		Pedal Assy, Clutch & Brake (Replaces 703-0856 on Tractors w/Serial No. 74457 and Below by Also Ordering Kit 759-3128, Grip 720-3004 and Pad 724-3000.)
	736-3028	1		Washer, .781 X 1.250 X .054
3	703-0278	1		Lever Assy, Foot Pedal Brake
	715-0134	1	S	Pin, 3/16 X 1-1/2 Hvy Pln Cld Spr
4	732-3024	1		Spring, Neutral Start
5	711-3116	1	/P	Pin, Adjustment
	736-0275	1	S	Washer, .344 X .688 X .051
	714-0507	1	S	Pin, 3/32 X 3/4 Cot
6	703-0280	1		Arm, Pivot
	715-0134	1	S	Pin, 3/16 X 1-1/2 Hvy Pln Cld Spr
7	747-3093	1	/P	Rod, Clutch
8	747-3072	1		Rod, Brake
	714-0507	1	S	Pin, 3/32 X 3/4 Cot
	736-0140	1	S	Washer, .406 X .812 X .051
9	732-3047	1	/P	Spring, Brake Tension
	732-0395	1	S	Spring, 1/2 X .251 Extension
	IH-22256-R1	1		Washer, .281 X .500 X .056 Pin
10	732-0395	1	S	Spring, 1/2 X .251 Extension
	IH-22256-R1	1		Washer, .281 X .500 X .056 Pln
11		1		Ratchet, Brake Lock (Serial Number 74457 and Below Order Pedal 703-0858, Kit 759-3128, Grip 720-3004 and Pad 724-3000.)
		1		Ratchet, Brake Lock (Serial Number 74458 and Above Order Kit 759-3128)
	720-3004	1		Grip, Brake Lock Ratchet (Serial Number 74458 and Above)
	759-3128	1		Kit, Brake Lock (Serial Number 74458 and Above)
		1		Ratchet
		1		Nut
		1		Washer, Bell
		1		Washer, Flat



382 Gear & 383 Hydro
Brakes & Connections

Ref #	Part Number	Qty	S/P/F	Description
1	761-3001	1		Disc and Hub Assy
	750-3008	4		Washer, .281 X .750 X .105
	712-0375	1	/P	Nut, 3/8 Cad P/T Lock Type
2	714-0868	1	S	Key, 3/16 X 3/4 SAE 9 Woodruff
3	747-3045	1		Rod, Brake
	714-0507	1	S	Pin, 3/32 X 3/4 Cot
	736-0140	1	S	Washer, .406 X .812 X .051
4	703-0859	1		Pedal Assy, Clutch and Brake (Replaces IH-538866-R1 on Tractors w/Serial No. 74457 and Below By Also Ord
	736-3028	1		Washer, .781 X 1.250 X .054
5	724-3001	1		Pedal, Foot
	724-3000	1	S	Pad, Pedal (Serial Number 74458 and Above)
6	703-0278	1		Lever Assy, Foot Pedal Brake
	715-0134	1	S	Pin, 3/16 X 1-1/2 Hvy Pln Cld Spr
7	703-0280	1		Brake Assy
	715-0134	1	S	Pin, 3/16 X 1-1/2 Hvy Pln Cld Spr
8	732-3019	1	/P	Spring, Extension
9		1		Not used in this application
10		1		Ratchet, Brake Lock (Serial Number 74457 and Below Order Pedal 703-0859, Kit 703-0859 & Pad 720
		1		Ratchet, Brake Lock (Serial Number 74458 and Above Order Kit 759-3128)
	720-3004	1		Grip, Brake Lock Ratchet (Serial Number 74458 and Above)
	759-3128	1		Kit, Brake Lock (Serial Number 74458 and Above) Ratchet Nut Washer, Bell Washer, Flat