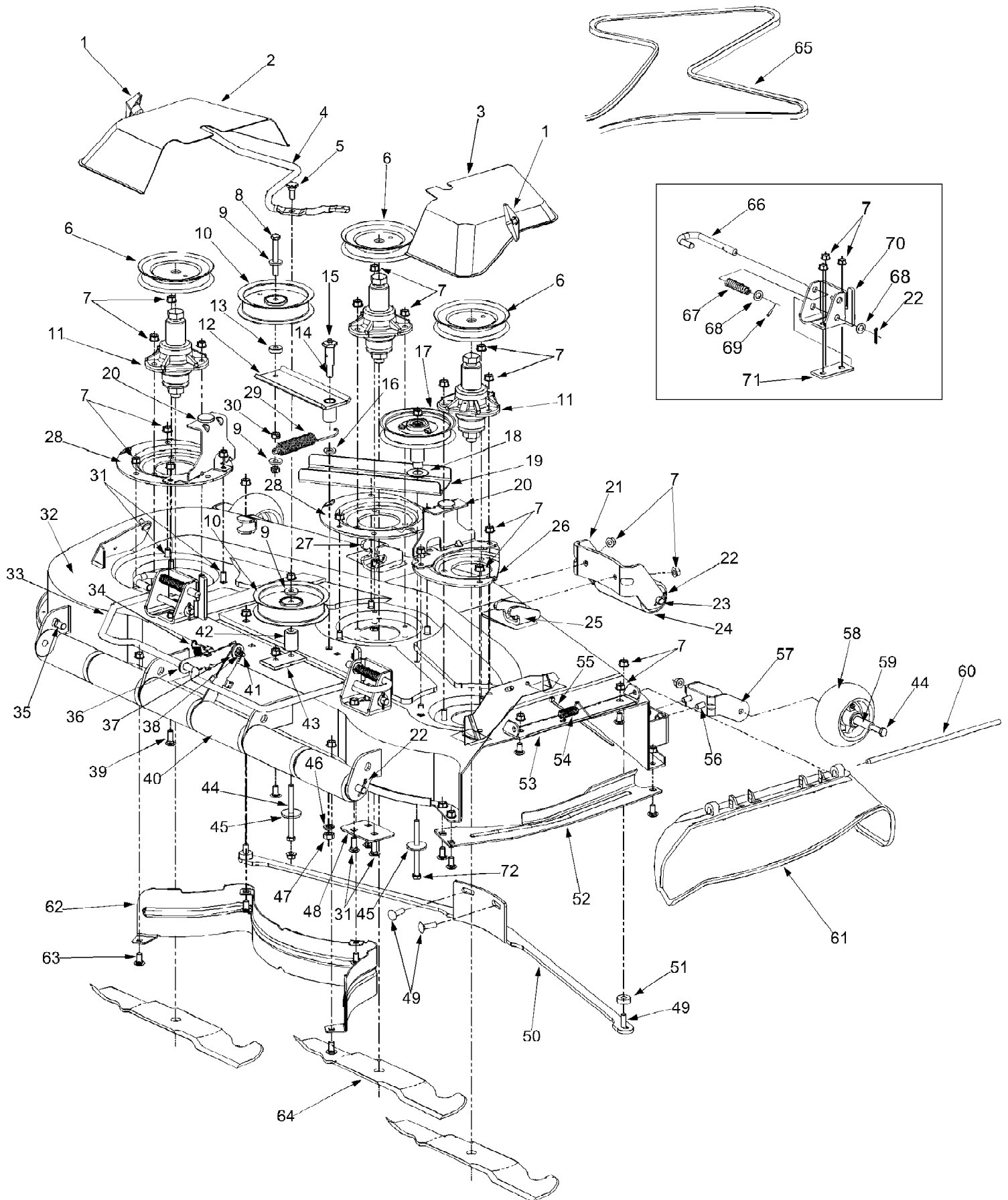


365L (2001)
54" Deck Assembly



365L (2001)
54" Deck Assembly

Page 2 of 36

| Ref # | Part Number | Qty | S/P/F | Description |
|-------|-------------|-----|-------|-----------------------------------|
| 1 | 720-0241 | 1 | S | Wing Nut Knob |
| 2 | 703-2817 | 1 | | Belt Cover LH |
| 3 | 703-2816 | 1 | | Belt Cover RH |
| 4 | 747-3306 | 1 | | Idler Spring Mounting Rod |
| 5 | 738-0380 | 1 | S | Shoulder Screw 3/8-16 |
| 6 | 756-3106 | 1 | | Pulley |
| 7 | 712-0431 | 1 | S | Flange Lock Nut 3/8-16 |
| 8 | 710-0521 | 1 | /P | Hex Cap Screw 3/8-16 x 3.0 |
| 9 | 736-0258 | 1 | /P | Flat Washer .385 ID x 1.0 OD |
| 10 | 756-3105 | 1 | | Idler Pulley 5.0 |
| 11 | 603-0690 | 1 | | Deck Spindle Ass'y |
| 12 | 603-0469A | 1 | S | Idler Bearing Arm Ass'y |
| 13 | 711-0242 | 1 | S | Spacer |
| 14 | 738-3108 | 1 | /P | Shoulder Bolt |
| 15 | 737-0280 | 1 | S | Grease Fitting |
| 16 | 736-3015 | 1 | S | Flat Washer .469 ID x .875 OD |
| 17 | 603-0407 | 1 | | Idler Pulley Ass'y 5.0 |
| 18 | 736-0316 | 1 | S | Flat Washer .78 ID x 1.59 OD |
| 19 | 703-2849 | 1 | S | Channel |
| 20 | 703-0326 | 1 | | Front End Deck Bracket LH |
| 21 | 703-2091A | 1 | /P | Front Roller Bracket |
| 22 | 714-0115 | 1 | S | Cotter Pin |
| 23 | 711-3314 | 1 | S | Roller Pin |
| 24 | 731-3005 | 1 | /P | Roller |
| 25 | 703-2430 | 1 | | Front End Deck Bracket RH |
| 26 | 703-2090 | 1 | | Reinforcement Disk RH |
| 27 | 703-2767 | 1 | | Front End Deck Bracket LH |
| 28 | 703-2089A | 1 | S | Reinforcement Disk |
| 29 | 732-0971 | 1 | | Extension Spring |
| 30 | 712-0375 | 1 | /P | Lock Nut 3/8-16 |
| 31 | 710-3168 | 1 | /P | Carriage Bolt 3/8-16 |
| 32 | 603-0325 | 1 | | Mower Deck Ass'y |
| 33 | 747-3297A | 1 | /P | Deck Support Rod |
| 34 | 732-0395 | 1 | S | Extension Spring .50 OD x 2.51 Lg |
| 35 | 711-1103 | 1 | | Pin Roller |
| 36 | 703-2929 | 1 | S | Deck Support Link |
| 37 | 736-0231 | 1 | S | Flat Washer .344 ID x 1.125 OD |
| 38 | 712-3004A | 1 | /P | Flange Lock Nut 5/16-18 |
| 39 | 710-3168 | 1 | /P | Carriage Bolt 3/8-16 |
| 40 | 731-3005 | 1 | /P | Roller |
| 41 | 738-0296 | 1 | S | Shoulder Screw |
| 42 | 750-3243 | 1 | | Spacer |
| 43 | 703-3381 | 1 | | Idler Support Plate |
| 44 | 710-0944 | 1 | /P | Hex Cap Screw 3/8-16 x 4.25 |
| 45 | 736-0227 | 1 | S | Flat Washer |
| 46 | 736-0171 | 1 | S | Lock Washer 7/16 |
| 47 | 712-3019 | 1 | S | Hex Nut 7/16-14 |
| 48 | 703-2988 | 1 | S | Support Plate |
| 49 | 710-3034 | 1 | /P | Carriage Screw 3/8-16 x 1.25 |
| 50 | 603-0144 | 1 | | Front Bar |
| 51 | 750-3119 | 1 | /P | Spacer |
| 52 | 703-2099 | 1 | S | Finger Guard |
| 53 | 703-2392 | 1 | S | Bracket |

365L (2001)

Page 3 of 36

54" Deck Assembly

| Ref # | Part Number | Qty | S/P/F | Description |
|-------|-------------|-----|-------|------------------------------|
| 54 | 732-3070 | 1 | S | Torsion Spring |
| 55 | 725-0157 | 1 | /P | Cable Tie |
| 56 | 710-3001 | 1 | /P | Hex Cap Screw 3/8-16 x .880 |
| 57 | 703-2410 | 1 | | Castor Bracket |
| 58 | 634-3159 | 1 | /P | Wheel Complete |
| 59 | 750-3193 | 1 | /P | Spacer |
| 60 | 711-3318 | 1 | /P | Hinge Pin |
| 61 | 731-3131 | 1 | S | Deflector Chute |
| 62 | 703-2093 | 1 | | Inner Baffle |
| 63 | 710-3178 | 1 | /P | Carriage Bolt 3/8 - 16 |
| 64 | 742-3013 | 1 | S | Blade |
| 65 | 754-3078 | 1 | S | Belt |
| | 754-3083 | 1 | S | Belt |
| 66 | 747-3013 | 1 | /P | Support Pin |
| 67 | 732-0802 | 1 | | Compression Spring |
| 68 | 736-0160 | 1 | S | Flat Washer .536 ID x .93 OD |
| 69 | 715-3003 | 1 | /P | Spring Pin |
| 70 | 603-0351 | 1 | | Rear Hanger Bracket LH |
| | 603-0350 | 1 | | Rear Hanger Bracket RH |
| 71 | 703-2683 | 1 | S | Rear Hanger Bracket Spacer |
| 72 | 710-0693 | 1 | /P | Hex Cap Screw 3/8-16 x 4.5 |