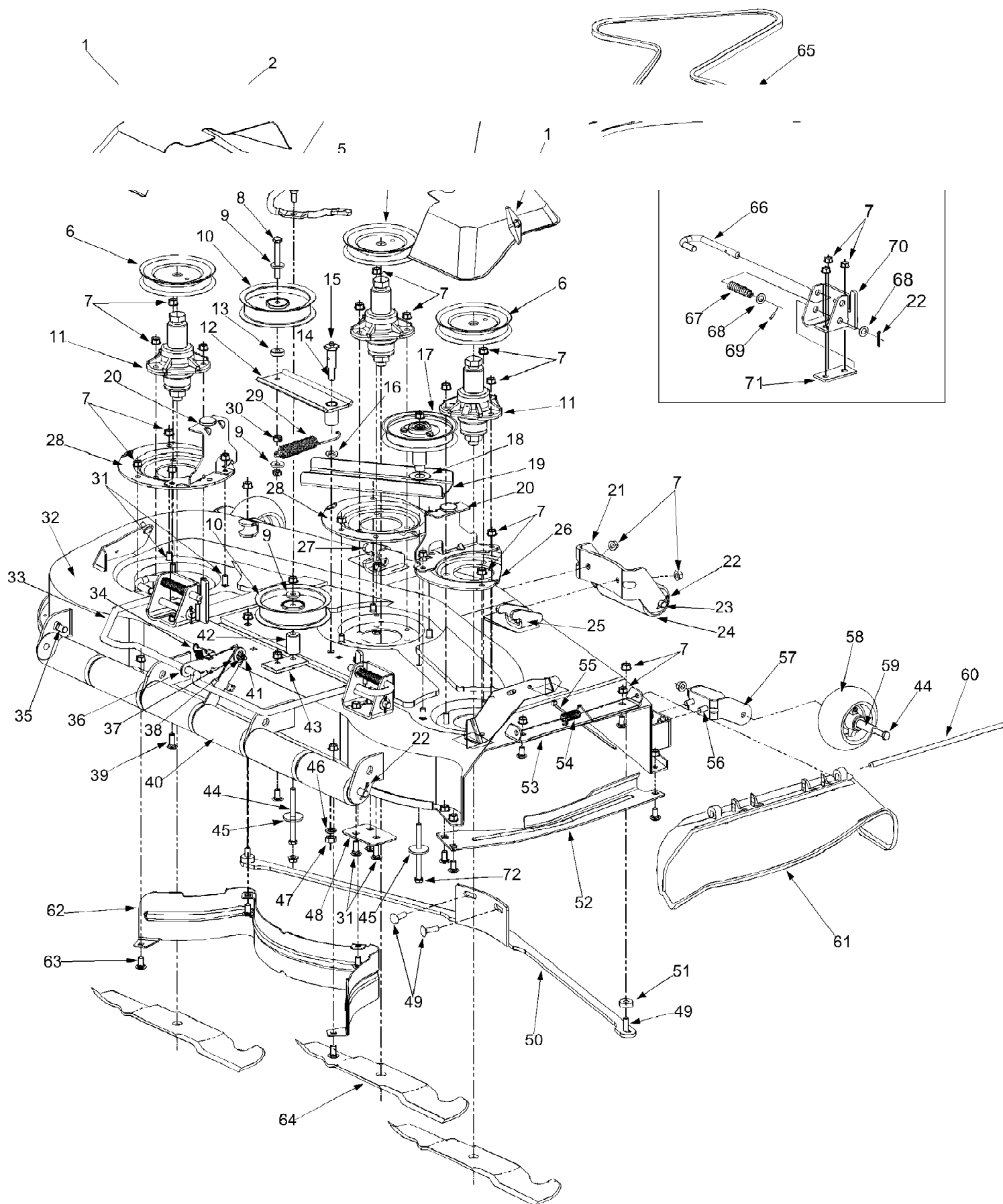


365 (2001)
54" Deck Assembly



365 (2001)
54" Deck Assembly

Page 2 of 36

Ref #	Part Number	Qty	S/P/F	Description
1	720-0241	1	S	Wing Nut Knob
2	703-2817	1		Belt Cover LH
3	703-2816	1		Belt Cover RH
4	747-3306	1		Idler Spring Mounting Rod
5	738-0380	1	S	Shoulder Screw 3/8-16
6	756-3106	1		Pulley
7	712-0431	1	S	Flange Lock Nut 3/8-16
8	710-0521	1	/P	Hex Cap Screw 3/8-16 x 3.0
9	736-0258	1	/P	Flat Washer .385 ID x 1.0 OD
10	756-3105	1		Idler Pulley 5.0
11	603-0690	1		Deck Spindle Ass'y
12	603-0469A	1	S	Idler Bearing Arm Ass'y
13	711-0242	1	S	Spacer
14	738-3108	1	/P	Shoulder Bolt
15	737-0280	1	S	Grease Fitting
16	736-3015	1	S	Flat Washer .469 ID x .875 OD
17	603-0407	1		Idler Pulley Ass'y 5.0
18	736-0316	1	S	Flat Washer .78 ID x 1.59 OD
19	703-2849	1	S	Channel
20	703-0326	1		Front End Deck Bracket LH
21	703-2091A	1	/P	Front Roller Bracket
22	714-0115	1	S	Cotter Pin
23	711-3314	1	S	Roller Pin
24	731-3005	1	/P	Roller
25	703-2430	1		Front End Deck Bracket RH
26	703-2090	1		Reinforcement Disk RH
27	703-2767	1		Front End Deck Bracket LH
28	703-2089A	1	S	Reinforcement Disk
29	732-0971	1		Extension Spring
30	712-0375	1	/P	Lock Nut 3/8-16
31	710-3168	1	/P	Carriage Bolt 3/8-16
32	603-0325	1		Mower Deck Ass'y
33	747-3297A	1	/P	Deck Support Rod
34	732-0395	1	S	Extension Spring .50 OD x 2.51 Lg
35	711-1103	1		Pin Roller
36	703-2929	1	S	Deck Support Link
37	736-0231	1	S	Flat Washer .344 ID x 1.125 OD
38	712-3004A	1	/P	Flange Lock Nut 5/16-18
39	710-3168	1	/P	Carriage Bolt 3/8-16
40	731-3005	1	/P	Roller
41	738-0296	1	S	Shoulder Screw
42	750-3243	1		Spacer
43	703-3381	1		Idler Support Plate
44	710-0944	1	/P	Hex Cap Screw 3/8-16 x 4.25
45	736-0227	1	S	Flat Washer
46	736-0171	1	S	Lock Washer 7/16
47	712-3019	1	S	Hex Nut 7/16-14
48	703-2988	1	S	Support Plate
49	710-3034	1	/P	Carriage Screw 3/8-16 x 1.25
50	603-0144	1		Front Bar
51	750-3119	1	/P	Spacer
52	703-2099	1	S	Finger Guard
53	703-2392	1	S	Bracket

365 (2001)

Page 3 of 36

54" Deck Assembly

Ref #	Part Number	Qty	S/P/F	Description
54	732-3070	1	S	Torsion Spring
55	725-0157	1	/P	Cable Tie
56	710-3001	1	/P	Hex Cap Screw 3/8-16 x .880
57	703-2410	1		Castor Bracket
58	634-3159	1	/P	Wheel Complete
59	750-3193	1	/P	Spacer
60	711-3318	1	/P	Hinge Pin
61	731-3131	1	S	Deflector Chute
62	703-2093	1		Inner Baffle
63	710-3178	1	/P	Carriage Bolt 3/8 - 16
64	742-3013	1	S	Blade
65	754-3078	1	S	Belt
	754-3083	1	S	Belt
66	747-3013	1	/P	Support Pin
67	732-0802	1		Compression Spring
68	736-0160	1	S	Flat Washer .536 ID x .93 OD
69	715-3003	1	/P	Spring Pin
70	603-0351	1		Rear Hanger Bracket LH
	603-0350	1		Rear Hanger Bracket RH
71	703-2683	1	S	Rear Hanger Bracket Spacer
72	710-0693	1	/P	Hex Cap Screw 3/8-16 x 4.5