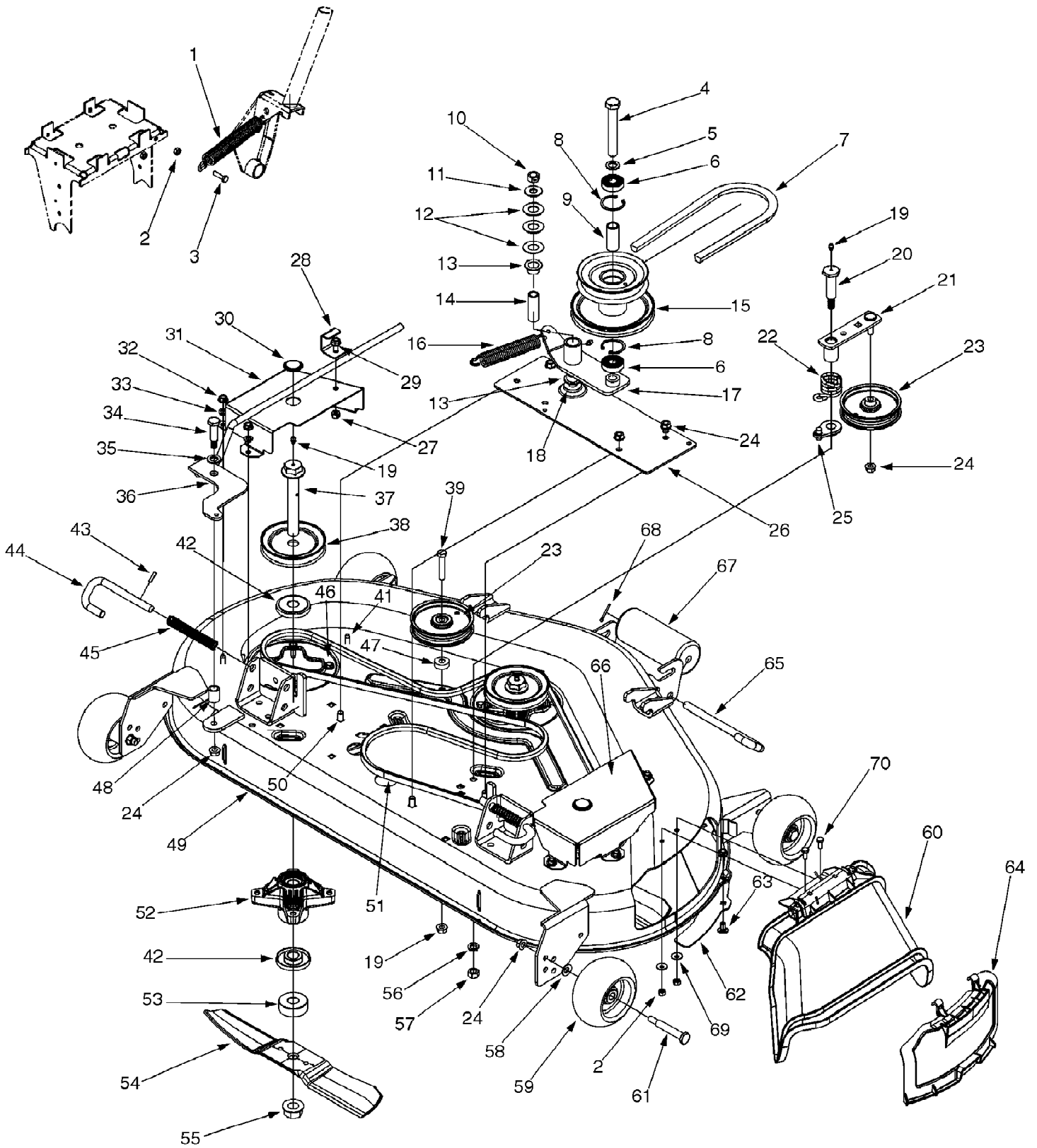


364
44" Deck Assembly



Ref #	Part Number	Qty	S/P/F	Description
1	732-0556	1	S	Extension Spring .94 OD x 7.57
2	712-3006	1	/P	Hex Nut 1/4-20
3	710-0597	1	/P	Hex Cap Screw 1/4-20 x 1.0
4	710-3151	1	/P	Hex Cap Screw 5/8-18 x 4.25
5	736-0290	1	/P	Flat Washer 5/8 ID x 1.0 OD
6	741-0524	1	S	Bearing .625 ID x 1.574 OD
7	754-3091	1	S	Belt
8	716-3020	1	S	Snap Ring
9	750-3164	1		Spacer .635 ID x 2.0
10	712-0239	1	S	Hex Lock Nut 1/2-20
11	736-0179	1	S	Flat Washer 1/2 x 1.25
12	736-0188	1	/P	Flat Washer .76 ID x 1.49 OD
13	741-0338	1	/P	Flange Bearing 3/4 ID x .52
14	750-0656	1	/P	Spacer .50 OD x .75 ID
15	756-3108	1		Pulley
16	732-0850	1	S	Extension Spring 1.0 OD x 6.140
17	603-0743	1	S	Idler Assembly
18	736-0100	1	/P	Flat Washer .531 ID x 1.25 OD
19	737-3000	1	S	Grease Fitting
20	738-3172	1		Shoulder Screw
21	603-0741	1		Idler Arm Assembly
22	732-3067	1		Torsion Spring
23	756-3005	1	/P	Flat Pulley
24	712-0431	1	S	Flange Lock Nut 3/8-16
25	748-3100	1		Retainer Spring
26	603-0763	1	S	Deck Mounting Plate Assembly
27	712-3004A	1	/P	Flange Lock Nut 5/16-18
28	703-2559	1		Stop Bracket
29	710-3008	1	/P	Hex Cap Screw 5/16-18 x .75
30	726-3045	1	/P	Button Plug
31	703-3742	1		Belt Cover LH
32	712-3010	1	S	Hex Nut 5/16-18
33	736-0119	1	S	Lock Washer 5/16
34	738-0213	1	/P	Shoulder Screw .498 x 1.445
35	736-0192	1	S	Flat Washer .531 x .93
36	603-0766	1	S	Handle Assembly
37	710-1693	1	F	Spindle Bolt 3/4-16 x 5
	710-1852	1	F	Spindle Bolt 3/4-16 x 5 3/8
38	756-3089	1		Pulley
39	710-3144	1	/P	Hex Cap Screw 3/8-16 x 2.0
41	710-1611	1	S	Screw 5/16-18 x .750
42	748-3065	1	S	Spindle Spacer
43	715-3003	1	/P	Pin
44	747-3013	1	/P	Support Pin
45	732-0802	1		Compression Spring .63 OD x 6.3
46	710-1260A	1	/P	Hex Washer Screw 5/16-18 x .750
47	750-3119	1	/P	Spacer .406 ID x 1.0 OD
48	750-0150	1		Spacer .550 ID x .750 OD
49	603-0734	1		Deck Assembly
50	710-3178	1	/P	Carriage Bolt 3/8-16 x .75
51	754-3039	1	S	Belt
52	918-3129	1	S	Spindle Assembly
53	748-3101	1	F	Blade Spacer .31 Thk

364
44" Deck Assembly

Page 3 of 43

Ref #	Part Number	Qty	S/P/F	Description
	948-3020	1	/P/F	Blade Spacer .70 Thk
54	742-3036	1	S	Blade
	759-3949	1		High Lift Blade For Discharge Spindle (Optional)
55	712-3078	1	/P	Hex Flange Nut 3/4-16
56	736-0171	1	S	Lock Washer 7/16
57	712-3019	1	S	Hex Nut 7/16-14
58	736-0105	1	/P	Bell Washer .401 ID x .870 OD
59	703-1890	1	S	Deck Wheel
60	631-0094	1	S	Chute Assembly
61	738-3056	1	S	Shoulder Screw 1/2 x 2.5
62	703-3359	1		Skirt Baffle
63	710-0260	1	S	Carriage Bolt 5/16-18 x .62
64	731-3316	1		Mulching Plug
65	711-3314	1	S	Roller Pin
66	703-3743	1		Belt Cover RH
67	731-3005	1	/P	Front Roller
68	714-0115	1	S	Pin
69	736-0270	1	/P	Bell Washer .265 ID x .75 OD
70	710-0751	1	/P	Hex Cap Screw 1/4-20 x .620

44" Deck Spindle Assembly

