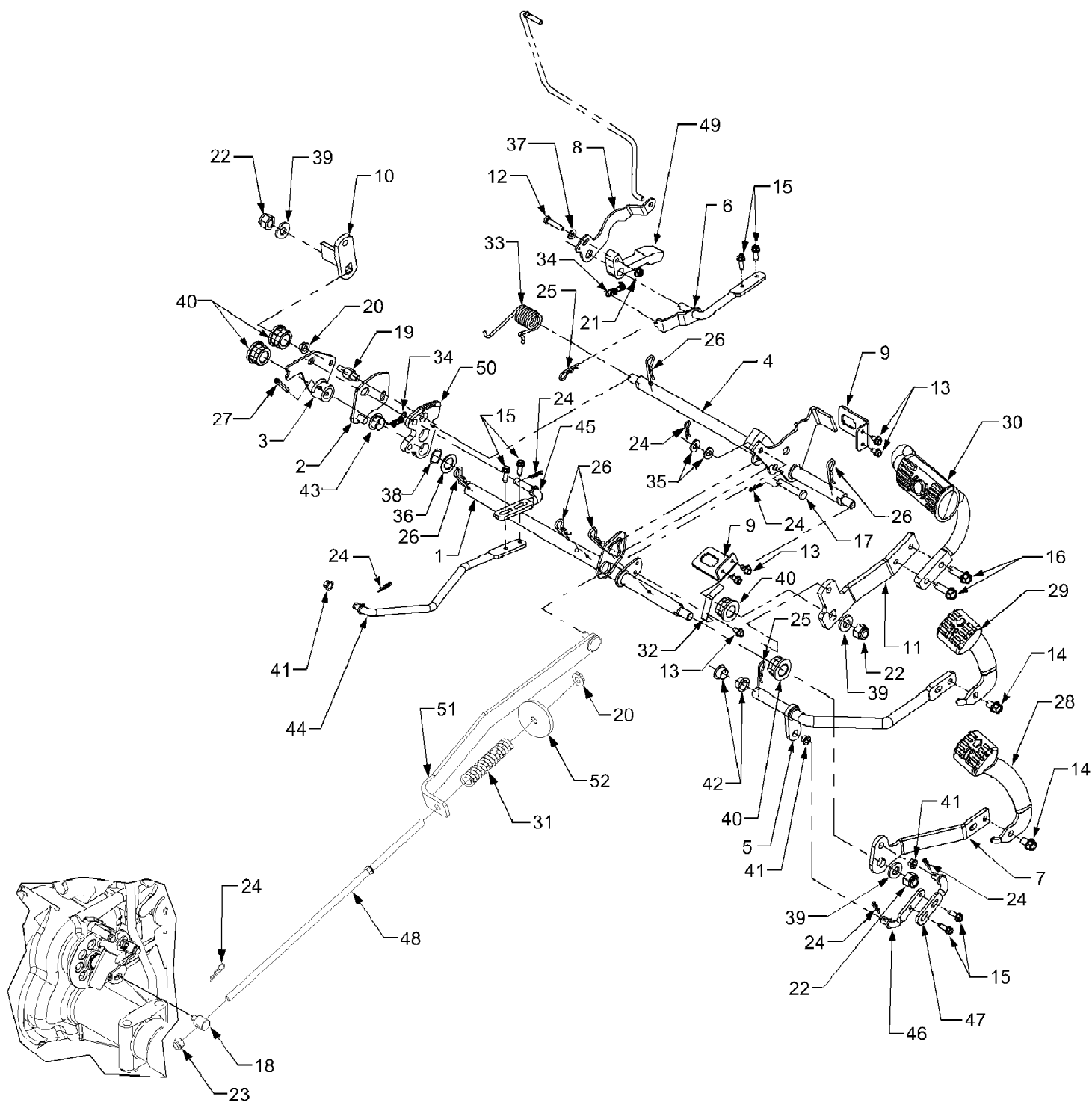
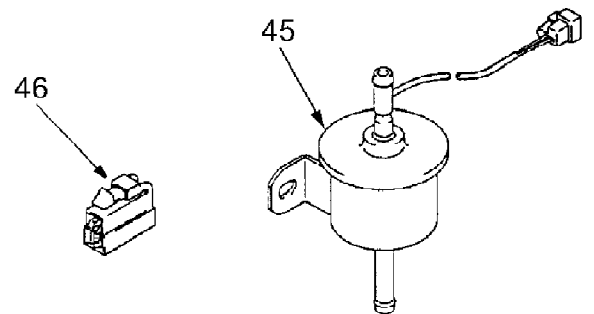
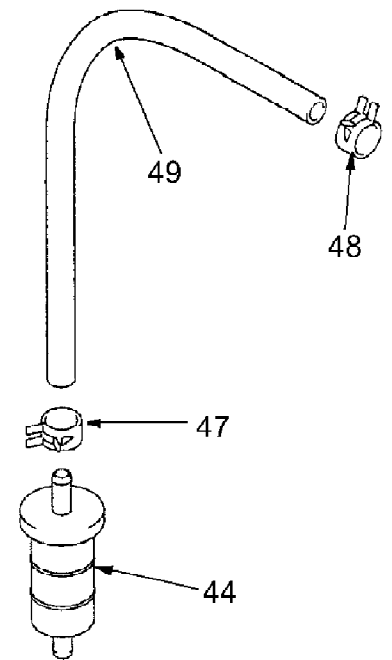
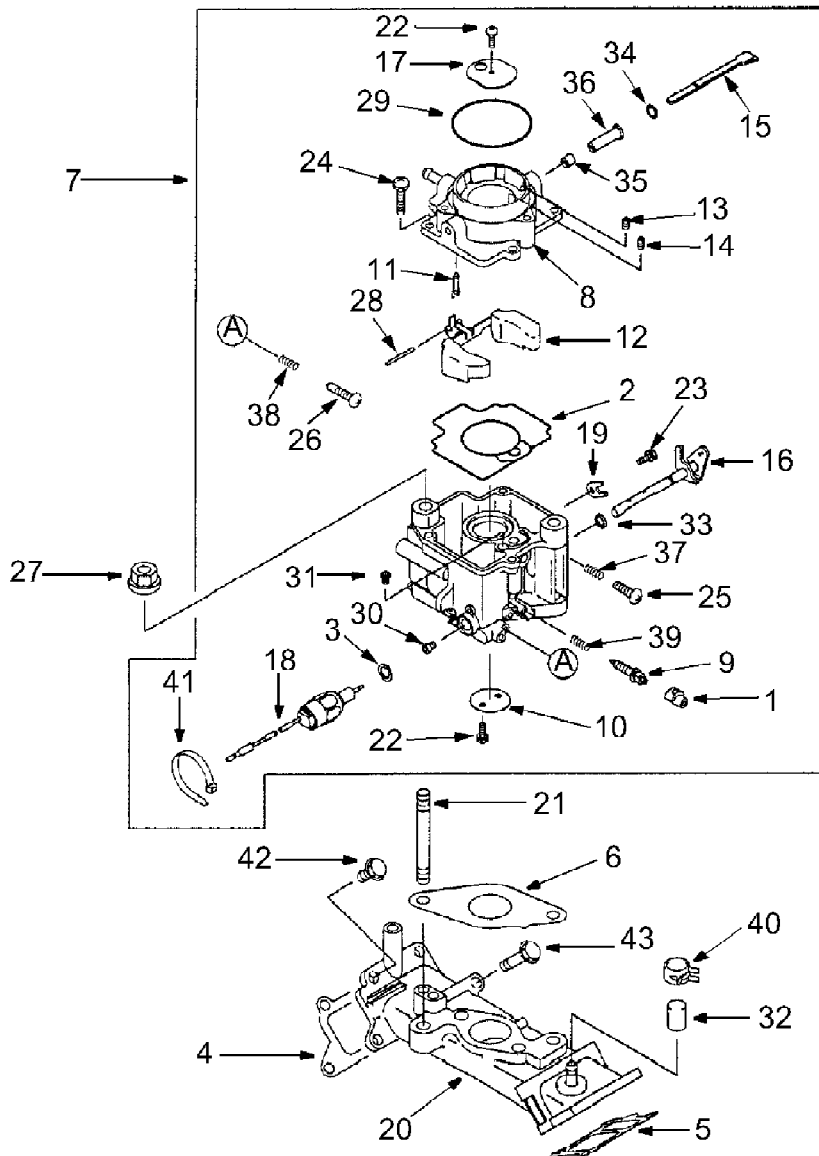


Ref #	Part Number	Qty	S/P/F	Description
1	KM-11011-2239	1	S	Case, Air Filter
2	KM-11011-2259	1	/P	Base, Air Filter
3	KM-11013-2114	1		Element, Foam
4	KM-11013-2139	1	S	Element, Air Filter
5	KM-11029-2005	1	S	Air Filter Ass'y (Incl. Ref. 3 & 4)
6	KM-11047-20579H	1		Bracket
7	KM-11047-21119H	1		Bracket, Air Filter
8	KM-11060-2079	2		Gasket, Muffler
9	KM-92002-2230	2		Bolt
10	KM-92143-2178	3		Collar, 5.1 x 6.3 x 14
11	KM-92143-2189	4		Collar, 6.2 x 7.8 x 7.5
12	KM-92191-2010	1	/P	Tube
13	KM-92200-20599H	2		Washer
14	KM-234B0525	3		Screw, Pan, WSP
15	KM-242B0516	4		Screw, Pan
16	KM-311G0600	4		Nut, Hex
17	KM-461F0600	4		Washer, Spring



Ref #	Part Number	Qty	S/P/F	Description
1	603-0379	1		Shaft Assembly, Pedal
2	603-0421A	1	/P	Plate, Disengagement
3	603-0437-0637	1	/P	Cam, Clutch
4	603-0445A	1		Shaft Assembly, Brake
5	603-0449	1		Shaft Assembly, Reverse
6	603-0634	1		Rod Assembly, Cruise
7	703-3012-0716	1		Link, Pedal Mounting
8	703-3020-0637	1		Bracket, Rod Adjust
9	703-3152-0637	2		Bracket, Switch
10	603-0733-0716	1		Lever, Brake Diff Lock
11	703-3156-0716	1	S	Link, Brake Pedal
12	710-0106	1	/P	Screw, Hex Cap, 1/4-20 x 1.25 GR5
13	710-0599	5	/P	Screw, Hex Wash. Hd. Tapp 1/4-20 x .5
14	710-0623	2	/P	Screw, Hex Wash. Hd. Tapp 3/8-16 x .75
15	710-0642	6	/P	Screw, Hex Wash. Hd. Tapp 1/4-20 x .75
16	710-1315	2	/P	Screw, Hex Wash. Hd. Tapp 3/8-16 x 1.25
17	711-0679A	1	/P	Pin, Clevis, 3/8 x 2.015
18	711-1530	1		Ferrule, Adjust
19	711-1138	1		Stud, Actuator
20	712-3004A	2	/P	Nut, Hex Flange Lock, 5/16-18
21	712-3027	1	S	Nut, Hex Flange Lock, 1/4-20
22	712-3058	3	S	Nut, Hex Insert Lock, 1/2-20
23	712-0429	1	S	Nut, Hex Insert Lock, 5/16-18
24	714-0104	7	S	Pin, Internal Cotter
25	714-0145	2	S	Pin, Internal Cotter
26	714-0147	5	/P	Pin, Internal Cotter
27	715-0114	1	S	Pin, Spiral Spring, .25 x 1.5
28	731-3247	1		Pedal, Forward
29	731-3248	1		Pedal, Reverse
30	731-3249	1	S	Pedal, Brake
31	732-0324	1		Spring, Compression
32	732-0859	1	S	Spring, No Cut Reverse
33	732-0871	1		Spring, Torsion.
34	732-3118	2		Spring, Extension, .380 OD x 1.44
35	736-0275	2	S	Washer, Flat, .344 x .688 x .065
36	736-0287	1	S	Washer, Flat, .79 x 1.24 x .060
37	736-0463	1	S	Washer, Flat, .25 x .62
38	736-0621	1		Washer, Wave, .785 x 1.0 x .012
39	736-3019	3		Washer, Flat, .531 x 1.06 x .134
40	741-0598	4	S	Bearing, Hex Flange
41	741-3073	3	S	Bearing, Flange
42	741-3074	2		Bearing, Flange
43	741-3084	1		Bearing, Flange
44	747-3319	1		Rod, Rear Control
45	747-3320	1		Rod, Front Control
46	747-3324	1		Rod, Rear Connecting
47	747-3353	1		Rod, Front Connecting
48	747-3422	1		Rod, Brake
49	748-3060	1		Cruise Latch
50	748-3080	1	S	Plate, Cruise
51	603-0738	1	S	Link Assembly, Brake
52	736-0418A	1	/P	Washer, Flat, .341 x 2.25 x .10



Ref #	Part Number	Qty	S/P/F	Description
1	KM-11012-2381	1		Cap
2	KM-11060-2072	1		Gasket
3	KM-11060-2073	1		Gasket
4	KM-11060-2087	1		Gasket, Intake Manifold
5	KM-11060-2088	1		Gasket, Intake Manifold
6	KM-11060-2090	1	S	Gasket, Carburetor
7	KM-15003-2481	1	S	Carburetor Ass'y
8	KM-16004-2051	1		Cap, Chamber
9	KM-16014-2077	1		Screw, Pilot Air
10	KM-16025-2163	1		Valve, Throttle
11	KM-16030-2089	1		Valve, Float
12	KM-16031-2071	1		Float
13	KM-16035-2073	1		Jet, Air, #1.8
14	KM-16035-2074	1		Jet, Air #0.9
15	KM-16041-2218	1		Shaft, Choke
16	KM-16041-2219	1		Shaft, Throttle
17	KM-16126-2185	1		Valve, Choke
18	KM-21188-2006	1	S	Solenoid, Fuel
19	KM-32085-2089	1		Stopper
20	KM-59076-6001	1		Manifold, Intake
21	KM-92009-2143	2		Stud
22	KM-92009-2330	3		Screw, 3 x 5.5
23	KM-92009-2331	1		Screw
24	KM-92009-2332	4		Screw
25	KM-92009-2333	1		Screw
26	KM-92009-2334	1		Screw
27	KM-92015-1143	2		Nut 8 MM
28	KM-92043-2196	1		Pin
29	KM-92055-2175	1		O-Ring, 49.4MM
30	KM-92063-2241	1		Jet, Main #112
31	KM-92064-2093	1		Jet, Pilot, #58
32	KM-92066-2096	1		Plug
33	KM-92093-2092	1		Seal, Throttle Shaft
34	KM-92093-2093	1		Seal, Choke Shaft
35	KM-92143-2191	1		Collar
36	KM-92143-2192	1		Collar
37	KM-92144-2306	1		Spring
38	KM-92144-2307	1		Spring
39	KM-92144-2397	1		Spring
40	KM-92170-2043	1		Clamp
41	KM-92170-2098	1		Clamp
42	KM-130B0620	5	S	Bolt, Flanged 6 x 20
43	KM-130B0645	3		Bolt, Flanged 6 x 45
44	KM-49019-1055	1	/P	Filter, Fuel
45	KM-49040-2065	1		Pump, Fuel
46	KM-59221-2156	1		Connector, Cord
47	KM-92037-2065	1	/P	Clamp
48	KM-92170-2082	1		Clamp
49	KM-705A061000	1		Tube, Braid