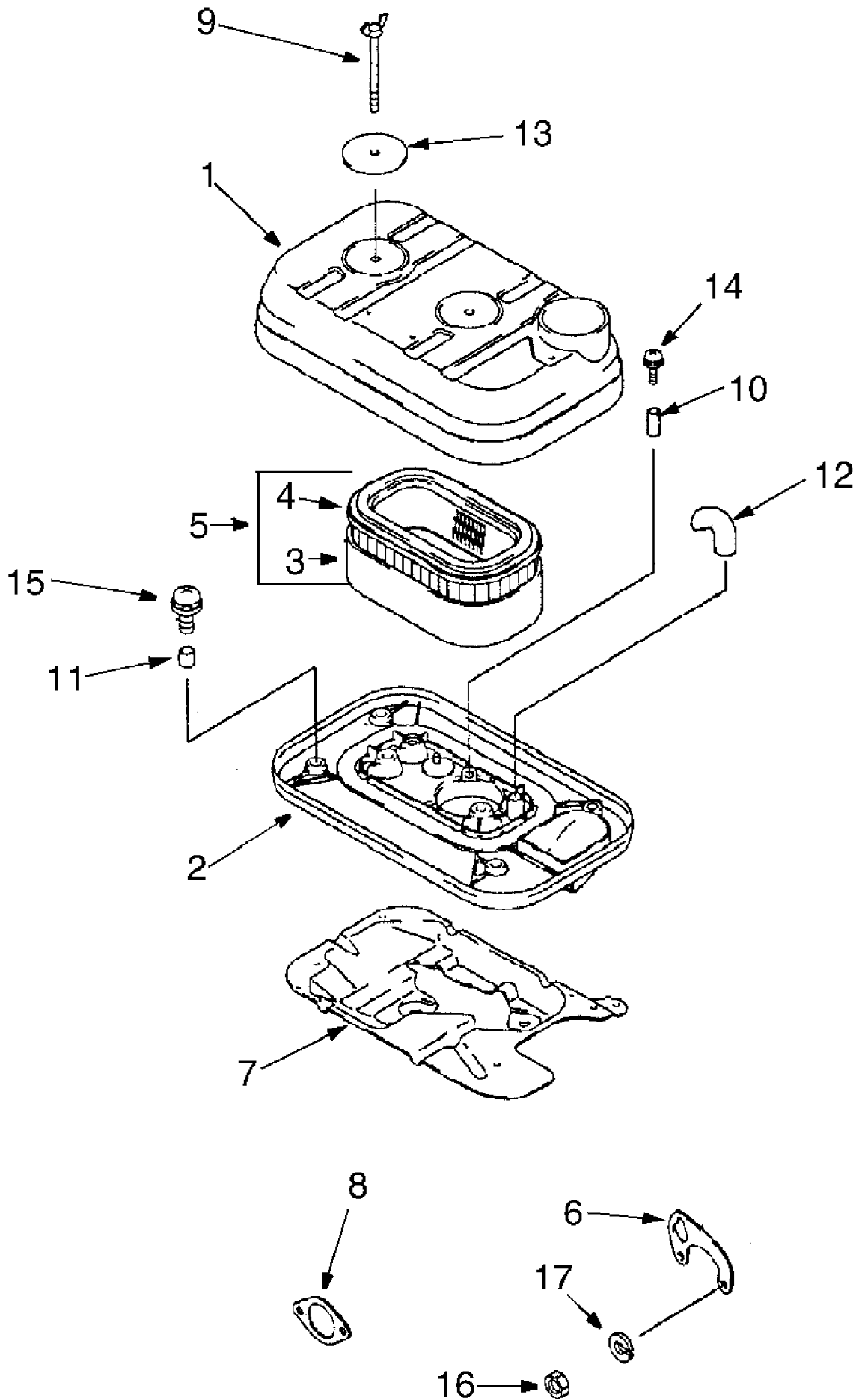


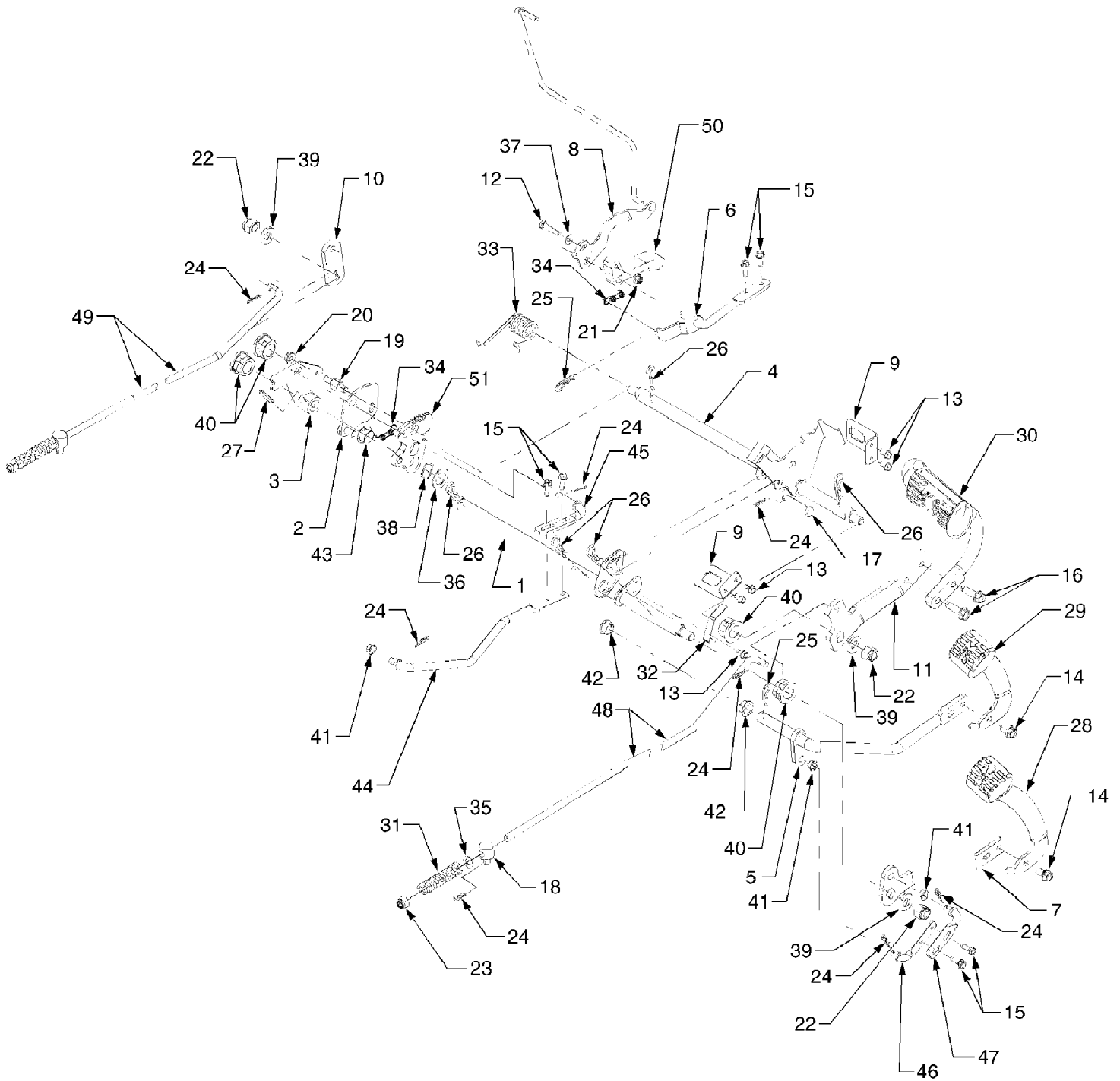
3205 Tractor
Air Filter/Muffler



3205 Tractor
Air Filter/Muffler

Page 2 of 66

Ref #	Part Number	Qty	S/P/F	Description
1	KM-11011-2239	1	S	Case, Air Filter
2	KM-11011-2259	1	/P	Base, Air Filter
3	KM-11013-2114	1		Element, Foam
4	KM-11013-2139	1	S	Element, Air Filter
5	KM-11029-2005	1	S	Air Filter Ass'y. (Incl. Ref. 3 & 4)
6	KM-11047-20579H	1		Bracket
7	KM-11047-21119H	1		Bracket, Air Filter
8	KM-11060-2079	2		Gasket, Muffler
9	KM-92002-2230	2		Bolt
10	KM-92143-2178	3		Collar, 5.1 x 6.3 x 14
11	KM-92143-2189	4		Collar, 6.2 x 7.8 x 7.5
12	KM-92191-2010	1	/P	Tube
13	KM-92200-20599H	2		Washer
14	KM-234B0525	3		Screw, Pan, WSP
15	KM-242B0516	4		Screw, Pan
16	KM-311G0600	4		Nut, Hex
17	KM-461F0600	4		Washer, Spring



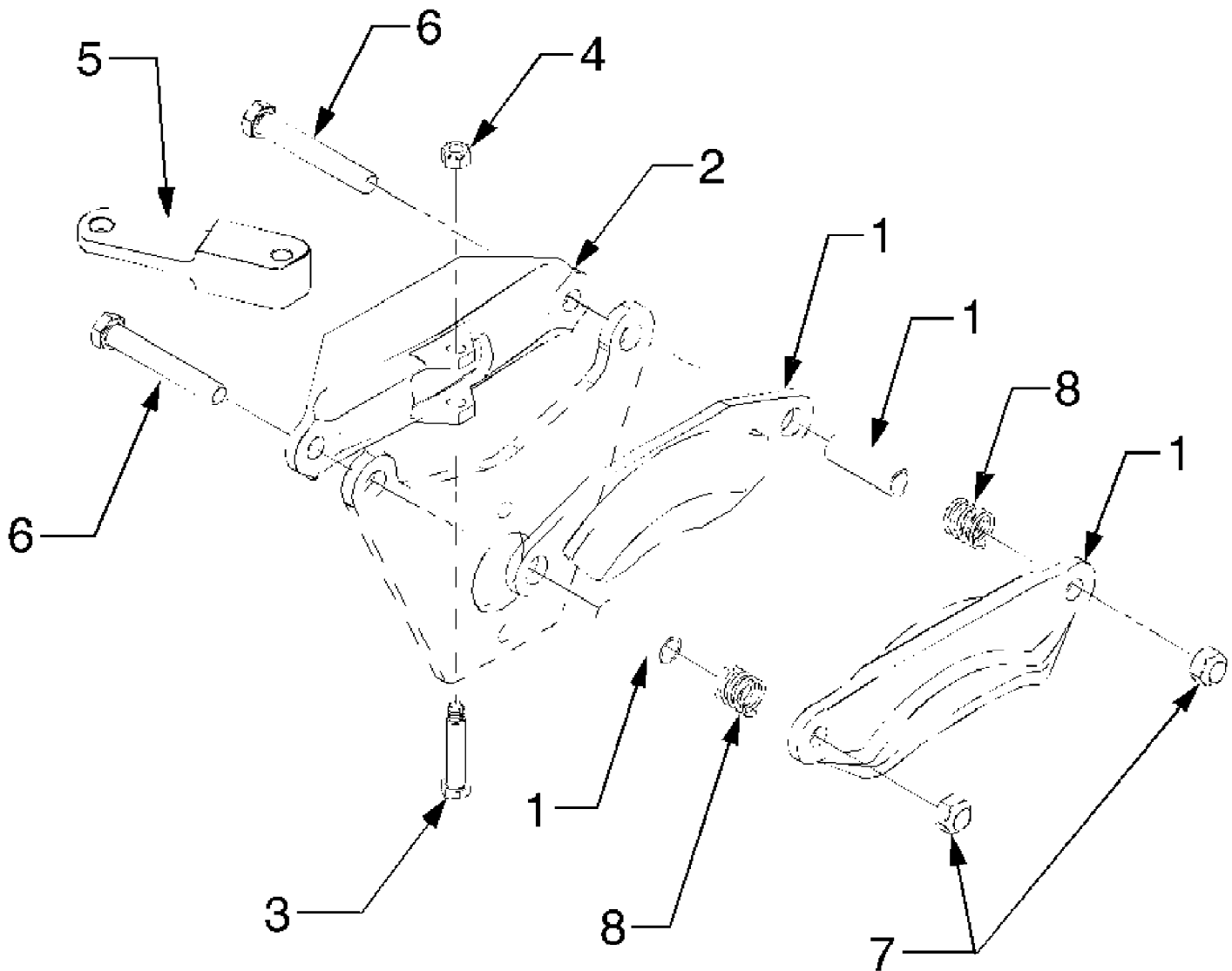
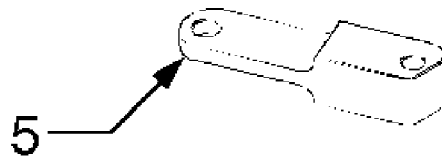
3205 Tractor
Brake And Control Pedals

Ref #	Part Number	Qty	S/P/F	Description
1	603-0379	1		Shaft Assembly, Pedal
2	603-0421	1	S	Plate, Disengagement
3	603-0437-0637	1	/P	Cam, Clutch
4	603-0445	1		Shaft Assembly, Brake
5	603-0449	1		Shaft Assembly, Reverse
6	603-0634	1		Rod Assembly, Cruise
7	703-3012-0498	1		Link, Pedal Mounting
8	703-3020-0637	1		Bracket, Rod Adjust
9	703-3152-0637	2		Bracket, Switch
10	703-3155-0498	1		Lever, Brake
11	703-3156-0498	1	S	Link, Brake Pedal
12	710-0106	1	/P	Screw, Hex Cap, 1/4-20 x 1.25 GR5
13	710-0599	5	/P	Screw, Hex Wash. Hd. Tapp 1/4-20 x .5
14	710-0623	2	/P	Screw, Hex Wash. Hd. Tapp 3/8-16 x .75
15	710-0642	6	/P	Screw, Hex Wash. Hd. Tapp 1/4-20 x .75
16	710-1315	2	/P	Screw, Hex Wash. Hd. Tapp 3/8-16 x 1.25
17	711-0679A	1	/P	Pin, Clevis, 3/8 x 2.015
18	711-1041	1		Ferrule, Adjust.
19	711-1138	1		Stud, Actuator
20	712-3004A	1	/P	Nut, Hex Flange Lock, 5/16-18
21	712-3027	1	S	Nut, Hex Flange Lock, 1/4-20
22	712-3058	3	S	Nut, Hex Insert Lock, 1/2-20
23	712-3061	2	S	Nut, Hex Lock, 3/8-24
24	714-0104	9	S	Pin, Internal Cotter
25	714-0145	2	S	Pin, Internal Cotter
26	714-0147	5	/P	Pin, Internal Cotter
27	715-0114	1	S	Pin, Spiral Spring, .25 x 1.5
28	731-3247	1		Pedal, Forward
29	731-3248	1		Pedal, Reverse
30	731-3249	1	S	Pedal, Brake
31	732-0324	2		Spring, Compression
32	732-0859	1	S	Spring, No Cut Reverse
33	732-0871	1		Spring, Torsion
34	732-3118	2		Spring, Extension, .380 OD x 1.44
35	736-0185	2	S	Washer, Flat, .406 x .75 x .063
36	736-0287	1	S	Washer, Flat, .79 x 1.24 x .060
37	736-0463	1	S	Washer, Flat, .25 x .62
38	736-0621	1		Washer, Wave, .785 x 1.0 x .012
39	736-3019	3		Washer, Flat, .531 x 1.06 x .134
40	741-0598	4	S	Bearing, Hex Flange
41	741-3073	3	S	Bearing, Flange
42	741-3074	2		Bearing, Flange
43	741-3084	1		Bearing, Flange
44	747-3319	1		Rod, Rear Control
45	747-3320	1		Rod, Front Control
46	747-3324	1		Rod, Rear Connecting
47	747-3353	1		Rod, Front Connecting
48	747-3355	1		Rod, Brake RH
49	747-3356	1		Rod, Brake LH
50	748-3060	1		Cruise Latch
51	748-3080	1	S	Plate, Cruise

POSITION FOR L.H. APPLICATION



POSITION FOR R.H. APPLICATION



3205 Tractor
Brake Assembly

Ref #	Part Number	Qty	S/P/F	Description
	661-3013	2		Brake Assembly Complete
1	759-3688	2	/P/F	Pad Kit, Brake Includes Ref. Nos. 6 (Qty. 2), 7 (Qty. 2), and 8 (Qty. 2).
2	703-0931	2		Bracket, Brake Actuator
3	710-3133	2		Screw, Shoulder
4	712-3055	2	S	Nut, Hex Top Lock, 1/4-20
5	761-3059	2	F	Arm, Brake Actuator
6	710-0369	4	/P	Screw, Hex Cap, 3/8-24 x 2.5 GR5
7	712-3054	4	/P	Nut, Hex Lock, 3/8-24
8	732-3042	4	S	Spring, Compression