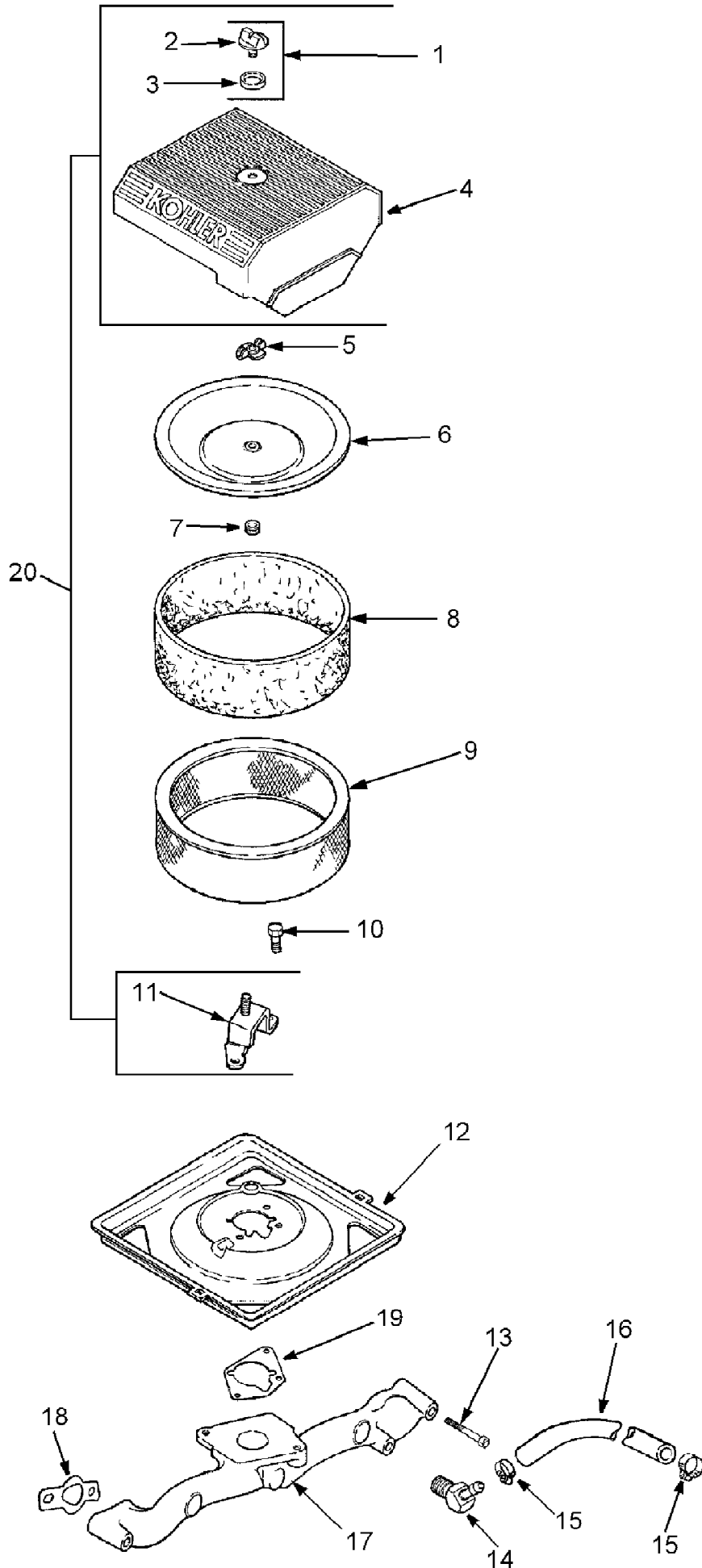


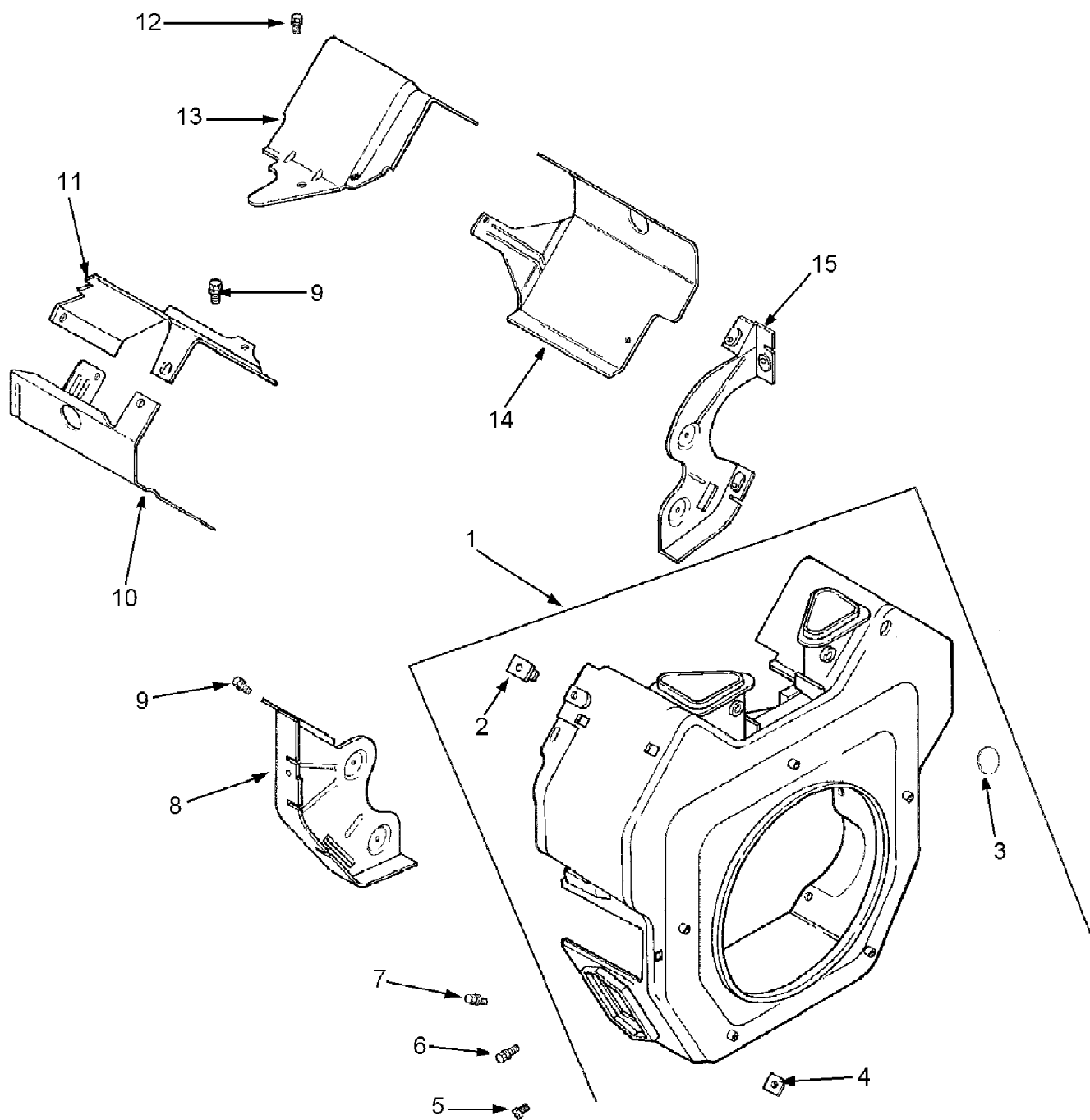
3186 Tractor  
Air Intake



3186 Tractor  
Air Intake

Page 2 of 62

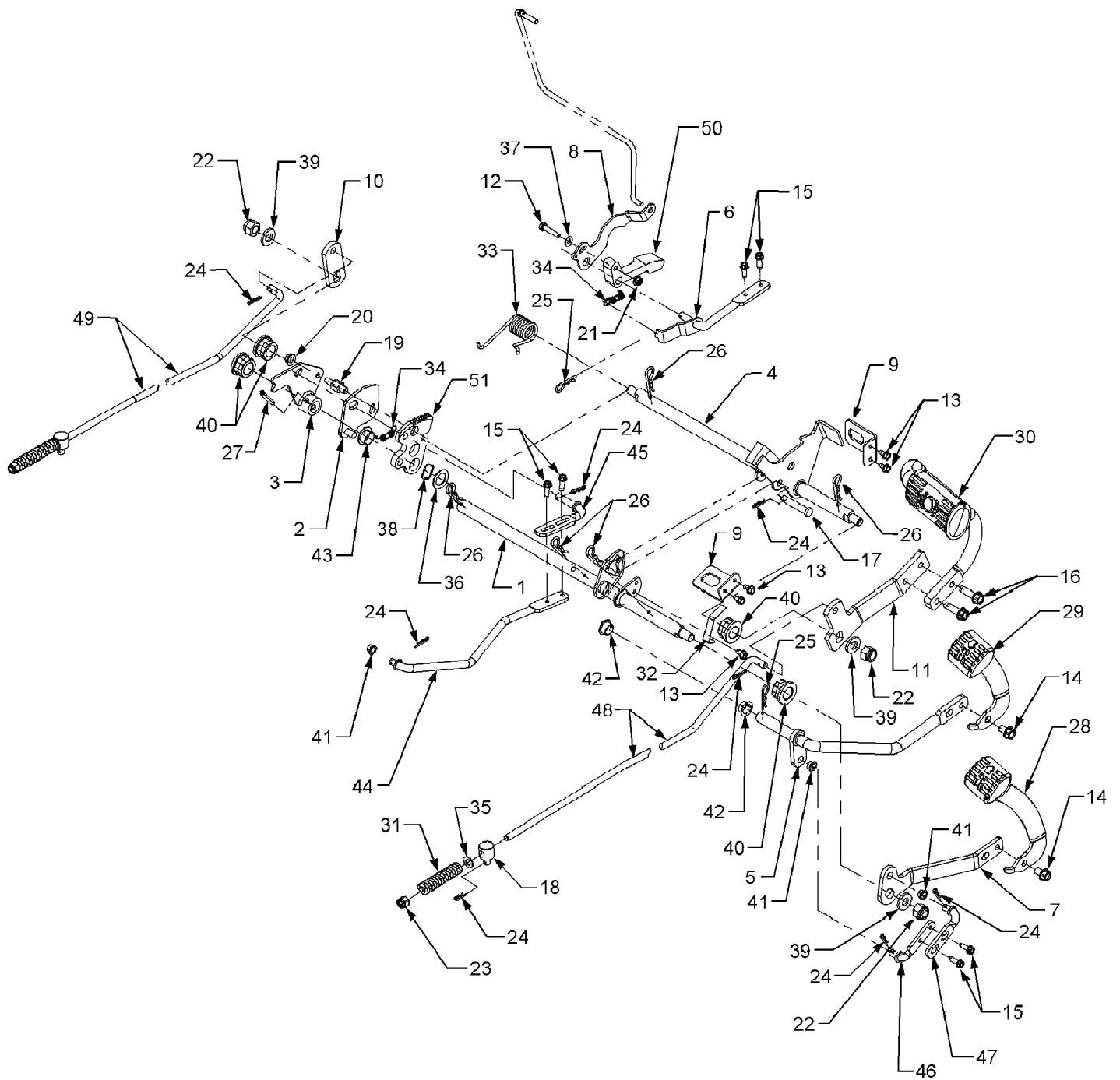
Ref #	Part Number	Qty	S/P/F	Description
1	KH-54-755-01	1	S	Kit, Knob w/Seal (Includes 2,3)
2	KH-25-341-03	1	/P	Knob, Cover
3	KH-24-153-15	1		Seal, Air Cleaner Cover Knob
4	KH-24-096-31	1	S	Cover, Air Cleaner
5	KH-12-100-01	1	/P	Wing Nut
6	KH-24-096-01	1	/P	Cover, Inner Air Cleaner
7	KH-24-032-03	1	/P	Seal, Inner Air Cleaner
8	KH-24-083-02	1	S	Precleaner, Element
9	KH-47-083-03	1	S	Element, Air Cleaner
10	KH-M-0639016	3	S	Screw, Hex Flange M6 x 1.0 x 16
11	KH-24-126-21	1		Bracket, Air Cleaner Base
12	KH-24-094-03	1	S	Base, Air Cleaner
13	KH-M-0651055	4		Screw, Hex Flange M6 x 1.0 x 55
14	KH-25-155-11	1		Connector, Hose 45°.
15	KH-X-426-9	2	S	Clamp, Hose
16	KH-25-353-08	1	S	Line, Fuel 5"
17	KH-24-164-29	1		Manifold, Intake
18	KH-24-041-01	2	/P	Gasket, Intake Manifold
19	KH-24-041-06	1	/P	Gasket, Air Cleaner Base
20	KH-24-743-08	1		Kit, Air Cleaner Cover (Includes 1-4, 11)



3186 Tractor  
Blower Housing & Baffles

Page 4 of 62

Ref #	Part Number	Qty	S/P/F	Description
1	KH-24-027-20	1	S	Housing, Blower (Includes 2-4)
2	KH-24-100-02	2		Nut, Plastic
3	KH-25-139-16	1		Plug, Button 9/16"
4	KH-24-100-01	3		Nut, Plastic
5	KH-M-0551016	1		Screw, Hex Flange M5 x 0.8 x 16
6	KH-M-0545016	3	S	Screw, Hex Flange M5 x 0.8 x 16
7	KH-M-0567020	4	S	Screw, Hex Flange M5 x 0.8 x 20
8	KH-24-146-02	1	S	Plate, Backing #2 Side
9	KH-M-0645016	6	S	Screw, Hex Flange M6 x 1.0 x 16
10	KH-24-063-20	1	/P	Baffle, Cyl. Barrel #2 Side
11	KH-24-063-17	1	/P	Baffle, Valley #2 Side
12	KH-M-0545010	2	/P	Screw, Hex Flange M5 x 0.8 x 10
13	KH-24-063-24	1	S	Baffle, Valley #1 Side
14	KH-24-063-08	1	S	Baffle, Cyl. Barrel #1 Side
15	KH-24-146-08	1	S	Plate, Backing #1 Side



3186 Tractor  
Brake & Control Pedals

Ref #	Part Number	Qty	S/P/F	Description
1	603-0379	1		Shaft Assembly, Pedal
2	603-0421	1	S	Plate, Disengagement
3	603-0437	1	S	Cam, Clutch (Code 0637)
4	603-0445	1		Shaft Assembly, Brake
5	603-0449	1		Shaft Assembly, Reverse
6	603-0634	1		Rod Assembly, Cruise
7	703-3012	1		Link, Pedal Mounting (Code 0498)
8	703-3020	1		Bracket, Rod Adjust (Code 0637)
9	703-3152	2		Bracket, Switch (Code 0637)
10	703-3155	1		Lever, Brake (Code 0498)
11	703-3156	1		Link, Brake Pedal (Code 0498)
12	710-0106	1	/P	Screw, Hex Cap, 1/4-20 x 1.25 GR5
13	710-0599	5	/P	Screw, Hex Wash. Hd. Tapp 1/4-20 x .5
14	710-0623	2	/P	Screw, Hex Wash. Hd. Tapp 3/8-16 x .75
15	710-0642	6	/P	Screw, Hex Wash. Hd. Tapp 1/4-20 x .75
16	710-1315	2	/P	Screw, Hex Wash. Hd. Tapp 3/8-16 x 1.25
17	711-0679A	1	/P	Pin, Clevis, 3/8 x 2.015
18	711-1041	1		Ferrule, Adjust.
19	711-1138	1		Stud, Actuator
20	712-3004A	1	/P	Nut, Hex Flange Lock, 5/16-18
21	712-3027	1	S	Nut, Hex Flange Lock, 1/4-20
22	712-3058	3	S	Nut, Hex Insert Lock, 1/2-20
23	712-3061	2	S	Nut, Hex Lock, 3/8-24
24	714-0104	9	S	Pin, Internal Cotter
25	714-0145	2	S	Pin, Internal Cotter
26	714-0147	5	/P	Pin, Internal Cotter
27	715-0114	1	S	Pin, Spiral Spring, .25 x 1.5
28	731-3247	1		Pedal, Forward
29	731-3248	1		Pedal, Reverse
30	731-3249	1	S	Pedal, Brake
31	732-0324	2		Spring, Compression
32	732-0859	1	S	Spring, No Cut Reverse
33	732-0871	1		Spring, Torsion
34	732-3118	2		Spring, Extension, .380 OD x 1.44
35	736-0185	2	S	Washer, Flat, .406 x .75 x .063
36	736-0287	1	S	Washer, Flat, .79 x 1.24 x .060
37	736-0463	1	S	Washer, Flat, .25 x .62
38	736-0621	1		Washer, Wave, .785 x 1.0 x .012
39	736-3019	3		Washer, Flat, .531 x 1.06 x .134
40	741-0598	4	S	Bearing, Hex Flange
41	741-3073	3	S	Bearing, Flange
42	741-3074	2		Bearing, Flange
43	741-3084	1		Bearing, Flange
44	747-3319	1		Rod, Rear Control
45	747-3320	1		Rod, Front Control
46	747-3324	1		Rod, Rear Connecting
47	747-3353	1		Rod, Front Connecting
48	747-3355	1		Rod, Brake RH
49	747-3356	1		Rod, Brake LH
50	748-3060	1		Cruise Latch
51	748-3080	1	S	Plate, Cruise