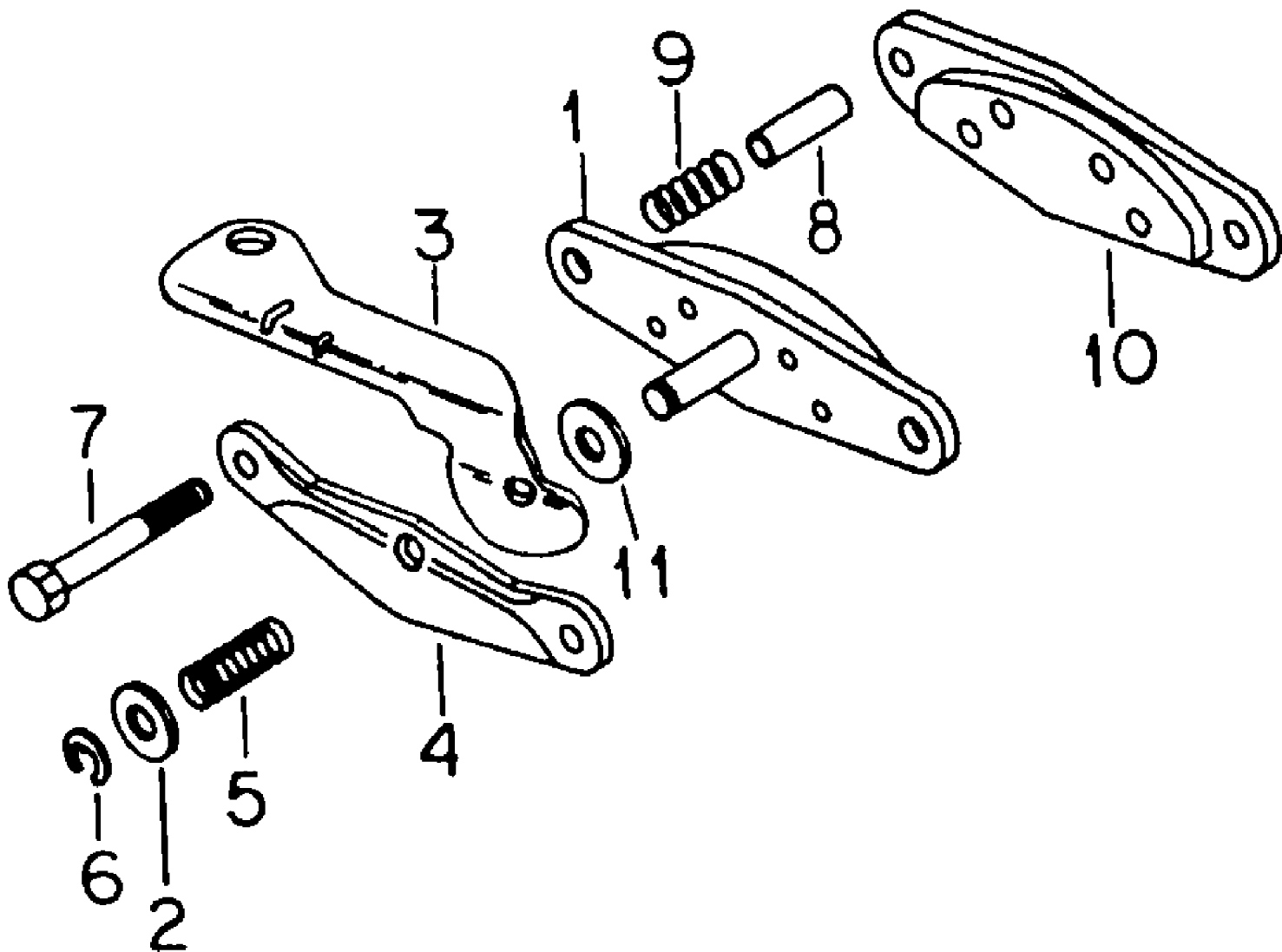


282
Air Cleaner

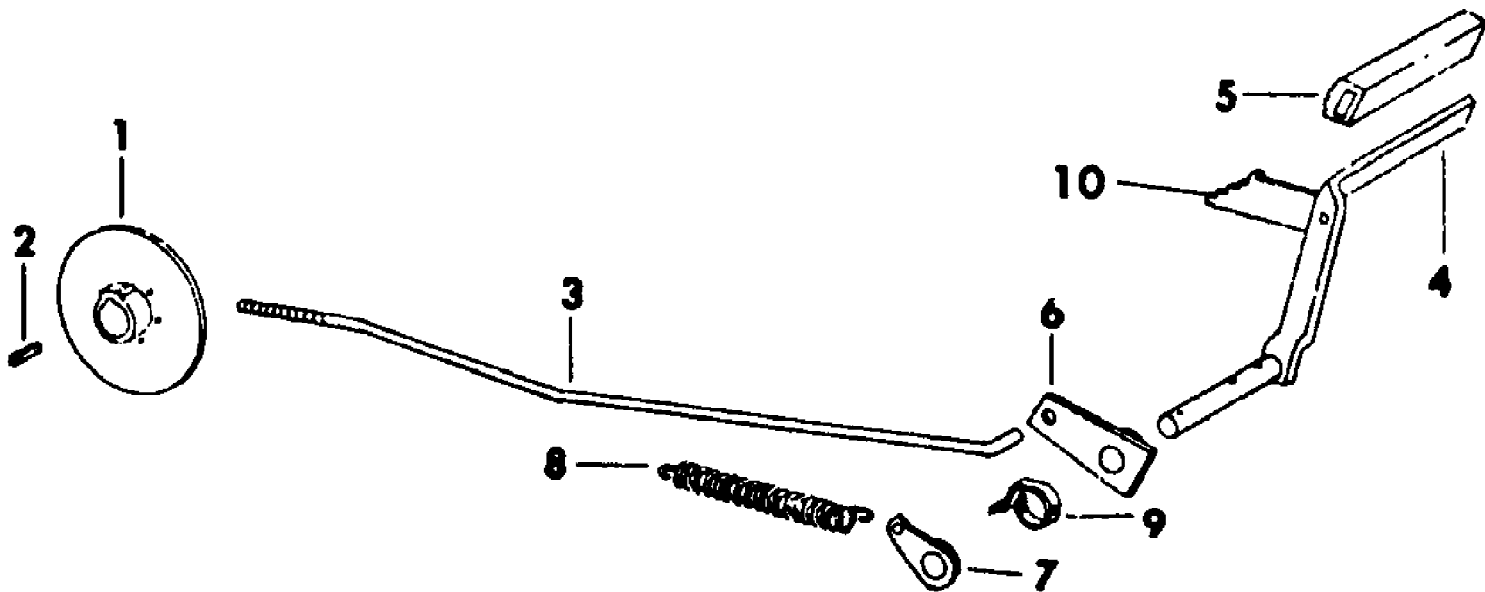
Ref #	Part Number	Qty	S/P/F	Description
1	BS-391399	1		Cleaner Assy, Air
	BS-280111	1		Support, Air Cleaner
2	BS-270539	1		Gasket, Air Cleaner
3	BS-270528	1	S	Element
4	BS-93622	1		Screw, Air Cleaner
5	BS-93323	1		Screw, Air Cleaner



282
Brake Assembly

Page 4 of 63

Ref #	Part Number	Qty	S/P/F	Description
1		1		Order Kit 759-3393
2	HH-03-03017	1		Washer, Thrust
3	HH-C-18-02434	1		Cam
4	HH-C-14-03286	1		Plate, Actuator
5	HH-A-06-03031	2		Spring, Compression
6	716-0108	1	S	Ring, Retaining
7	HH-01-03443	2	S	Screw, 1/4-20 X 2 Phc Hex Hd Cap
	712-0107	1	S	Nut, 1/4 Cad P/T Lock Type 8
8		1		Order Kit IH-107027-C1
9	HH-A-06-03314	2		Spring, Return
10		1		Order Kit 759-3393
11		1		Order Kit IH-107027-C1
	759-3393	1	/P	Kit Includes Brake Relining Bushing Washer, Flat Plate Assy, Stud Plate Assy, Side Instructions, Installing
	IH-107027-C1	1		Kit Includes Brake Spacer Washer, Flat Bushing Instructions, Installing



282
Brakes & Connections

Ref #	Part Number	Qty	S/P/F	Description
1	761-3001	1		Disc and Hub Assy
	750-3008	2		Washer, .281 X .750 X .105
	712-0375	1	/P	Nut, 3/8 Cad P/T Lock Type
2	714-0868	1	S	Key, 3/16 X 3/4 SAE 9 Woodruff
3	747-3027	1		Rod, Brake
	714-0507	1	S	Pin, 3/32 X 3/4 Cot
	736-0140	1	S	Washer, .406 X .812 X .051
4	703-0859	1		Pedal Assy, Clutch and Brake (Replaces IH-538866-R1 on Tractors W/Serial No. 74457 and Below By Also Ord
	736-3028	1		Washer, .781 X 1.250 X .054
5	724-3001	1		Pad, Pedal (Serial Number 74457 and Below)
	724-3000	1	S	Pad, Pedal (Serial Number 74458 and Above)
6	703-0278	1		Lever Assy, Foot Pedal Brake
	715-0134	1	S	Pin, 3/16 X 1-1/2 Hvy Pln Cld Spr
7	703-0280	1		Brake Assy
	715-0134	1	S	Pin, 3/16 X 1-1/2 Hvy Pln Cld Spr
8	732-3019	1	/P	Spring, Extension
9		1		Not used in this application
10		1		Ratchet, Brake Lock (Serial Number 74457 and Below Order Pedal 703-0859, Kit 759-3128, Grip 720
		1		Ratchet, Brake Lock (Serial Number 74458 and Above Order Kit 759-3128)
	720-3004	1		Grip, Brake Lock Ratchet (Serial Number 74458 and Above)
	759-3128	1		Kit, Brake Lock (Serial Number 74458 and Above) Ratchet Nut Washer, Bell Washer, Flat