



2518-48 Tractor  
48 Inch Deck Assembly

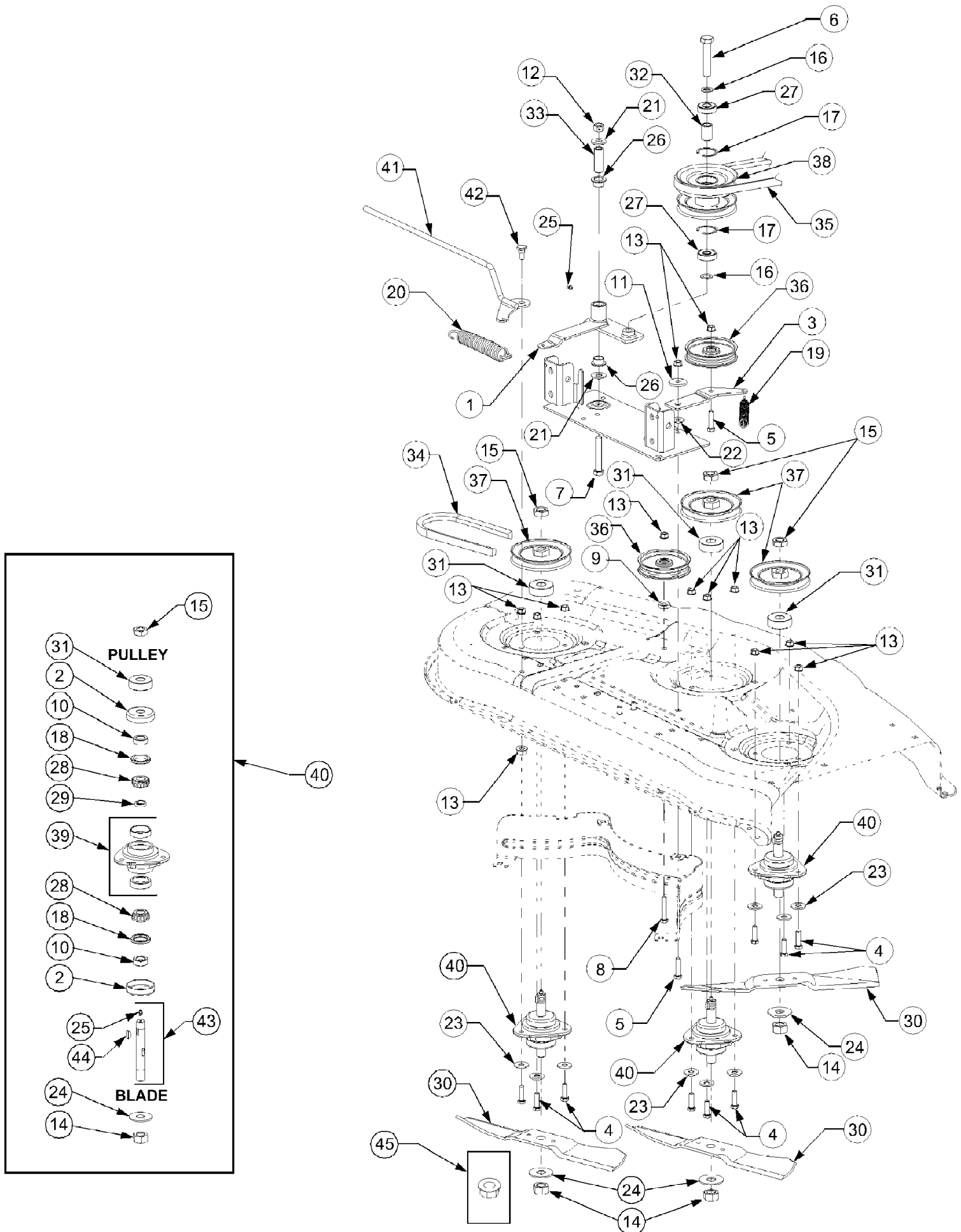
Page 2 of 90

Ref #	Part Number	Qty	S/P/F	Description
1	603-0031A-0716	2	/P	Bracket, Caster Wheel
2	603-0110	1	/P	Spindle Assy, RH Front
3	603-0111	1		Spindle Assy, LH Front
4	603-0183A-0716	1	/P	Plate Assy, Mounting
5	703-2248-0716	1	/P	Bracket, Front Lift Replaces 603-0200-0716
6	603-04113-0716	1	/P	Handle, Tension Replaces 603-0203-0716
7	703-1890A	4	/P	Wheel, Ball w/Fitting, 5 in
7	937-3000	4	/P	Fitting, Lube, 3/16 Drive Not shown
8	703-2072-0716	2		Strap, Mounting
9	703-2081A-0716	1	/P	Channel, LH Caster
10	703-2083-0716	1	/P	Channel, RH Caster
11	703-2094-0716	2		Caster Assembly, Front
12	703-2096B-0716	1	S	Guard, LH Belt
13	703-3240-0716	1	/P	Guard, RH Belt
14	703-2121A	1	/P	Stop, Chute Deflector
15	703-2161-0716	1	S	Baffle, Rear Inner
16	703-2192-0716	1	/P	Guard, Finger
17	703-2479-0716	1	/P	Bracket, Front Roller
18	703-2559-0716	1	/P	Bracket, Handle Stop
19	703-2607-0716	1		Baffle
20	710-0347	2	/P	Screw, Cap, 3/8-16 x 1.75 GR5
21	710-3001	2	/P	Screw, Cap, 3/8-16 x .88 GR5
22	710-3008	1	/P	Screw, Cap, 5/16-18 x .75 GR5
23	710-3178	24	/P	Bolt, Carriage, 3/8-16 x .75 GR5
24	710-3232	4	/P	Screw, Thumb Adj, 5/16-18 x 1
25	911-3266	4	/P	Pin, Clevis w/Ball Detent
26	711-3312	2		Axle, Deck Caster
27	711-3314	1	S	Pin, Roller, 1/2 Dia x 7.31
28	711-3318	1	/P	Pin, Hinge, .375 Dia x 12.55 (Used November 18, 2001 and prior)
28	711-1762	1		Pin, Hinge, .375 Dia x 12.55 (Used November 19, 2001 and after)
29	912-0431	32	/P	Nut, Hex Flanged Lock, 3/8-16
30	712-3004A	1	/P	Nut, Hex Flanged Lock, 5/16-18
31	712-3016	2	/P	Nut, Hex Top Lock, 5/8-11 GR5
32	912-3027	1	/P	Nut, Hex Flange Lock, 1/4-20
33	912-3048	2	/P	Nut, Hex Jam, 1/2-13 GR5
34	712-3083	2	/P	Nut, Hex Top Nylon Lock, 1/2-13
35	914-0115	1	/P	Pin, Cotter, 1/8 Dia x 1
36	914-0145	1	/P	Pin, Int. Cotter, .092 Dia. x 1.63
37	715-3003	2	/P	Pin, Spirol, 3/16 x .75
38	926-0211	4	/P	U-Nut, 5/16-18
39	726-3045	2	/P	Plug, Button
40	731-3005	1	/P	Roller
41	931-3131A	1	/P	Deflector, Chute
42	932-0478	1	/P	Spring, Extension, .75 OD x 6.12
43	732-3070A	1	/P	Spring, Torsion
44	932-3094	1	/P	Spring, Compression, .63 ID x 2
45	732-0861	1		Spring, Extension, 1.25 OD x 7.2
46	932-3126	2	/P	Spring, Extension, .91 OD x 7.33
47	932-3127	2	/P	Spring, Compression
48	736-0105	2	/P	Washer, Bell, 380 x .88 x .062

2518-48 Tractor  
48 Inch Deck Assembly

Page 3 of 90

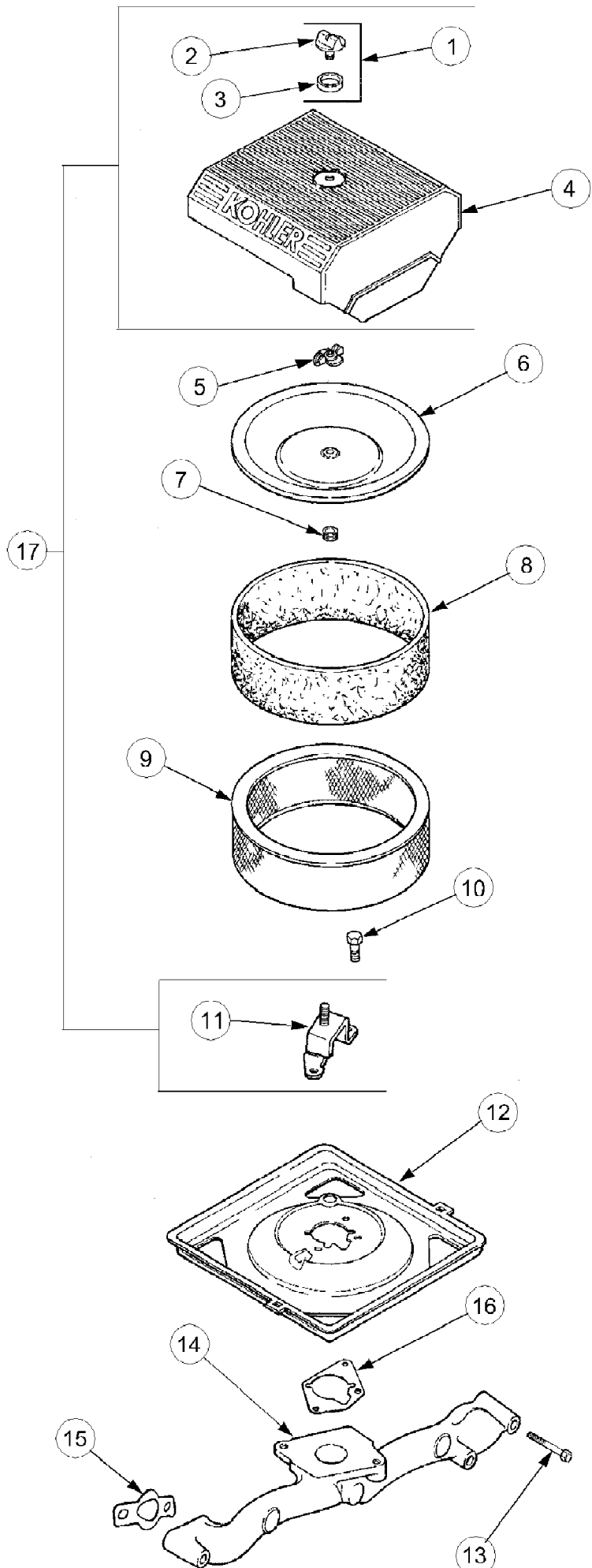
Ref #	Part Number	Qty	S/P/F	Description
49	936-0169	2	/P	Washer, Lock, 3/8
50	736-0174	2	/P	Washer, Wave, .625 x .885 x .015
51	736-0242	4	/P	Washer, Bell, .340 x .872 x .060
52	936-0272	4	/P	Washer, Flat, .510 x 1 x .060
53	736-0290	2	/P	Washer, Flat, .63 x 1 x .063
54	736-3088	2		Washer, Flat, .635 x 1.585 x .062
55	937-3000	2	/P	Fitting, Lube, 3/16 Drive
56	738-0129	1	/P	Bolt, Shoulder
57	738-0143	1	/P	Bolt, Shoulder, .498 Dia x .340
58	938-0507B	2	/P	Bolt, Shoulder, .500 Dia x .434
59	938-0572	1	/P	Bolt, Shoulder, .374 Dia x 1.16
60	938-3056	2	/P	Bolt, Shoulder
61	938-3093	2	/P	Bolt, Step Shoulder
62	941-0353	4	/P	Bearing, Flange
63	747-3172C	1	/P	Rod, Front Lift
64	747-3188	2		Pin, Mower Support
65	747-3237A	1	/P	Rod, LH Lift Assist
66	750-0639	2	/P	Spacer, .437 ID x .625 OD x .75
67	759-3733-0716	1	/P	Deck Assembly w/Graphics
67	777S30014	1	/P	Graphic - Caution Spring Tensio Not shown
67	777S30015	1		Graphic, Rider Danger Not shown
67	777S30503	1	/P	Graphic, Danger Not shown
68	977S30145	1	/P	Graphic, Danger
69	710-3168	2	/P	Bolt, Carriage, 3/8-16 x 1.0 GR5
70	936-0921	2	/P	Washer, Lock, 1/2
71	710-0520	1	/P	Screw, Cap, 3/8-16 x 1.5 GR5



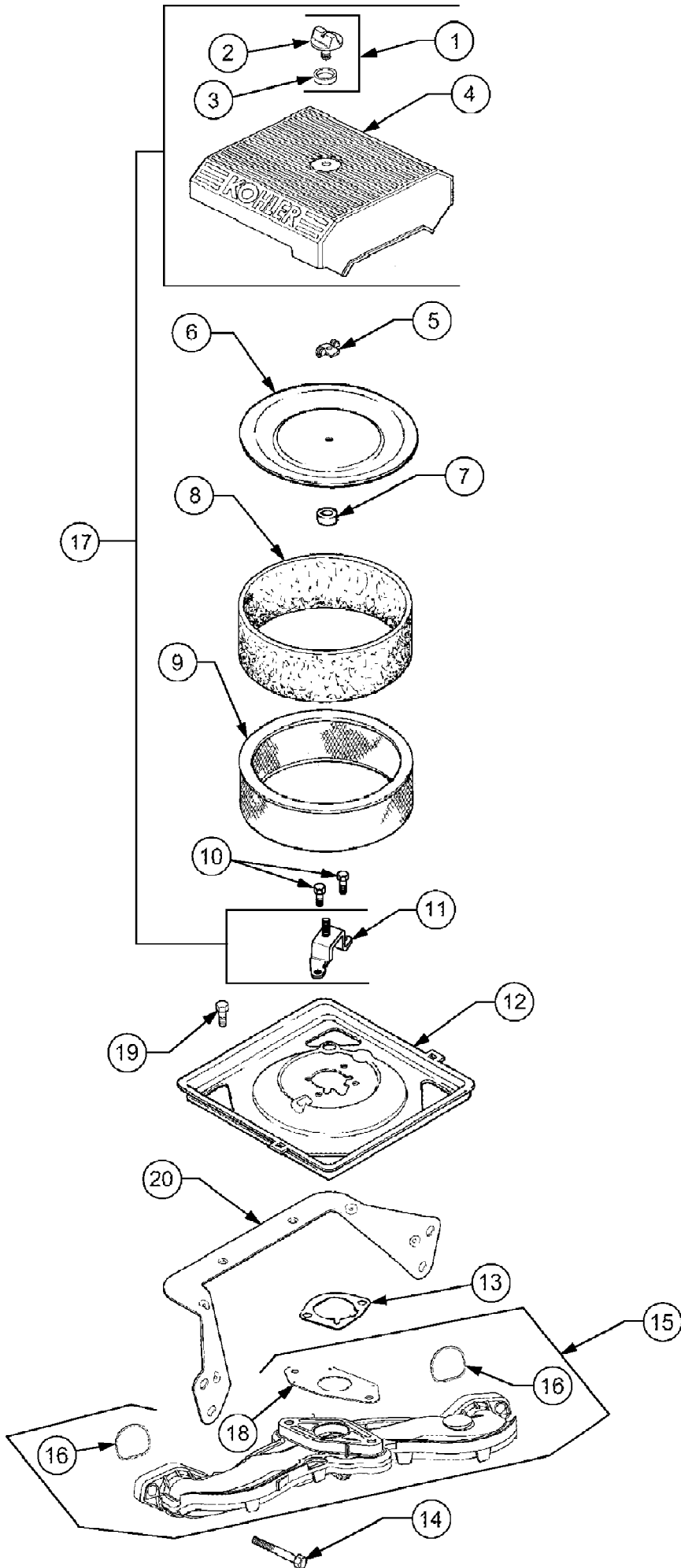
2518-48 Tractor  
48 Inch Spindle Assembly

Page 5 of 90

Ref #	Part Number	Qty	S/P/F	Description
1	603-0857-0716	1		Pivot Arm, Double Pulley
2	703-1387	6	S	Cup, Spindle
3	703-2579-0716	1		Arm, Idler
4	710-3005	9	/P	Screw, Hex Cap 3/8-16 x 1.25 GR5
5	710-0520	2	/P	Screw, Hex Cap, 3/8-16 x 1.5 GR5
6	710-0923	1	/P	Screw, Hex Cap, 5/8-18 x 3 GR5
7	710-1010	1	/P	Screw, Hex Cap, 1/2-20 x 3 GR8
8	710-3144	1	/P	Screw, Hex Cap, 3/8-16 x 2
9	711-0242	1	S	Spacer, .380 ID x 1 OD x .32
10	711-3171	6	S	Spacer, .755 ID x 1.25 OD x .44
11	711-3272A	1	S	Spacer, Shoulder
12	712-0239	1	S	Nut, Hex Center Lock, 1/2-20
13	712-0431	13	S	Nut, Hex Flanged Lock, 3/8-16
14	712-3018	3	S	Nut, Hex, 3/4-16 GR8
15	712-3026	3	S	Nut, Hex Jam, 3/4-16 GR5
16	736-0237	2	/P	Washer, Flat, .65 x 1.25 x .075
17	716-3020	2	S	Snap Ring, Internal
18	721-3018A	6	S	Seal, Oil, 1.25 x 1.874 x .25
19	732-0478	1	S	Spring, Extension, .75 OD x 6.12
20	732-0861	1		Spring, Extension, 1.25 OD x 8.15
21	736-0179	2	S	Washer, Flat, .531 x 1.25 x .1 Thk
22	736-0258	1	/P	Washer, Flat, .385 x 1 x .127 Thk
23	736-3052	9	/P	Washer, Flat, .406 x 1.0 x .105
24	736-3014	3	/P	Washer, Flat, .781 x 2 x .105 Thk
25	737-3000	4	S	Fitting, 3/16 Drive Lube
26	741-0338	2	/P	Bearing, Flange, 3/4 ID x .53
27	741-1122	2		Bearing, Ball, .62 x 1.57 x .470
28	741-3028	6	S	Cone, Bearing
29	741-3030	3	S	Spacer, Bearing
30	742-3019	3	S	Blade, Low Lift, 16.5"
	742-3025	3	S	Blade, High Lift, 16.5"
	759-3677	3	S	Blade, Hard Coated, 16.5"
31	748-3020	3	S	Spacer
32	750-3132	1	S	Spacer, Pulley, .635 ID x .88 OD x
33	750-3136	1	S	Spacer, Idlr Brkt, .51 ID x .75 OD x
34	754-3041	1	S	Belt, Spindle, A-Section x 105"
35	754-3068	1	S	Belt, PTO, B-Section x 110.6"
36	756-3005	2	/P	Pulley, Flat Idler, 4.06 OD
37	756-3046	3		V-Pulley, 4.70 OD
38	756-3116	1	/P	Pulley, Double
	737-3000	1	S	Fitting, 3/16 Drive
39	759-3226	3	S	Housing w/Cups, Spindle
40	759-3665	3	S	Spindle Ass'y, Blade
41	603-0203-0716	1	S	Handle, Tension
42	738-0143	1	/P	Bolt, Shoulder, .498 Dia. x .340
43	759-3369	3	S	Kit, Shaft w/Seal
44	714-0135	3	S	Key, #91 Woodruff, 1/4 x 3/4
45	712-3078	3	/P	Nut, Hex Flange, 3/4-16 (Optional)



Ref #	Part Number	Qty	S/P/F	Description
1	KH-54-755-01	1	S	Kit, Knob w/Seal (Incl. Ref #2, 3)
2	KH-25-341-03	1	/P	Knob, Cover
3	KH-24-153-20-S	1		Seal, Air Cleaner Cover Knob
4	KH-24-096-31	1	S	Cover, Air Cleaner
5	KH-12-100-01	1	/P	Wing Nut
6	KH-24-096-01	1	/P	Cover, Inner Air Cleaner
7	KH-24-032-03	1	/P	Seal, Inner Air Cleaner
8	KH-24-083-02	1	S	Precleaner, Element
9	KH-47-083-03	1	S	Element, Air Cleaner
10	KH-M-0639016	3	S	Screw, Hex Flange, M6 x 1.0 x 16
11	KH-24-126-21	1		Bracket, Air Cleaner Base
12	KH-24-094-03	1	S	Base, Air Cleaner
13	KH-M-0651055	4		Screw, Hex Flange, M6 x 1.0 x 55
14	KH-24-164-29	1		Manifold, Intake
15	KH-24-041-01	2	/P	Gasket, Intake Manifold
16	KH-24-041-06	1	/P	Gasket, Air Cleaner Base
17	KH-24-743-08	1		Kit, Air Cleaner Cover (Incl 1-4, 11)





Air Intake And Filtration Plastic

Ref #	Part Number	Qty	S/P/F	Description
1	KH-54-755-01	1	S	Kit, Knob w/Seal (Incl. Ref #2,3)
2	KH-25-341-03	1	/P	Knob, Cover
3	KH-24-153-20-S	1		Seal, Air Cleaner Cover Knob
4	KH-24-096-69-S	1	/P	Cover, Air Cleaner
5	KH-12-100-01	1	/P	Wing Nut
6	KH-24-096-01	1	/P	Cover, Inner Air Cleaner
7	KH-24-032-03	1	/P	Seal, Inner Air Cleaner
8	KH-24-083-02	1	S	Precleaner, Element
9	KH-47-083-03	1	S	Element, Air Cleaner
10	KH-M-0639016	3	S	Screw, Hex Flange, M6 x 1.0 x 16
11	KH-24-126-21	1		Bracket, Air Cleaner Base
12	KH-24-094-24-S	1	S	Base, Air Cleaner
13	KH-24-041-06	1	/P	Gasket, Air Cleaner Base
14	KH-M-0651040-S	4		Screw, Hex Flange, M6 x 1.0 x 40
15	KH-24-164-54-S	1	S	Manifold, Intake (Includes Carb Gasket KH-24-041-53-S and (2) O-Rings KH-24-153-27-S)
16	KH-24-153-27-S	2	/P	O-Ring, Intake Manifold
17	KH-24-743-08	1		Kit, Air Cleaner Cover (Incl 1-4, 11)
18	KH-24-041-53-S	1		Gasket, Carburetor
19	KH-M-0545010	2	/P	Screw, Hex Flng, M5 x 0.8 x 10
20	KH-24-126-130-S	1		Bracket, Air Cleaner Base