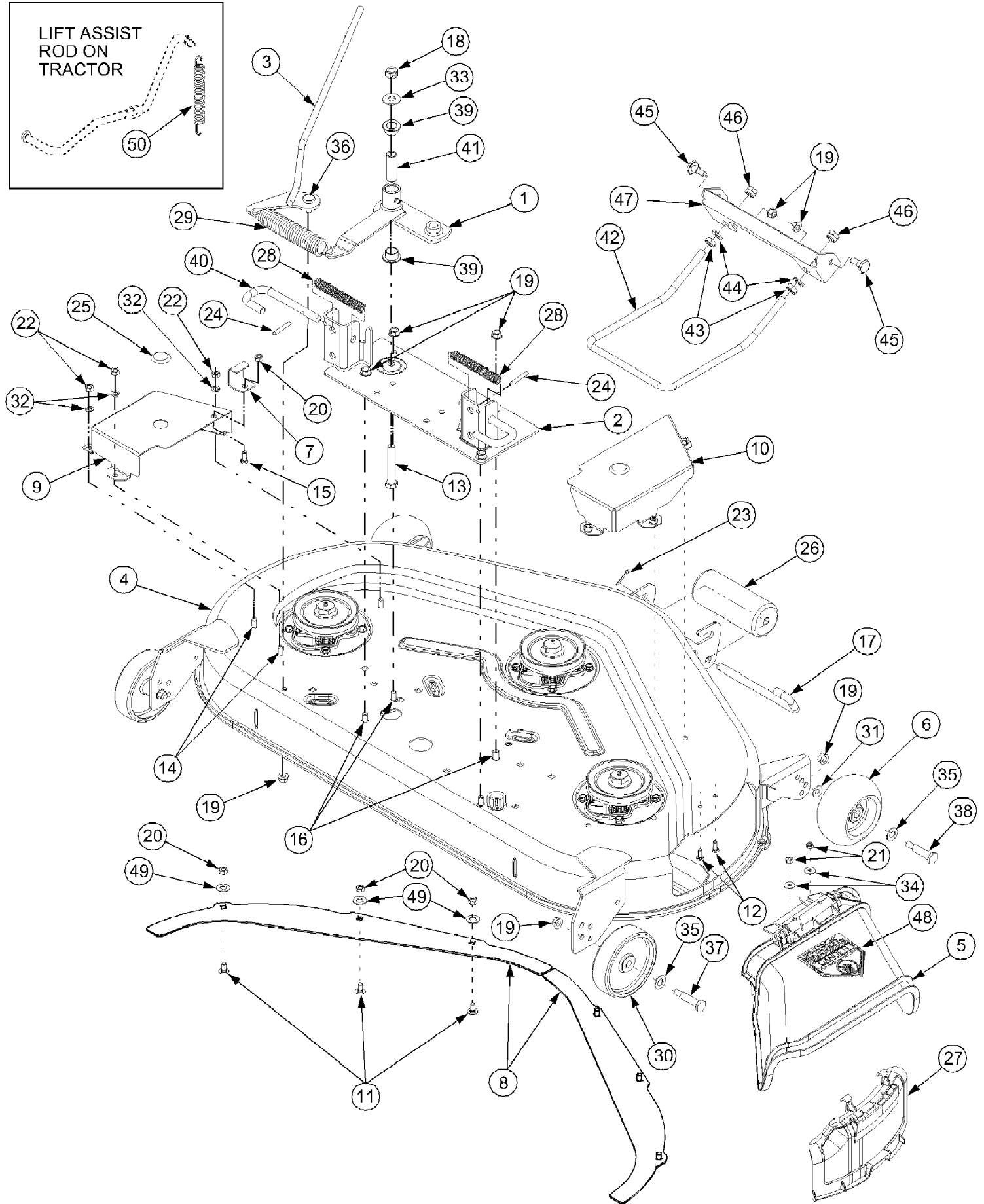
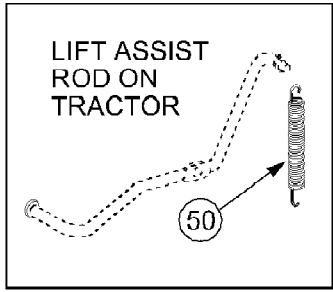


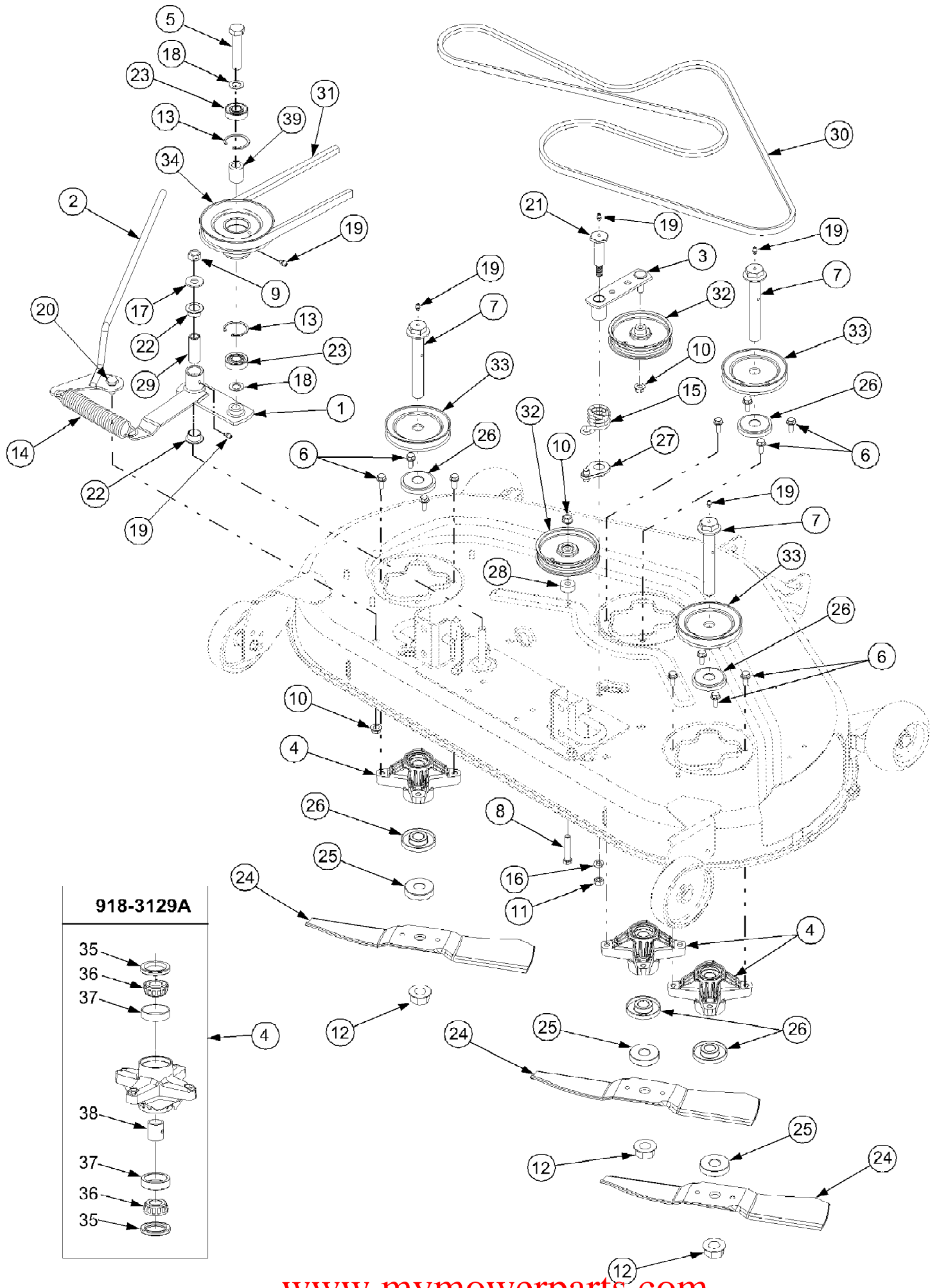
2518-44 Tractor
44" Deck Assembly



2518-44 Tractor
44" Deck Assembly

Page 2 of 89

Ref #	Part Number	Qty	S/P/F	Description
1	603-0857-0716	1		Idler Assembly
2	603-0183A-0716	1	/P	Plate Assy, Mounting
3	603-0203-0716	2	S	Handle, Tension
4	603-0729-0716	1	S	Deck Housing Assembly
	777S30014	1	/P	Graphic, Warning
	777S30018	1	/P	Graphic, Deck Safety
	777S30503	1	/P	Graphic, Deck Safety
5	631-0094A	1	/P	Chute Assembly, Discharge
6	703-1890	2	S	Wheel, Deck, w/Fitting
7	703-2559-0716	1	/P	Bracket, Stop
8	703-3359-0716	2		Baffle, Skirt
9	703-3742-0716	1		Belt Cover, LH
10	703-3743-0716	1	/P	Belt Cover, RH
11	710-0260A	6	/P	Bolt, Carriage, 5/16-18 x .62
12	710-0751	2	/P	Screw, Hex Cap, 1/4-20 x .62
13	710-1010	1	/P	Screw, Hex Cap, 1/2-20 x 3.0
14	710-1611B	6	/P	Screw, Self Tap, 5/16-18 x .75
15	710-3008	1	/P	Screw, Hex Cap, 5/16-18 x .75
16	710-3178	4	/P	Bolt, Carriage, 3/8-16 x .75 GR5
17	711-3314	1	S	Pin, Roller, 1/2 Dia x 7.31
18	712-0239	1	S	Nut, Hex Lock, 1/2-20
19	712-0431	11	S	Nut, Flange Lock, 3/8-16
20	712-3004A	7	/P	Nut, Flange Lock, 5/16-18
21	712-3006	2	/P	Nut, Hex, 1/4-20 GR5
22	712-3010	6	S	Nut, Hex, 5/16-18, GR5
23	714-0115	1	S	Pin, Cotter, 1/8 Dia x 1
24	715-3003	2	/P	Pin, Spiral Spring, 3/16 Dia x .75
25	726-3045	2	/P	Button Plug
26	731-3005	1	/P	Front Roller
27	731-3316	1		Plug, Mulch
28	732-3127	2	S	Spring, Comp, .66 OD x 1.8
29	732-0861	1		Spring, Ext, .162 Dia x 1.25 OD
30	734-0973	2	/P	Wheel, Deck, 5.0 x 1.38
31	736-0105	2	/P	Washer, Bell, .401 x .870 x .063
32	736-0119	6	S	Washer, Lock, 5/16
33	736-0179	1	S	Washer, Flat, 1/2 x 1.25 x .10
34	736-0270	2	/P	Washer, Bell, .265 x .75 x .062
35	736-0272	4	S	Washer, Flat, .510 x 1 x .060
36	738-0143	1	/P	Bolt, Shoulder, .498 Dia x .340
37	738-0533	2	S	Screw, Shoulder, .498 x 1.635
38	738-3056	2	S	Bolt, Shoulder
39	741-0338	2	/P	Bearing, Flange, 3/4 ID x .52 LG
40	747-3188	2		Pin, Mower Support
41	750-3136	1	S	Spacer, .5 OD x .75 x 2.07 Lg
42	747-3172B	1	S	Rod, Front Lift
43	712-3048	2	S	Nut, Hex Jam, 1/2-13 GR5
44	736-0921	2	S	Washer, Lock, 1/2
45	738-0507B	2	S	Bolt, Shoulder, .50 Dia. x .494 Lg
46	712-3083	2	/P	Nut, Hex Insert Lock, 1/2-13
47	603-0200-0716	1	S	Bracket, Front Lift
48	777S30145	1	S	Graphic, Danger
49	736-0226	6	S	Washer, Flat, .474 x .88 x .064
50	732-3126	1	S	Spring, Ext, .91" OD x 7.33

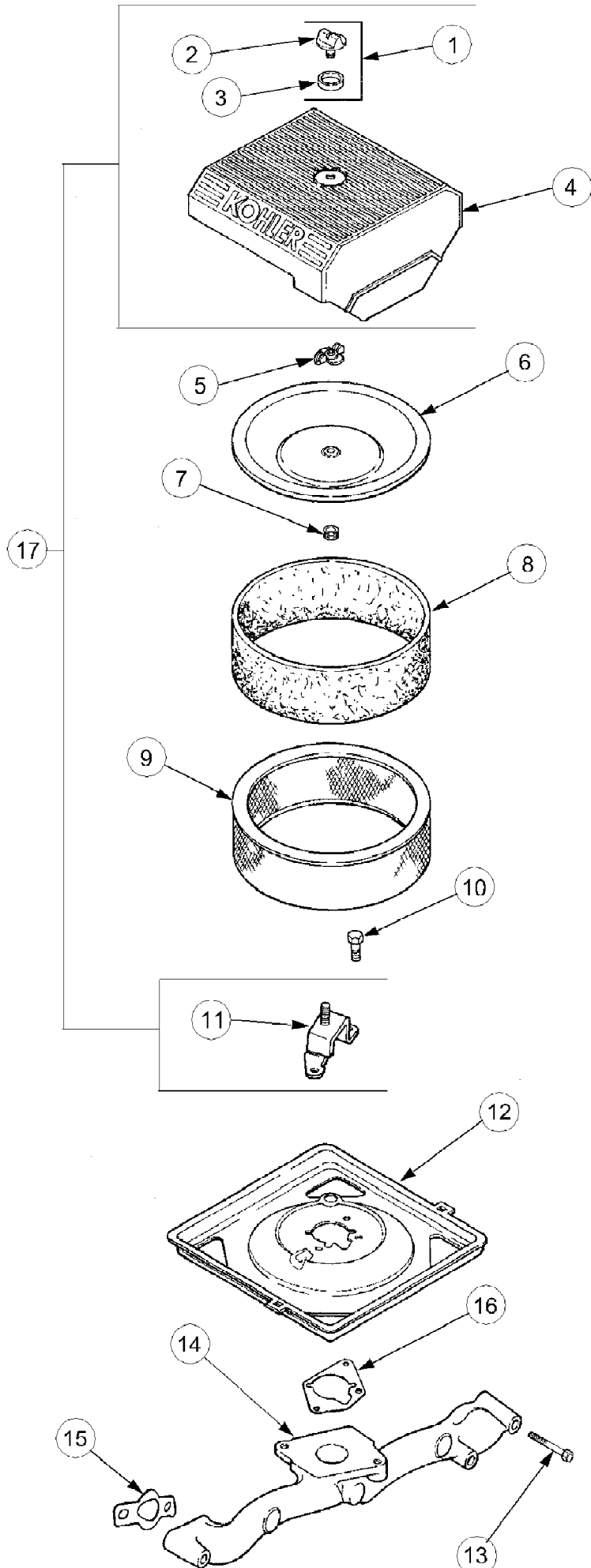


2518-44 Tractor
44" Deck Drive & Spindle Assembly

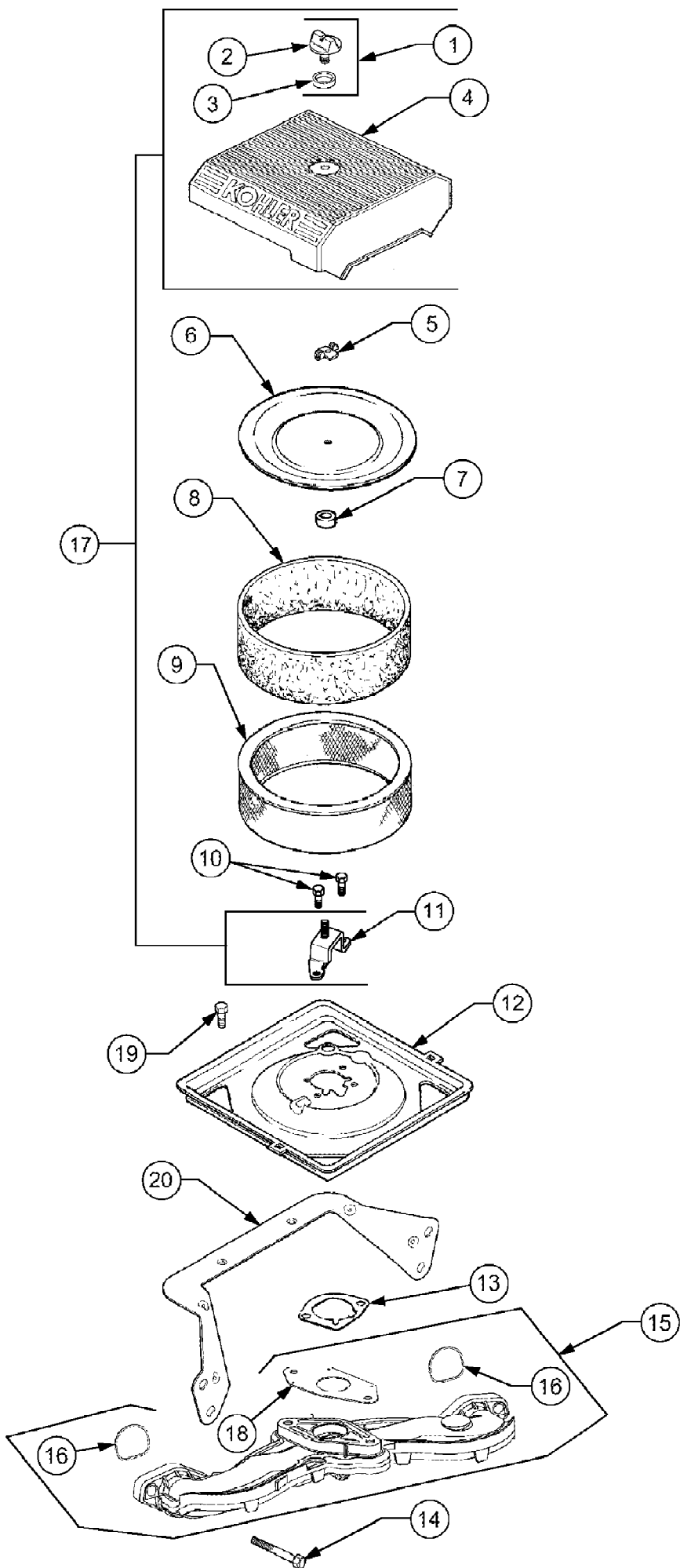
Page 4 of 89

Ref #	Part Number	Qty	S/P/F	Description
1	603-0857-0716	1		Idler Assembly
2	603-0203-0716	2	S	Handle, Tension
3	703-0118-0716	1		Idler Arm Assembly
4	918-3129A	3	S	Spindle Assembly Includes Ref. Nos. 35, 36, 37 and 38
5	710-0923	1	/P	Screw, Hex Cap, 5/8-18 x 3.0
6	710-1260A	12	/P	Screw, Hex Wash Ld, 5/16-18 x .75
7	710-1852	3		Bolt, Spindle, 3/4-16 x 5.37
8	710-3144	1	/P	Screw, Hex Cap, 3/8-16 x 2.0 GR5
9	712-0239	1	S	Nut, Hex Lock, 1/2-20
10	712-0431	3	S	Nut, Flange Lock, 3/8-16
11	712-3019	1	S	Nut, Hex, 7/16-14, GR2
12	712-3078	3	/P	Nut, Hex Flange, 3/4-16
13	716-3020	2	S	Snap Ring, Internal
14	732-0861	1		Spring, Ext, .162 Dia x 1.25 OD
15	732-3067	1		Torsion Spring, Idler, 1.10 ID x 1.3
16	736-0171	1	S	Washer, Lock, 7/16
17	736-0179	1	S	Washer, Flat, 1/2 x 1.25 x .10
18	736-0237	2	/P	Washer, Flat, .65 x 1.25 x .075
19	737-3000	6	S	Fitting, Lube, 3/16 Drive
20	738-0143	1	/P	Bolt, Shoulder, .498 Dia x .340
21	738-3172	1		Screw, Shldr, .68 x 2.11, 7/16-14
22	741-0338	2	/P	Bearing, Flange, 3/4 ID x .52 LG
23	741-1122	2		Bearing, Ball
24	759-3939	3	/P	Blade, Mower, 15.94
25	948-3020	3	/P	Spacer, Blade
26	748-3065	6	S	Spacer, Deck Spindle
27	748-3100	1		Retainer, Spring
28	750-3119	1	/P	Spacer, .406 ID x 1.00 OD x .38
29	750-3136	1	S	Spacer, .5 OD x .75 x 2.07 Lg
30	754-3039	1	S	V-Belt, 1/2 x 103.0 Lg
31	754-3068	1	S	V-Belt, B sect x 110.6 Lg
32	756-3005	2	/P	Pulley, Flat w/Flanges
33	756-3089	3		Pulley, V-Type, 4.0 Dia
34	756-3115	1	/P	Pulley, Double Lube Fitting NOT included.
35	721-3018A	6	S	Seal, Oil, 1.25 x 1.874 x .25
36	741-3028	6	S	Bearing, Cone
37	741-3029	6	/P	Cup, Bearing
38	750-3190A	3	/P	Spacer, Bring, .780 x .963 x .777
39	750-3132	1	S	Spacer, .88 x .635 x 1.25

2518-44 Tractor
Air Intake And Filtration Aluminum



Ref #	Part Number	Qty	S/P/F	Description
1	KH-54-755-01	1	S	Kit, Knob w/Seal (Incl. Ref #2, 3)
2	KH-25-341-03	1	/P	Knob, Cover
3	KH-24-153-20-S	1		Seal, Air Cleaner Cover Knob
4	KH-24-096-31	1	S	Cover, Air Cleaner
5	KH-12-100-01	1	/P	Wing Nut
6	KH-24-096-01	1	/P	Cover, Inner Air Cleaner
7	KH-24-032-03	1	/P	Seal, Inner Air Cleaner
8	KH-24-083-02	1	S	Precleaner, Element
9	KH-47-083-03	1	S	Element, Air Cleaner
10	KH-M-0639016	3	S	Screw, Hex Flange, M6 x 1.0 x 16
11	KH-24-126-21	1		Bracket, Air Cleaner Base
12	KH-24-094-03	1	S	Base, Air Cleaner
13	KH-M-0651055	4		Screw, Hex Flange, M6 x 1.0 x 55
14	KH-24-164-29	1		Manifold, Intake
15	KH-24-041-01	2	/P	Gasket, Intake Manifold
16	KH-24-041-06	1	/P	Gasket, Air Cleaner Base
17	KH-24-743-08	1		Kit, Air Cleaner Cover (Incl 1-4, 11)



Air Intake And Filtration Plastic

Ref #	Part Number	Qty	S/P/F	Description
1	KH-54-755-01	1	S	Kit, Knob w/Seal (Incl. Ref #2,3)
2	KH-25-341-03	1	/P	Knob, Cover
3	KH-24-153-20-S	1		Seal, Air Cleaner Cover Knob
4	KH-24-096-69-S	1	/P	Cover, Air Cleaner
5	KH-12-100-01	1	/P	Wing Nut
6	KH-24-096-01	1	/P	Cover, Inner Air Cleaner
7	KH-24-032-03	1	/P	Seal, Inner Air Cleaner
8	KH-24-083-02	1	S	Precleaner, Element
9	KH-47-083-03	1	S	Element, Air Cleaner
10	KH-M-0639016	3	S	Screw, Hex Flange, M6 x 1.0 x 16
11	KH-24-126-21	1		Bracket, Air Cleaner Base
12	KH-24-094-24-S	1	S	Base, Air Cleaner
13	KH-24-041-06	1	/P	Gasket, Air Cleaner Base
14	KH-M-0651040-S	4		Screw, Hex Flange, M6 x 1.0 x 40
15	KH-24-164-54-S	1	S	Manifold, Intake (Includes Carb Gasket KH-24-041-53-S and (2) O-Rings KH-24-153-27-S)
16	KH-24-153-27-S	2	/P	O-Ring, Intake Manifold
17	KH-24-743-08	1		Kit, Air Cleaner Cover (Incl 1-4, 11)
18	KH-24-041-53-S	1		Gasket, Carburetor
19	KH-M-0545010	2	/P	Screw, Hex Flng, M5 x 0.8 x 10
20	KH-24-126-130-S	1		Bracket, Air Cleaner Base