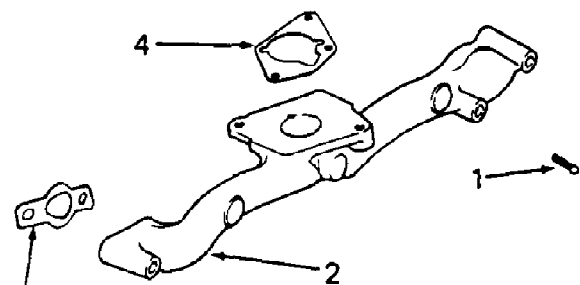
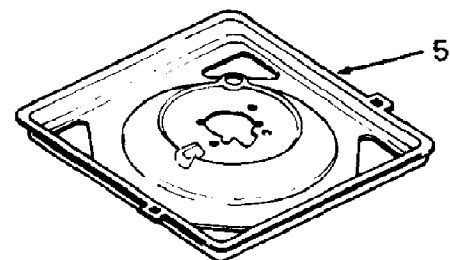
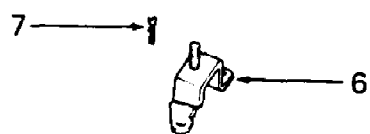
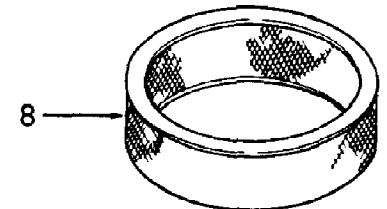
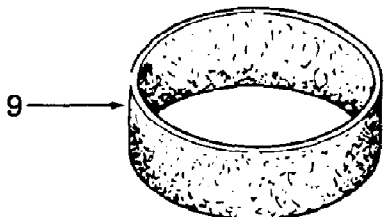
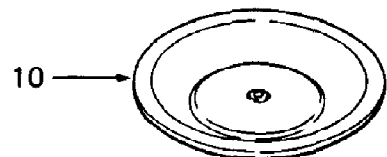
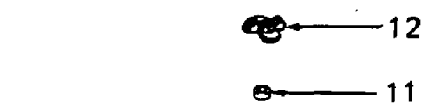
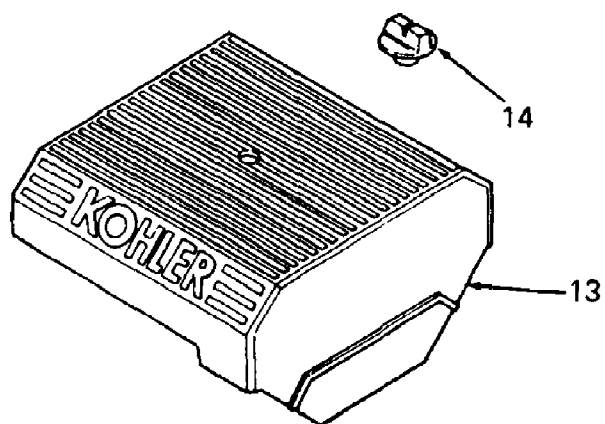
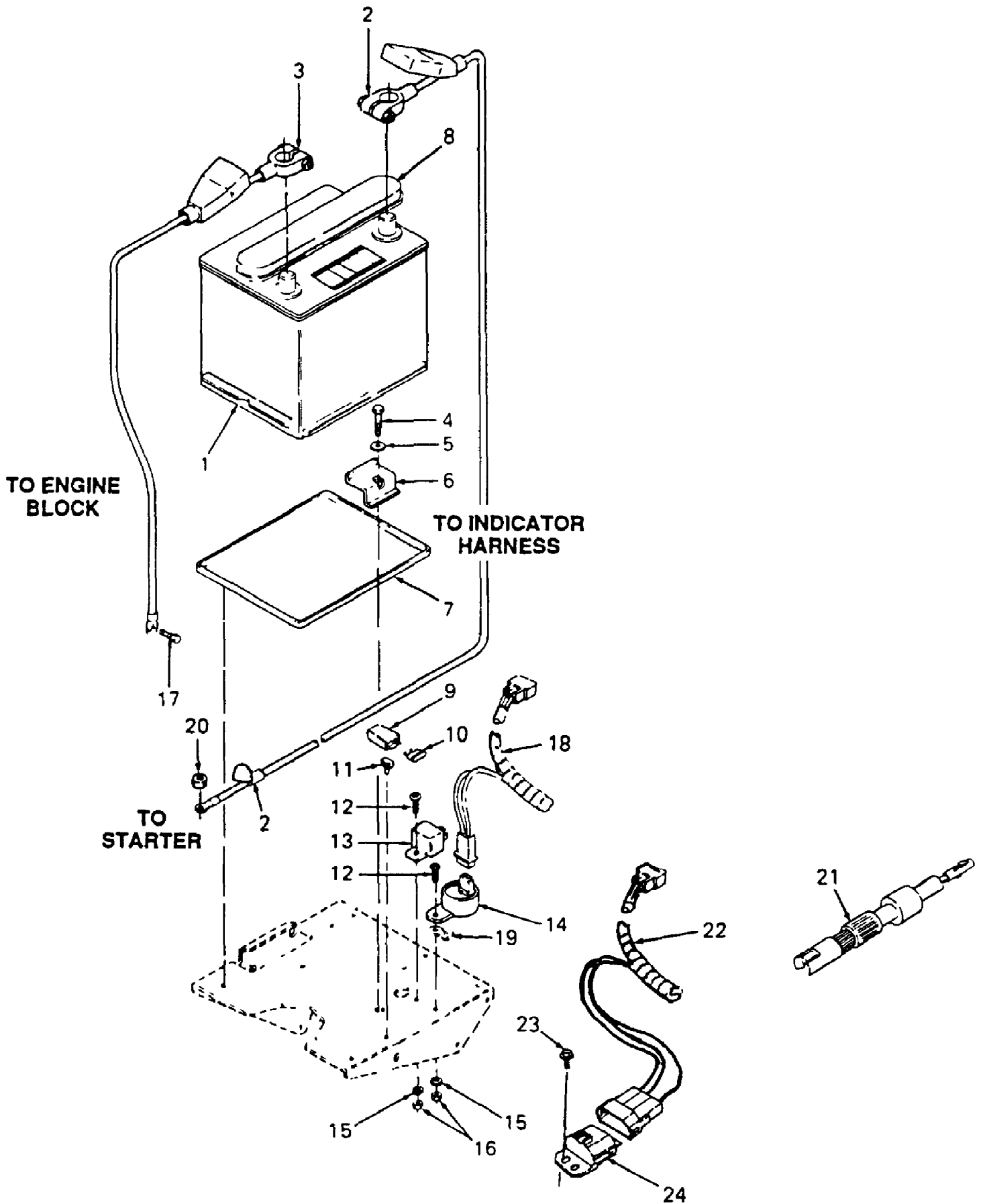


2284 S/N 864,501 - 899,000
Air Intake/Filtration



2284 S/N 864,501 - 899,000
Air Intake/Filtration

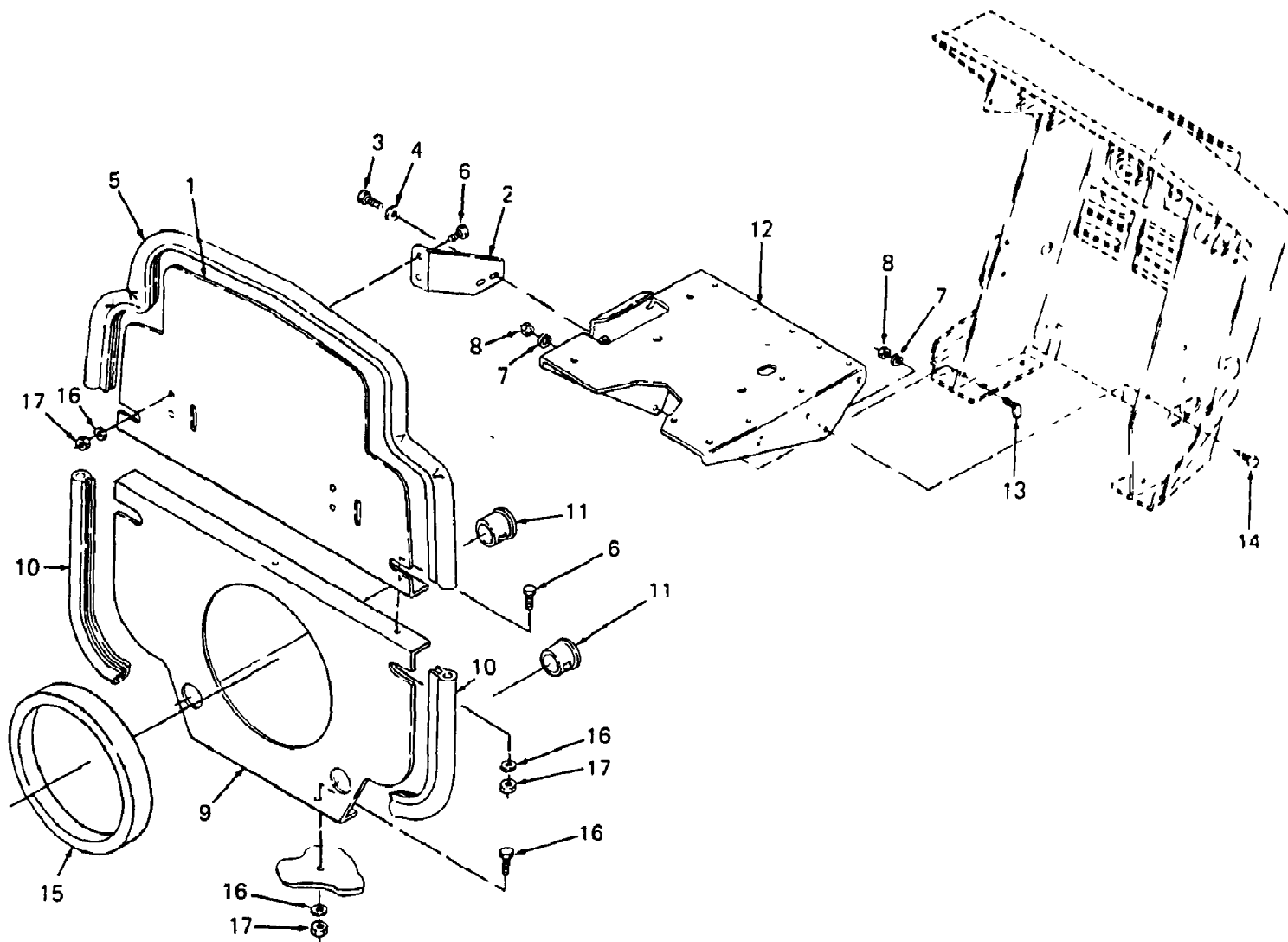
| Ref # | Part Number | Qty | S/P/F | Description |
|-------|--------------|-----|-------|--------------------------|
| 1 | KH-M-0639055 | 4 | S | Screw, M6 x 1.0 x 18 |
| 2 | KH-24-164-14 | 1 | /P | Manifold, Intake |
| 3 | KH-24-041-01 | 2 | /P | Gasket, Intake Manifold |
| 4 | KH-24-041-06 | 1 | /P | Gasket, Air Cleaner Base |
| 5 | KH-24-094-03 | 1 | S | Base, Air Cleaner |
| 6 | KH-24-126-21 | 1 | | Bracket, Air Cleaner |
| 7 | KH-M-0639016 | 3 | S | Screw, M6 x 1.0 x 13 |
| 8 | KH-47-083-03 | 1 | S | Element, Air Cleaner |
| 9 | KH-24-083-02 | 1 | S | Element, Pre-Cleaner |
| 10 | KH-24-096-01 | 1 | /P | Cover, Inner Air Cleaner |
| 11 | KH-24-032-03 | 1 | /P | Seal, Air Intake |
| 12 | KH-12-100-01 | 1 | /P | Nut, Wing |
| 13 | KH-24-096-31 | 1 | S | Cover, Air Cleaner |
| | KH-24-113-24 | 1 | | Decal, Horsepower |
| 14 | KH-25-341-02 | 1 | S | Knob, Cover |



2284 S/N 864,501 - 899,000
 Battery And Electrical Components

Page 4 of 93

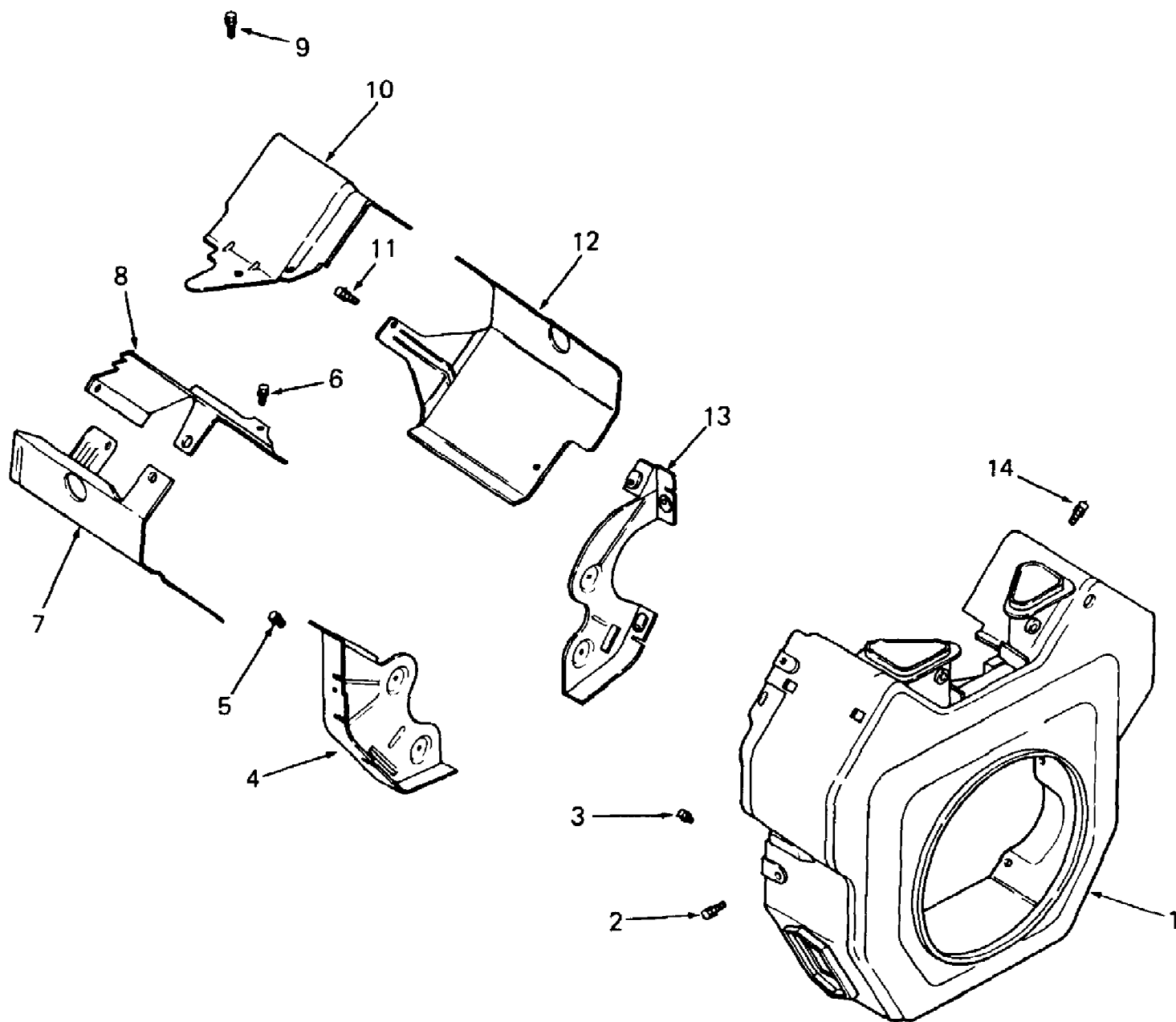
| Ref # | Part Number | Qty | S/P/F | Description |
|-------|-------------|-----|-------|---|
| 1 | 725-3174 | 1 | S | Battery |
| 2 | 725-3220 | 1 | | Cable, Positive Battery |
| 3 | 725-3221 | 1 | | Cable, Negative Battery |
| 4 | 710-3083 | 1 | /P | Screw, Hex Cap, 5/16-18 x 1.38 Lg |
| 5 | 736-0275 | 1 | S | Washer, Flat, .34 x .68 x .062 Thk |
| 6 | 703-1823 | 1 | S | Hold Down, Battery |
| 7 | 731-3105 | 1 | | Tray, Battery |
| 8 | 759-3653 | 1 | | Cap, Battery Vent |
| | 759-3654 | 1 | | Tube, Battery Vent |
| 9 | 729-0207 | 1 | | Holder, Fuse |
| 10 | 725-1381 | 1 | S | Fuse, 20 Amp |
| 11 | 729-0209 | 1 | | Clip, Fuse Holder Mtg |
| 12 | 710-0473 | 2 | /P | Screw, Truss Mach, #10-24 x .50 Lg |
| 13 | 725-1375 | 1 | S | Relay |
| 14 | 725-3165 | 1 | S | Indicator, Voltage Serial no. 880,000 & below |
| 15 | 736-0722 | 2 | S | Washer, Lock, #10 |
| 16 | 712-0121 | 2 | S | Nut, Hex, #10-24 |
| 17 | 710-3175 | 1 | /P | Screw, Hex Cap, M8-1.25 x 14 MM Lg |
| 18 | 725-3248 | 1 | S | Harness, Main Wire Serial no. 880,000 & below |
| 19 | 725-3147 | 1 | | Lug, Quick Connect Serial no. 880,000 & below |
| 20 | 712-3077 | 1 | /P | Nut, Hex, M8-1.25 GR8.8 |
| 21 | 759-3675 | 1 | | Diode Assy Located in upper connector block of main harness |
| 22 | 629-3024 | 1 | | Harness, Main Wire Serial no. 880,001 & above |
| 23 | 710-0599 | 1 | /P | Screw, Hex Wash Hd TT, 1/4-20 x .50 Lg |
| 24 | 725-3251 | 1 | S | Module, Voltage Sensor Serial no. 880.001 & above |



2284 S/N 864,501 - 899,000
 Battery Tray And Bulkhead

| Ref # | Part Number | Qty | S/P/F | Description |
|-------|-------------|-----|-------|--|
| 1 | 703-2144 | 1 | | Bulkhead, Upper |
| 2 | 703-2142 | 2 | | Bracket, Bulkhead |
| 3 | 710-3039 | 2 | /P | Screw, Hex Cap, 5/16-18 X.50 Lg GR5 |
| 4 | 736-0242 | 2 | /P | Washer, Bell, .345 x .88 x .060 Thk |
| 5 | | 1 | | Seal, Bulkhead, 36" Lg Order Part No. 723-3004, 56" Lg, & cut to fit |
| 6 | 710-3013 | 8 | /P | Screw, Hex Cap, 1/4-20 x .50 Lg GR5 |
| 7 | 736-0329 | 4 | S | Washer, Lock, 1/4 |
| 8 | 712-3006 | 4 | /P | Nut, Hex, 1/4-20 GR5 |
| 9 | 703-2143 | 1 | | Bulkhead, Lower |
| 10 | | 2 | | Seal, Bulkhead, 10" Lg Order Part No. 723-3060, 17" Lg, & cut to fit |
| 11 | 723-3042 | 2 | /P | Bushing, Snap, 7/8 ID |
| 12 | 703-1827 | 1 | S | Tray Assy, Battery |
| 13 | 710-3012 | 1 | | Bolt, J-Type, 1/4-20 |
| 14 | 710-0751 | 3 | /P | Screw, Hex Cap, 1/4-20 x .62 Lg GR5 |
| 15 | 723-3062 | 1 | | Ring, Foam Sealing |
| 16 | 736-0270 | 8 | /P | Washer, Bell, .265 x .75 x .062 Thk |
| 17 | 712-3051 | 8 | /P | Nut, Hex Top Lock, 1/4-20 |
| | 723-3004 | 1 | /P | Seal, Bulkhead, 56" Lg. |
| | 723-3060 | 1 | | Seal, Bulkhead, 17" Lg. |

2284 S/N 864,501 - 899,000
Blower Housing And Baffles



2284 S/N 864,501 - 899,000
Blower Housing And Baffles

Page 8 of 93

| Ref # | Part Number | Qty | S/P/F | Description |
|-------|---------------|-----|-------|--|
| 1 | KH-24-027-19 | 1 | | Housing, Blower |
| 2 | KH-M-0549016 | 3 | S | Screw, M5 x 0.8 x 16 |
| 3 | KH-M-0551016 | 1 | | Screw, M5 x 0.8 x 14 |
| 4 | KH-24-146-02 | 1 | S | Plate, Backing #2 Side |
| 5 | KH-M-0645016 | 4 | S | Screw, M6 x 1.0 x 16 |
| 6 | KH-M-0649016 | 2 | | Screw, M6 x 1.0 x 16 |
| 7 | KH-24-063-20 | 1 | /P | Baffle, Cylinder Barrel #2 Side |
| 8 | KH-24-063-17 | 1 | /P | Baffle, Valley #2 Side |
| 9 | KH-M-0549010 | 2 | S | Screw, M5 x 0.8 x 10 |
| 10 | KH-24-063-24 | 1 | S | Baffle, Valley #1 Side |
| 11 | KH-M-0549016 | 2 | S | Screw, M5 x 0.8 x 16 |
| 12 | KH-24-063-08 | 1 | S | Baffle, Cylinder Barrel #1 Side |
| 13 | KH-24-146-08 | 1 | S | Plate, Backing #1 Side |
| 14 | KH-SM-0545020 | 2 | S | Screw, M5 x 0.8 x 20 |
| | KH-24-100-01 | 3 | | Nut, Plastic Included w/blower housing |
| | KH-24-100-02 | 2 | | Nut, Plastic Included w/blower housing |
| | KH-25-086-43 | 1 | | Screw, Set Included w/blower housing |
| | KN-25-139-16 | 1 | | Plug, Button, 9/16 Included w/blower housing |

