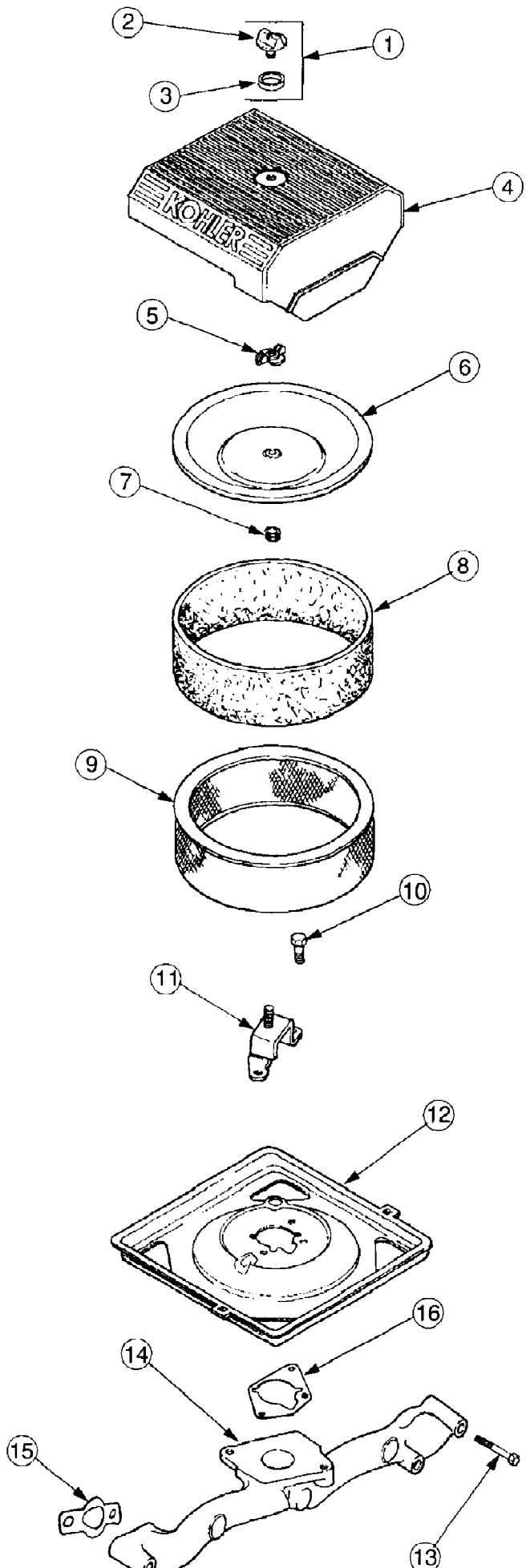


2185 Tractor S/N 326,006 - 389,000 & 11017G - 11310G
Air Intake And Filtration

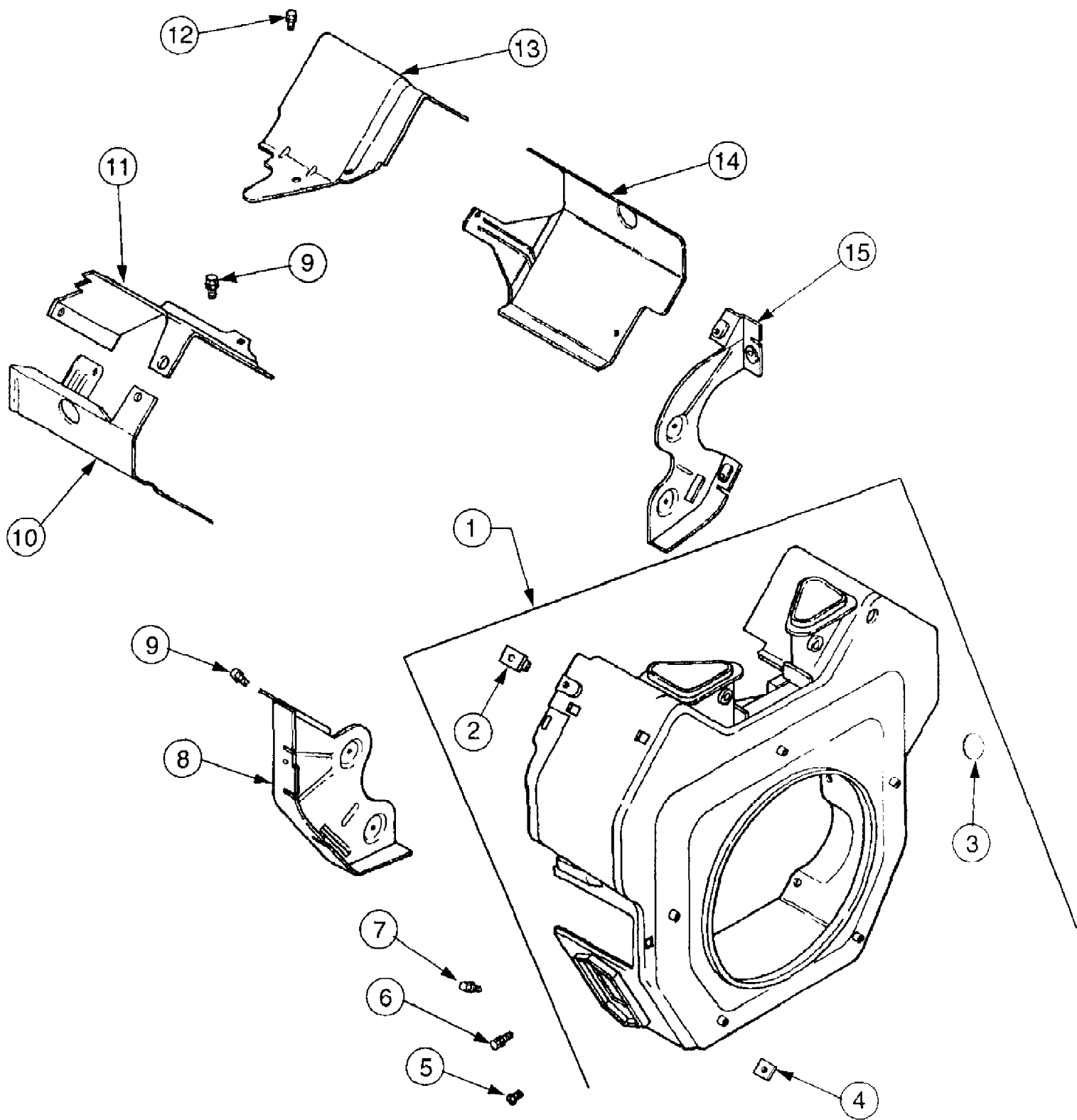


Ref #	Part Number	Qty	S/P/F	Description
1	KH-54-755-01	1	S	Kit, Knob w/Seal (Includes 2, 3)
2	KH-25-341-03	1	/P	Knob, Cover
3	KH-24-153-15	1		Seal, Air Cleaner Cover Knob
4	KH-24-096-31	1	S	Cover, Air Cleaner
5	KH-12-100-01	1	/P	Wing Nut
6	KH-24-096-01	1	/P	Cover, Inner Air Cleaner
7	KH-24-032-03	1	/P	Seal, Inner Air Cleaner
8	KH-24-083-02	1	S	Precleaner, Element
9	KH-47-083-03	1	S	Element, Air Cleaner
10	KH-M-0639016	3	S	Screw, Hex Flange, M6 x 1.0 x 16
11	KH-24-126-21	1		Bracket, Air Cleaner Base
12	KH-24-094-03	1	S	Base, Air Cleaner
13	KH-M-0651055	4		Screw, Hex Flange, M6 x 1.0 x 55
14	KH-24-164-14	1	/P	Manifold, Intake
15	KH-24-041-01	2	/P	Gasket, Intake Manifold
16	KH-24-041-06	1	/P	Gasket, Air Cleaner Base

Ref #	Part Number	Qty	S/P/F	Description
1	629-3020	1	S	Wire Harness, Main S/N G319 and prior
	629-3068	1	S	Wire Harness, Main S/N H019 and after
	725-0157	4	/P	Tie, Self-Clinch Cable
	726-0154	5	S	Tie, Pushmount
	726-3055	9		Clip, Cable
2	710-0751	1	/P	Screw, Hex Cap, 1/4-20 x .625 GR5
3	710-0936	2		Screw, Truss Hd Tapp, #6 x .62
4	711-1094	1		Stud, Ground
5	712-0267	1	S	Nut, Hex, 5/16-18
6	712-0271	1	/P	Nut, Hex Sems, 1/4-20
7	721-0342	1	S	Gasket, Silicone
8	723-0445	1	S	Strap, Battery Retainer (S/N 359001 & Above - used w/725-1707B battery;
9	723-3064	1		Strap, Battery Retainer (S/N 359000 & Below - used w/753-0608 battery;
10	725-0340	1		Cover, Terminal Black
11	725-1346	1	S	Nut, Ignition Switch
12	725-1347	1	/P	Cap, Ignition Switch
13	725-1365	3	S	Bulb, Indicator
14	725-1381	2	S	Fuse, 20 Amp
15	725-1648	1	S	Relay
16	725-3007A	1	/P	Cover, Terminal Red
17	725-3159	1	S	Hour Meter
18	725-3163	1	S	Switch, Ignition
19	725-3164A	1	S	Switch, Interlock (Brake)
20	725-3166	2	S	Switch, Snap Mount - Normally Closed
21	725-3233	1	S	Switch, PTO
22	725-3234	1	S	Switch, Seat
23	725-3237	1		Cover, Terminal Red
24	725-3251	1	S	Module, Voltage Sensor
25	729-0207	2		Holder, Fuse (S/N 359000 and Below)
	729-0357	2		Holder, Fuse w/Mounting Clip (S/N 359001 and Above)
26	729-0209	2		Clip, Fuse Holder Mounting (S/N 359000 and Below)
27	732-0696	1		Hook, Wire Rectangular
28	736-0607	1	/P	Washer, External Lock, 5/16
29	753-0608	1	/P	Battery (S/N 359,000 & Below)
	725-1707B	1	S	Battery (S/N 359,001 thru 389,000 & I016G thru K037G)
	725-1707C	1	S	Battery (S/N K037G thru I018G)
	725-1706	1	S	Battery (S/N I018G to Present)
30	759-3476A	1	S	Key, Ignition (Set of 2)
31	759-3693	2	S	Bulb, Head Lamp
32	759-3749	1	/P	Battery Cable Hardware (Set of 2; used with 753-0608 Battery)
	710-3015	2	/P	Screw (Used with 725-1707B/C)
	712-0271	2	/P	Sems Nut (Used with 725-1707B/C)
33	759-3750	6		Cap, Battery (Used w/753-0608 Batt.)
	725-0691	6		Cap, Battery (Used w/725-1707B Batt.)

2185 Tractor S/N 326,006 - 389,000 & 11017G - 11310G
Battery, Electrical Components And Switches

Ref #	Part Number	Qty	S/P/F	Description
34	783-0462	1	/P	Bracket, PTO Switch Retainer



Ref #	Part Number	Qty	S/P/F	Description
1	KH-24-027-20	1	S	Housing, Blower (Includes 2-4)
2	KH-24-100-02	2		Nut, Plastic
3	KH-25-139-16	1		Plug, Button, 9/16
4	KH-24-100-01	3		Nut, Plastic
5	KH-M-0551016	1		Screw, Hex Flange, M5 x 0.8 x 16
6	KH-M-0545016	5	S	Screw, Hex Flange, M5 x 0.8 x 16
7	KH-M-0545020	2	/P	Screw, Hex Flange, M5 x 0.8 x 20
8	KH-24-146-02	1	S	Plate, Backing - #2 Side
9	KH-M-0645016	6	S	Screw, Hex Flange, M6 x 1.0 x 16
10	KH-24-063-20	1	/P	Baffle, Cylinder Barrel - #2 Side
11	KH-24-063-17	1	/P	Baffle, Valley - #2 Side
12	KH-M-0545010	2	/P	Screw, Hex Flange, M5 x 0.8 x 10
13	KH-24-063-24	1	S	Baffle, Valley - #1 Side
14	KH-24-063-08	1	S	Baffle, Cylinder Barrel - #1 Side
15	KH-24-146-08	1	S	Plate, Backing - #1 Side