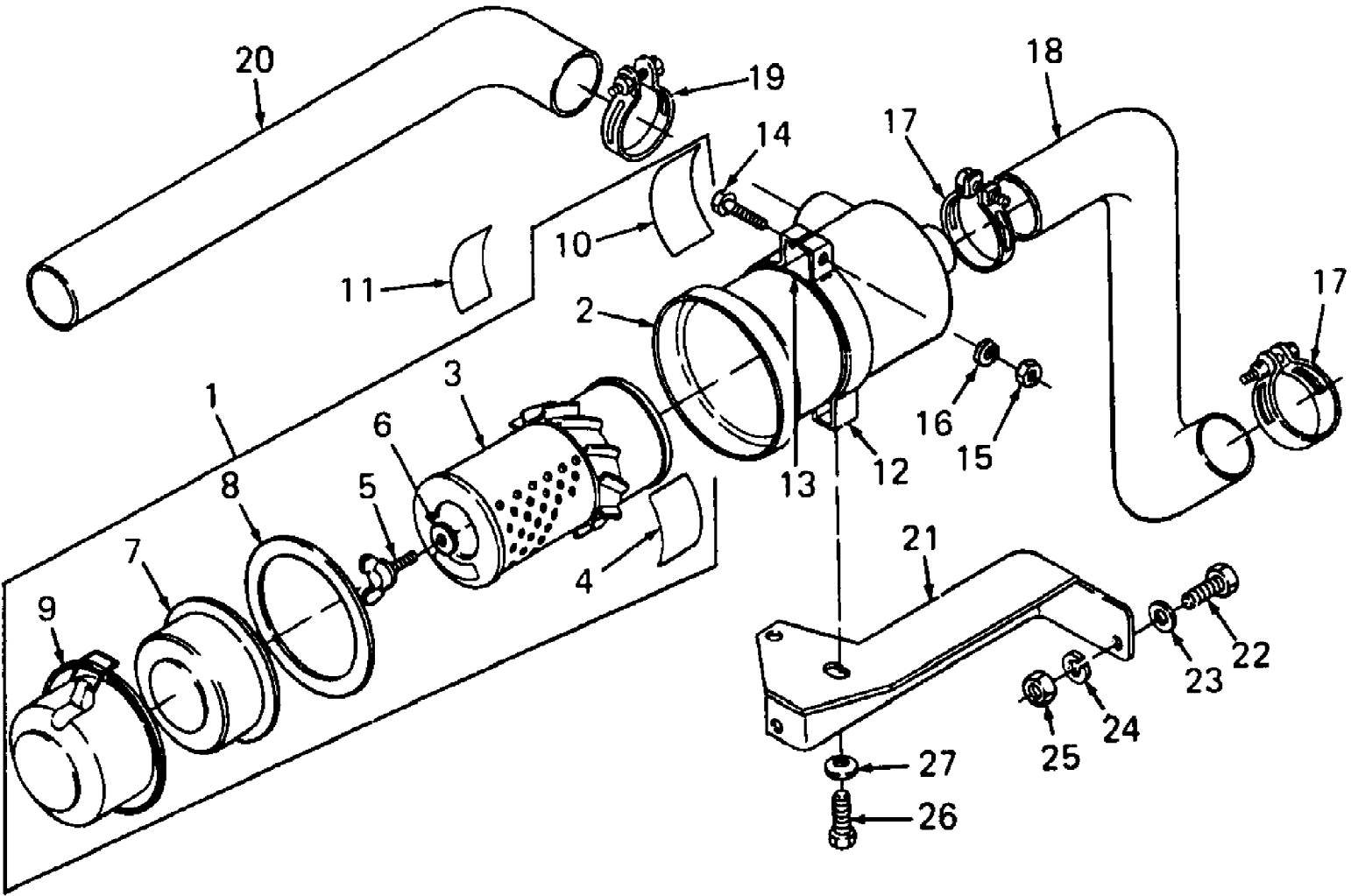


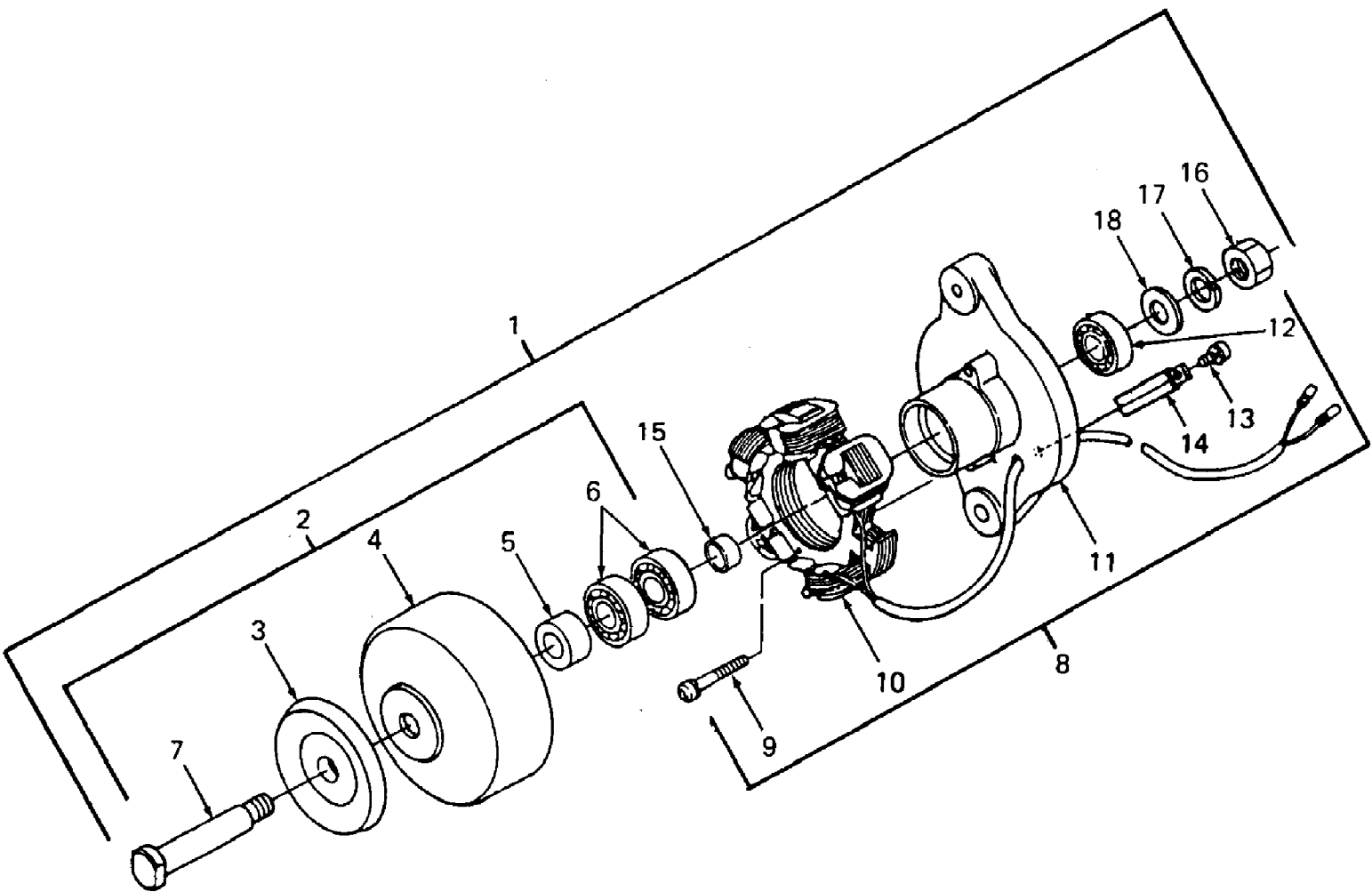
Air Cleaner



2182 S/N 816,536 - 821,059  
Air Cleaner

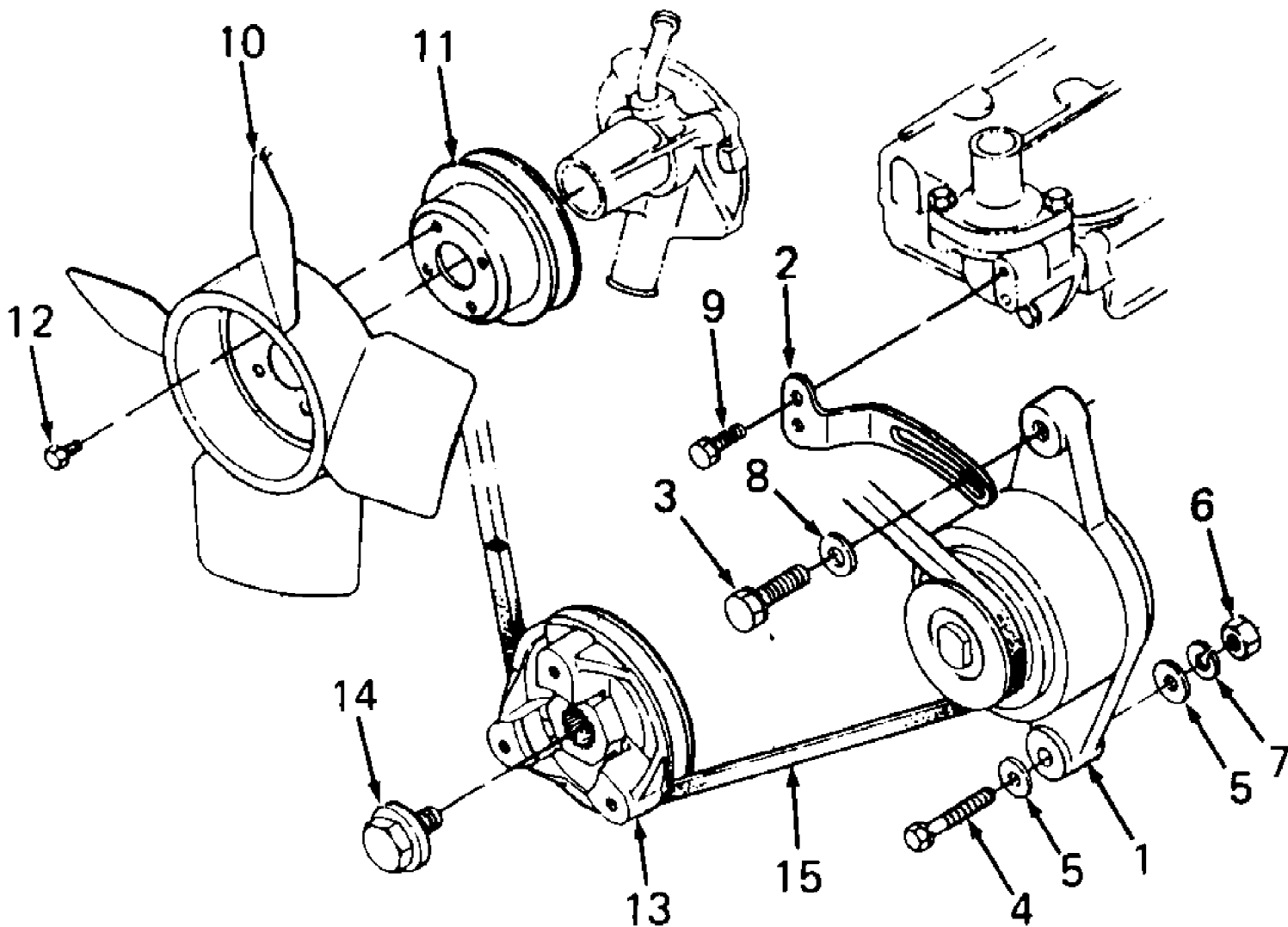
Page 2 of 118

Ref #	Part Number	Qty	S/P/F	Description
1	KB-19488-11010	1		Air Cleaner Assy
2	KB-15241-11150	1		Body, Air Cleaner
3	KB-70000-11221	1	/P	Element, Air Cleaner
4	KB-15227-87480	1		Label, Air Cleaner Element
5	KB-15221-92620	1	/P	Bolt, Wing
6	KB-15221-94430	1		Washer w/Rubber
7	KB-15221-11410	1		Cover, Baffle
8	KB-15221-11170	1	/P	Gasket, Air Cleaner Cover
9	KB-15241-11160	1	/P	Cover, Air Cleaner
10	KB-15372-87452	1		Label, Air Cleaner
11	KB-19426-87900	1		Label, Ether Caution
12	KB-15371-11252	1	/P	Band, Air Cleaner
13	KB-15371-11870	1		Cushion
14	KB-01222-50830	1		Bolt
15	KB-02114-50080	1	/P	Nut
16	KB-04512-50080	1	S	Washer, Spring
17	726-3033	2		Clamp, Hose
18	735-3034	1		Hose, Carburetor Inlet
19	726-3037	1		Clamp, Hose
20	735-3033	1		Hose, Air Intake
21	703-1896	1		Bracket, Air Cleaner Mtg
22	710-3008	2	/P	Screw, Hex Cap, 5/16-18 X .75 Lg GR5
23	736-3070	2	/P	Washer, Flat, .344 X 1.5 X .105 Thk
24	736-0119	2	S	Washer, Lock, 5/16
25	712-3010	2	S	Nut, Hex, 5/16-18 GR5
26	710-3137	2		Screw, Hex Cap, M8-1.25 X 20 mm GR5
27	736-0242	2	/P	Washer, Bell, .345 X .88 X .060 Thk



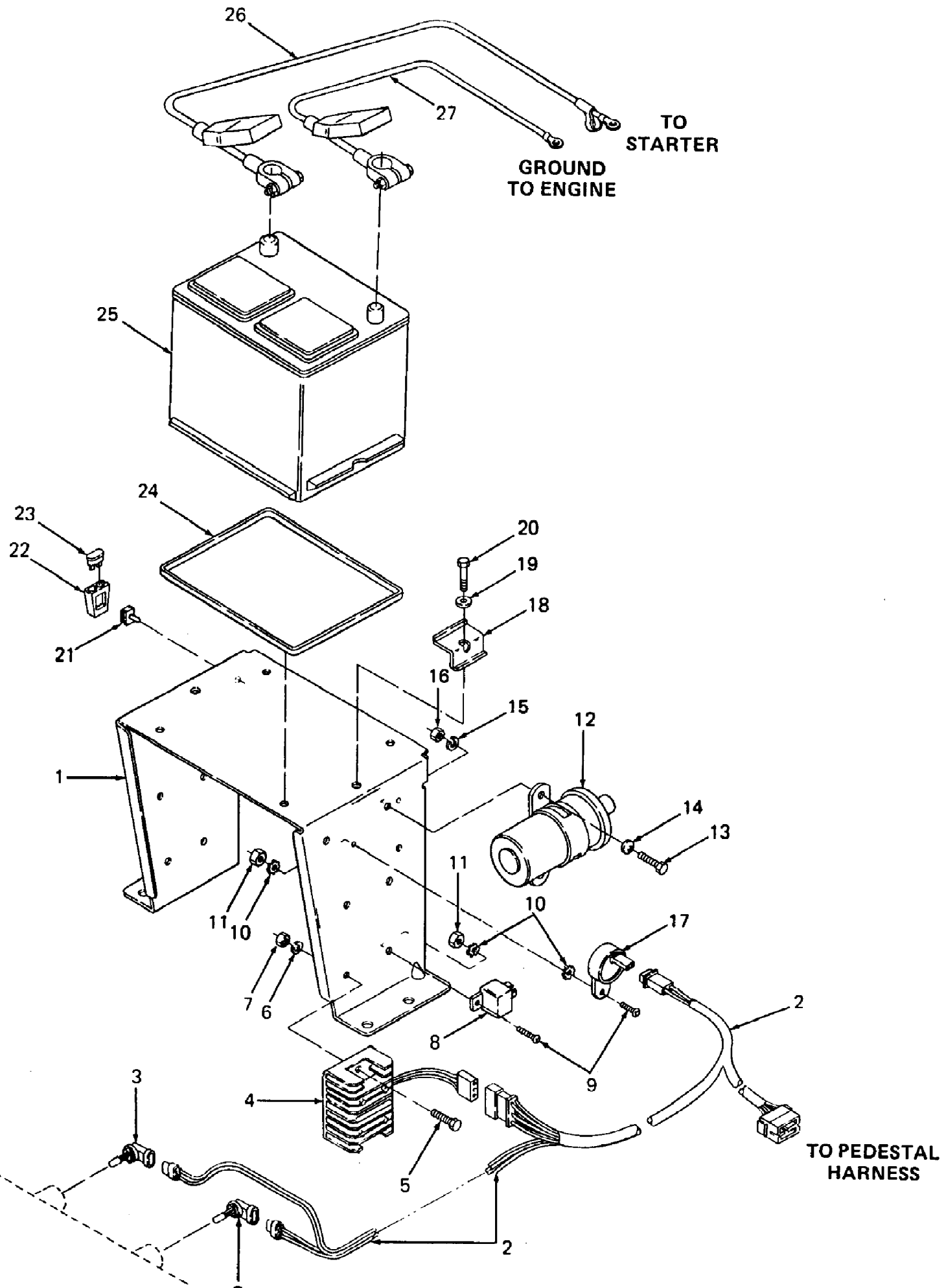
2182 S/N 816,536 - 821,059  
 Alternator Assembly

Ref #	Part Number	Qty	S/P/F	Description
1	KB-15531-64013	1	S	Alternator Assy
2	KB-15531-64122	1		Rotor Assy
3	KB-15531-64110	1		Pulley
4	KB-15531-64040	1		Rotor
5	KB-15531-64140	1		Collar #1
6	KB-08121-06201	2	/P	Bearing, Ball
7	KB-15531-74140	1		Shaft, Fan
8	KB-15531-64363	1		Stator Assy
9	KB-15261-93010	2		Screw, Round Head
10	KB-15531-64292	1	/P	Stator
11	KB-15531-64072	1	/P	Plate
12	KB-08121-06201	1	/P	Bearing, Ball
13	KB-15531-93010	1		Screw, Round Head
14	KB-15531-64190	1		Clamp, Cord
15	KB-15261-64150	1		Collar #2
16	KB-15261-92030	1		Nut
17	KB-15261-94070	1		Washer, Spring
18	KB-15261-94020	1		Washer, Plain



2182 S/N 816,536 - 821,059  
 Alternator Mounting & Fan

Ref #	Part Number	Qty	S/P/F	Description
1	KB-15531-64013	1	S	Alternator Assy
2	KB-15872-64420	1	S	Stay, Alternator
3	KB-01123-50825	1		Bolt
4	KB-01153-50855	1		Bolt
5	KB-04013-50080	2	/P	Washer, Plain
6	KB-02114-50080	1	/P	Nut
7	KB-04512-50080	1	S	Washer, Spring
8	KB-04015-50080	1		Washer, Plain
9	KB-01023-50616	2		Bolt
10	KB-15872-74110	1		Fan
11	KB-15841-74250	1		Pulley, Fan
12	KB-01754-50612	4		Bolt, Flange
13	KB-15861-74280	1	/P	Pulley, Fan Drive
14	KB-15881-91030	1		Bolt
15	KB-15881-97010	1	/P	V-Belt



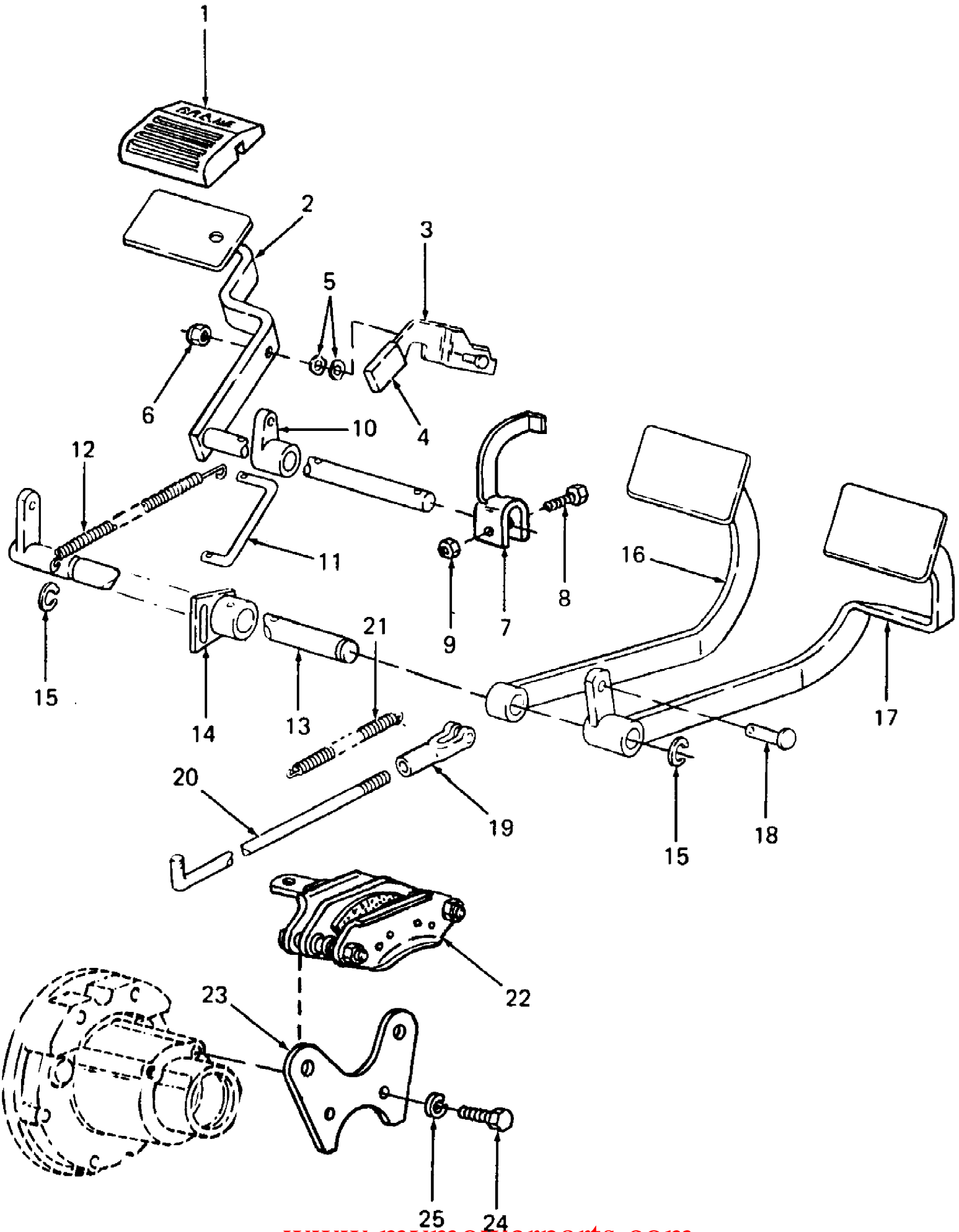
2182 S/N 816,536 - 821,059

Page 8 of 118

## Battery, Battery Tray &amp; Electrical Components

Ref #	Part Number	Qty	S/P/F	Description
1	703-1892	1		Tray Assy, Battery
	710-0751	2	/P	Screw, Hex Cap, 1/4-20 X .62 Lg GR5
	736-0329	2	S	Washer, Lock, 1/4
	712-3006	2	/P	Nut, Hex, 1/4-20 GR5
2	725-3184	1		Harness, Main
3	759-3693	2	S	Bulb, Head Lamp
4	KB-19267-64600	1	S	Rectifier
5	710-0106	2	/P	Screw, Hex Cap, 1/4-20 X 1.25 Lg
6	736-0329	2	S	Washer, Lock, 1/4
7	712-3006	2	/P	Nut, Hex, 1/4-20 GR5
8	725-1375	1	S	Relay
9	710-0473	2	/P	Screw, Truss Mach, #10-24 X .50 Lg
10	736-0147	3	S	Washer, External, #10
11	712-0121	2	S	Nut, Hex, #10-24
12	KB-15661-68902	1		Coil, Ignition
13	710-3008	2	/P	Screw, Hex Cap, 5/16-18 X .75 Lg GR5
14	736-0242	2	/P	Washer, Bell, .345 X .88 X .060 Thk
15	736-0119	2	S	Washer, Lock, 5/16
16	712-3010	2	S	Nut, Hex, 5/16-18 GR5
17	725-3165	1	S	Indicator, Voltage
18	703-1823	2	S	Hold Down, Battery
19	736-0275	2	S	Washer, Flat, .34 X .68 X .062 Thk
20	710-3103	2	/P	Screw, Hex Cap, 5/16-18 X 2.0 Lg
21	729-0209	1		Clip, Fuse Holder Mtg
22	729-0207	1		Holder, Fuse
23	725-1381	1	S	Fuse, 20 Amp
24	731-3105	1		Tray, Battery
25	725-3174	1	S	Battery
26	725-3199	1	S	Cable, Positive Battery
	726-0215	1		Strap, Tie
27	725-3192	1		Cable, Negative Battery





Ref #	Part Number	Qty	S/P/F	Description
1	724-3004	1	S	Pad, Brake Pedal
2	703-0848	1		Pedal Assy, Brake
	715-0114	1	S	Pin, Spiral Spring, 1/4 Dia X 1.50 Lg
3	703-1393	1		Bracket, Parking Brake
4	720-3019	1	S	Grip, Parking Brake
5	736-3001	2	/P	Washer, Wave, 1/4 Dia
6	712-0324	1	/P	Nut, Hex Insert Lock, 1/4-20
7	703-1956	1		Bracket, Start Switch
8	710-0106	1	/P	Screw, Hex Cap, 1/4-20 X 1.25 Lg
9	712-0291	1	S	Nut, Hex Center Lock, 1/4-20
10	748-3006	1	S	Lever, Brake
	715-0114	1	S	Pin, Spiral Spring, 1/4 Dia X 1.50 Lg
11	747-3023	1	/P	Rod, Center Brake
	714-0507	2	S	Pin, Cotter, 3/32 Dia X .75 Lg
	736-0185	2	S	Washer, Flat, .406 X .75 X .063 Thk
12	732-3010	1	S	Spring, Extension, .50 OD X 7.32 Lg
13	703-0223	1		Shaft Assy, Brake
14	703-0225	1	S	Arm Assy, Parking Brake Plate
	715-0114	1	S	Pin, Spiral Spring, 1/4 Dia X 1.50 Lg
15	716-3001	2	S	Ring, Retaining
16	703-0412	1		Pedal Assy, LH - Brake
	715-3000	1	S	Pin, Spiral Spring, 1/4 Dia X 1.38 Lg
17	703-0416	1		Pedal Assy, RH - Brake
	737-3000	1	S	Fitting, Lube, 3/16 Drive Type
18	711-3037	2	S	Pin, Clevis, 3/8 Dia X 1.56 Lg
	736-0185	2	S	Washer, Flat, .406 X .75 X .063 Thk
	714-0507	2	S	Pin, Cotter, 3/32 Dia X .75 Lg
19	719-3013	2	/P	Clevis, Adjustment
20	747-3022	2	/P	Rod, Brake
	712-3001	2	S	Nut, Hex Jam, 3/8-24 GR5
	736-0185	2	S	Washer, Flat, .406 X .75 X .063 Thk
	714-0474	2	S	Pin, Cotter, 1/8 Dia X .75 Lg
21	732-3026	2		Spring, Extension, .66 OD X 3.3 Lg
22	759-3423	2		Kit, Brake Caliper
23	703-1787	2		Bracket, Brake Mounting
24	710-0376	4	/P	Screw, Hex Cap, 5/16-18 X 1.0 Lg GR5
25	736-0119	4	S	Washer, Lock, 5/16