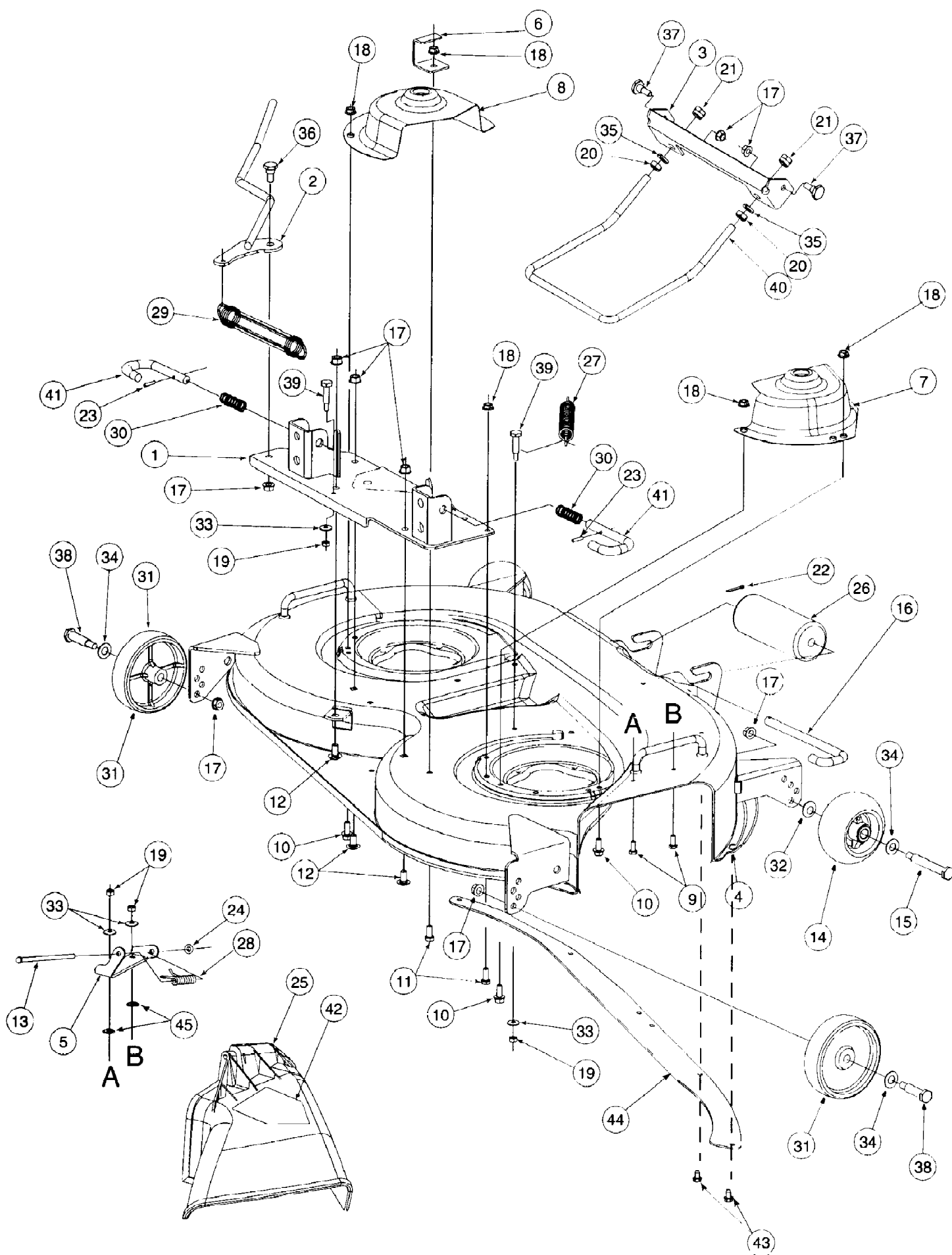


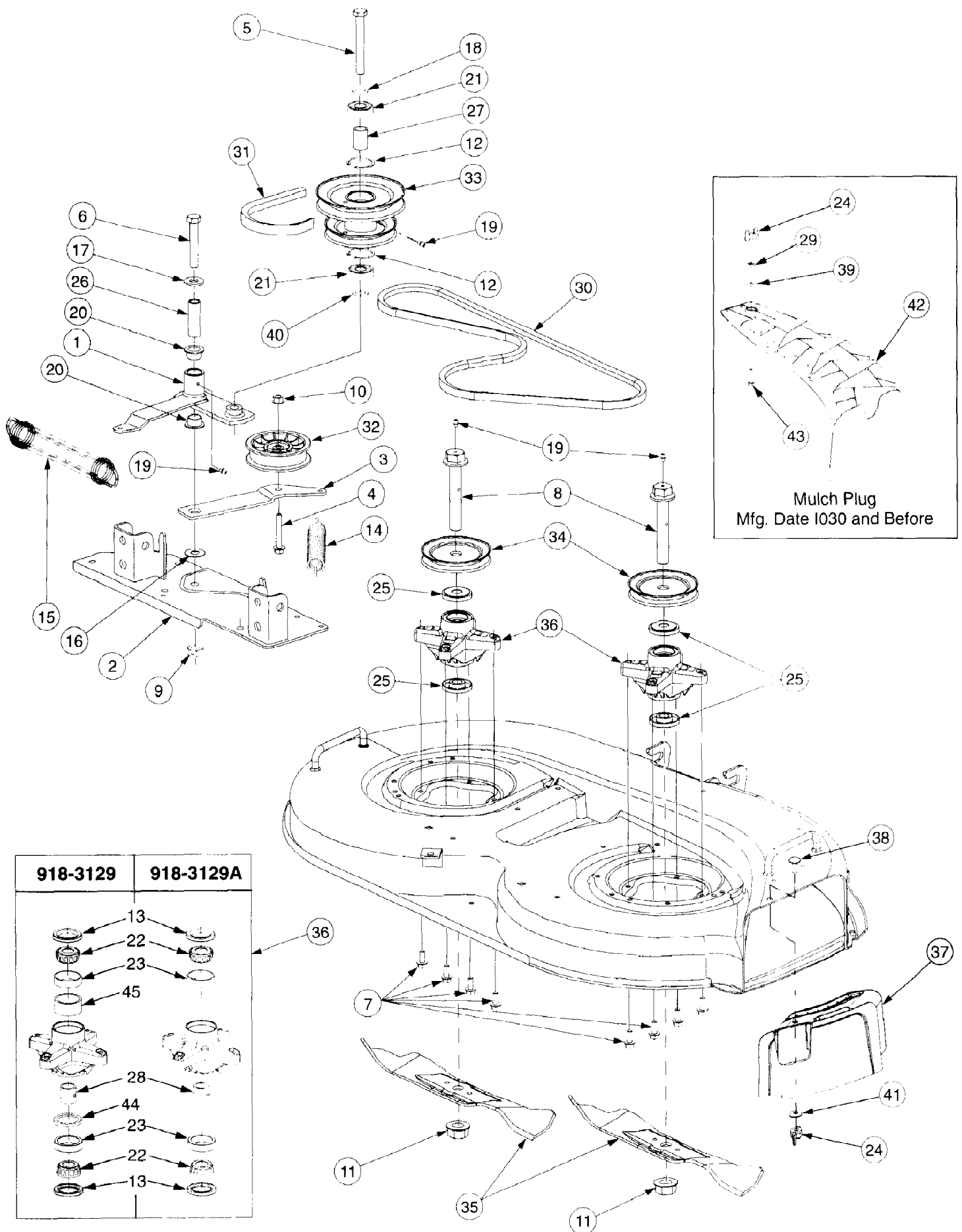
2176 Tractor
42" Deck Assembly



2176 Tractor
42" Deck Assembly

Page 2 of 75

Ref #	Part Number	Qty	S/P/F	Description
1	603-0181A-0716	1	S	Plate Assembly, Mounting
2	603-0199	1		Handle, Tension
3	603-0200-0716	1	S	Bracket, Front Lift
4	603-0409A-0716	1	S	Deck Assembly
	777S30503	1	/P	Graphic, Danger Keep Hands Away
	777S30014	1	/P	Graphic, Caution Under Spring Tension
	777S30018	1	/P	Graphic, Danger Avoid Serious Injury
5	703-1693A	1	/P	Bracket, Hinge Mounting
6	703-2559-0716	1	/P	Bracket, Handle Stop
7	703-3237-0716	1	/P	Shield, RH Pulley
8	703-2945	1		Shield, LH Pulley
9	710-0751	2	/P	Screw, Hex Cap, 1/4-20 x .62 GR5
10	710-1260A	3	/P	Screw, Hx Wsh Hd Tapp, 5/16-18 x .75
11	710-3008	2	/P	Screw, Hex Cap, 5/16-18 x .75 GR5
12	710-3178	3	/P	Bolt, Carriage, 3/8-16 x .75
13	711-0792	1	S	Pin, Hinge, .25 Dia x 6.75 Lg
14	703-1890	2	S	Wheel, Deck w/Fitting
	737-0280	2	S	Lube, Fitting
15	738-3056	2	S	Bolt, Shoulder, 1/2 x 2.5
16	711-3314	1	S	Pin, Roller, 1/2 Dia x 7.31 Lg
17	712-0431	10	S	Nut, Hex Flange Lock, 3/8-16
18	712-3004A	5	/P	Nut, Hex Flange Lock, 5/16-18 GR5
19	712-3006	4	/P	Nut, Hex, 1/4-20
20	712-3048	2	S	Nut, Hex Jam, 1/2-13 GR5
21	712-3083	2	/P	Nut, Hex Insert Lock, 1/2-13
22	714-3004	1		Pin, Cotter, 3/32 x 1.25
23	715-3003	2	/P	Pin, Spiral Spring, 3/16 x .75
24	726-0106	1	S	Cap, Speed Nut
25	731-1032	1	S	Deflector Assy, (Incl. Ref #5, 13, 24 & 28)
26	731-3005	1	/P	Roller
27	732-0262	1	S	Spring, Extension, .88 OD x 6.12
28	732-0602	1	S	Spring, Torsion
29	732-3115	1	/P	Spring, Extension, 1.25 OD x 8.15
30	732-3127	2	S	Spring, Compression
31	734-0973	2	/P	Wheel, Deck, 5 in. Dia
32	736-0105	2	/P	Washer, Bell, .401 x .870 x .063
33	736-0270	4	/P	Washer, Bell, .265 x .75 x .062
34	736-0272	4	S	Washer, Flat, .510 x 1.0 x .060
35	736-0921	2	S	Washer, Lock, 1/2
36	738-0143	1	/P	Bolt, Shoulder, .498 Dia x .340 Lg
37	738-0507B	2	S	Bolt, Shoulder, .50 Dia x .434 Lg
38	738-0533	2	S	Bolt, Shoulder, .498 Dia x 1.64 Lg
39	738-0572	2	S	Bolt, Shoulder, .375 Dia x 1.16 Lg
40	747-3172A	1	S	Rod, Front Lift
41	747-3188	2		Pin, Mower Support
42	777S30145	1	S	Graphic, Danger
43	710-0599	5	/P	Screw, Self Tapping, 1/4-20 x .5 (Mfd Date I040 and After)
44	783-1146A	1	S	Skirt, Deck (Mfd Date I040 and After)
45	726-0233	2	/P	Nut, Push, 1/4



2176 Tractor
42" Spindle Assembly

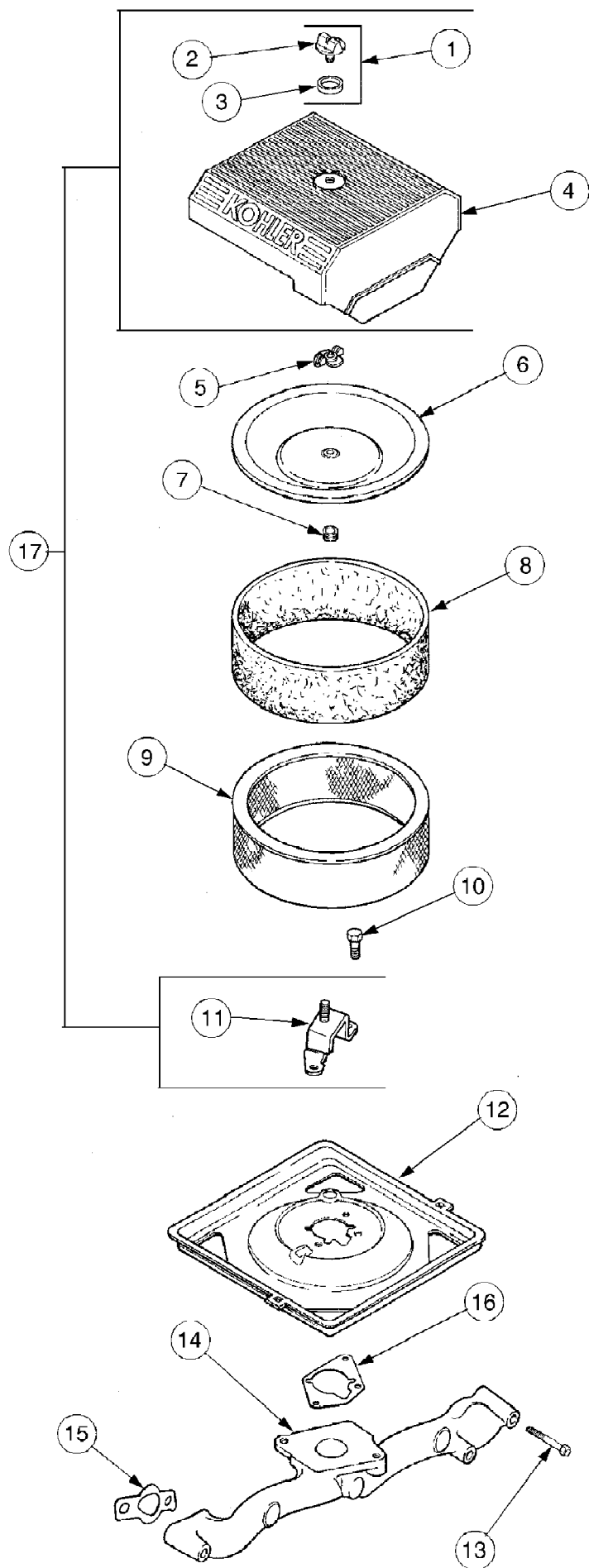
Page 4 of 75

Ref #	Part Number	Qty	S/P/F	Description
1	603-0172	1	S	Pivot Arm, Double Pulley (Mfg Date H140 and Before)
	603-0857	1	/P	Pivot Arm, Double Pulley (Mfg Date H150 and After)
2	603-0181A-0716	1	S	Plate Assembly, Mounting
3	703-2463-0637	1	/P	Arm, Idler
4	710-0520	1	/P	Screw, Hex Cap, 3/8-16 x 1.5 GR5
5	710-0923	1	/P	Screw, Hex Cap, 5/8-18 x 3.0 GR5
6	710-1010	1	/P	Screw, Hex Cap, 1/2-20 x 3.0 GR8
7	710-1260A	8	/P	Screw, Hex Wsh Hd Tap, 5/16-18 x .75
8	710-1336A	2	/P	Bolt, Spindle, 3/4-16 x 4.25
9	712-0239	1	S	Nut, Hex Center Lock, 1/2-20
10	712-0431	1	S	Nut, Hex Flange Lock, 3/8-16
11	712-3078	2	/P	Nut, Hex Flange, 3/4-16
12	716-3020	2	S	Snap Ring, Internal
13	721-3018	4	S	Seal, Oil, 1.25 x 1.874 x .25
14	732-0262	1	S	Spring, Extension, .88 x 6.12
15	732-3115	1	/P	Spring, Extension, 1.25 x 8.15
16	736-0100	1	/P	Washer, Flat, .531 x 1.25 x .036
17	736-0179	1	S	Washer, Flat, .531 x 1.25 x .100
18	736-0290	1	/P	Washer, Flat, (Mfg Date H140 and Before)
	736-0237	1	/P	Washer, Flat, (Mfg Date H150 and After)
19	737-3000	3	S	Fitting, 3/16 Drive Lube
20	741-0338	2	/P	Bearing, Flange, 3/4 ID x .53 Lg
21	741-0524	2	S	Bearing, Ball, .62 ID x 1.57 OD (Mfg Date H140 and Before)
	741-1122	2		Bearing, .625 ID x 1.574 OD x 470 (Mfg Date H150 and After); Used in 756-3114
22	741-3028	4	S	Cone, Bearing
23	741-3029	4	/P	Cup, Bearing
24	712-3087	1	/P	Nut, Wing, 1/4-20
25	748-3065	4	S	Spacer, Deck Spindle
26	750-0656	1	/P	Spacer, Idlr Brkt .50 ID x .75 OD x 2.25
27	750-3132	1	S	Spacer, Pulley.635 ID x .88 OD x 1.25
28	750-3190	2	S	Spacer, Bearing, .780 x .963 x .777
29	712-3006	1	/P	Nut, Hex, 1/4-20 (Mfg Date I030 & Before)
30	754-3073	1	S	Belt, Spindle, A-Section x 61 Lg
31	754-3055A	1	S	Belt, PTO, B-Section x 112.4 Lg
32	756-0627B	1	S	Pulley, Flat Idler, 3.5 OD
33	756-3069	1	S	Pulley, Double (Mfg Date H140 and Before)
	756-3114	1	/P	Pulley, Double (Mfg Date H150 and After)
	737-3000	2	S	Fitting, 3/16 Drive Lube (Not Incl. w/756-3114)
34	756-3089	2		V-Pulley, 4.0 Dia
35	759-3830	2		Blade, 3 In One, 21.20 Lg
	759-3969	2		Blade, Low Lift
36	618-3129	2	S	Spindle Assy. (Includes Ref. Nos. 13, 22, 23, 28, 44 & 45)
	618-3129A	2	S	Spindle Assy. (Includes Ref. Nos. 13, 22, 23 & 28); Replaces P/N 918-3129 when inventory is depleted

2176 Tractor
42" Spindle Assembly

Page 5 of 75

Ref #	Part Number	Qty	S/P/F	Description
37	731-2363	1	/P	Plug, Mulch (Mfg Date I040 and After)
38	710-0134	1	/P	Screw, Carriage, 1/4-20 x .62
39	736-0173	1	/P	Washer, Flat, .28 x .74 x .063 (Mfg Date I030 and Before)
40	736-0237	1	/P	Washer, Flat, .65 x 1.25 x .075 Hdn (Mfg Date H150 and After)
41	736-0270	1	/P	Washer, Belleville, .265 x .75 x .062 (Mfg Date I040 and After)
42	731-1643A	1	S	Plug, Mulch (Mfg Date I030 and Before)
43	710-0597	1	/P	Screw, Hex Cap, 1/4-20 x 1.0 GR5 (Mfg Date I030 and Before)
44	741-3031	2	S	Spacer, Bearing Used with P/N 918-3129 Spindle Ass'y. only
45	750-3191	2		Spacer, Bearing, 1.5 x 1.7525 x .8275 Used with P/N 918-3129 Spindle Ass'y. only



2176 Tractor
Air Intake And Filtration

Ref #	Part Number	Qty	S/P/F	Description
1	KH-54-755-01	1	S	Kit, Knob w/Seal (Incl. Ref #2, 3)
2	KH-25-341-03	1	/P	Knob, Cover
3	KH-24-153-15	1		Seal, Air Cleaner Cover Knob
4	KH-24-096-31	1	S	Cover, Air Cleaner
5	KH-12-100-01	1	/P	Wing Nut
6	KH-24-096-01	1	/P	Cover, Inner Air Cleaner
7	KH-24-032-03	1	/P	Seal, Inner Air Cleaner
8	KH-24-083-02	1	S	Precleaner, Element
9	KH-47-083-03	1	S	Element, Air Cleaner
10	KH-M-0639016	3	S	Screw, Hex Flange, M6 x 1.0 x 16
11	KH-24-126-21	1		Bracket, Air Cleaner Base
12	KH-24-094-03	1	S	Base, Air Cleaner
13	KH-M-0651055	4		Screw, Hex Flange, M6 x 1.0 x 55
14	KH-24-164-14	1	/P	Manifold, Intake
15	KH-24-041-01	2	/P	Gasket, Intake Manifold
16	KH-24-041-06	1	/P	Gasket, Air Cleaner Base
17	KH-24-743-08	1		Kit, Air Cleaner Cover (Incl 1-4, 11)