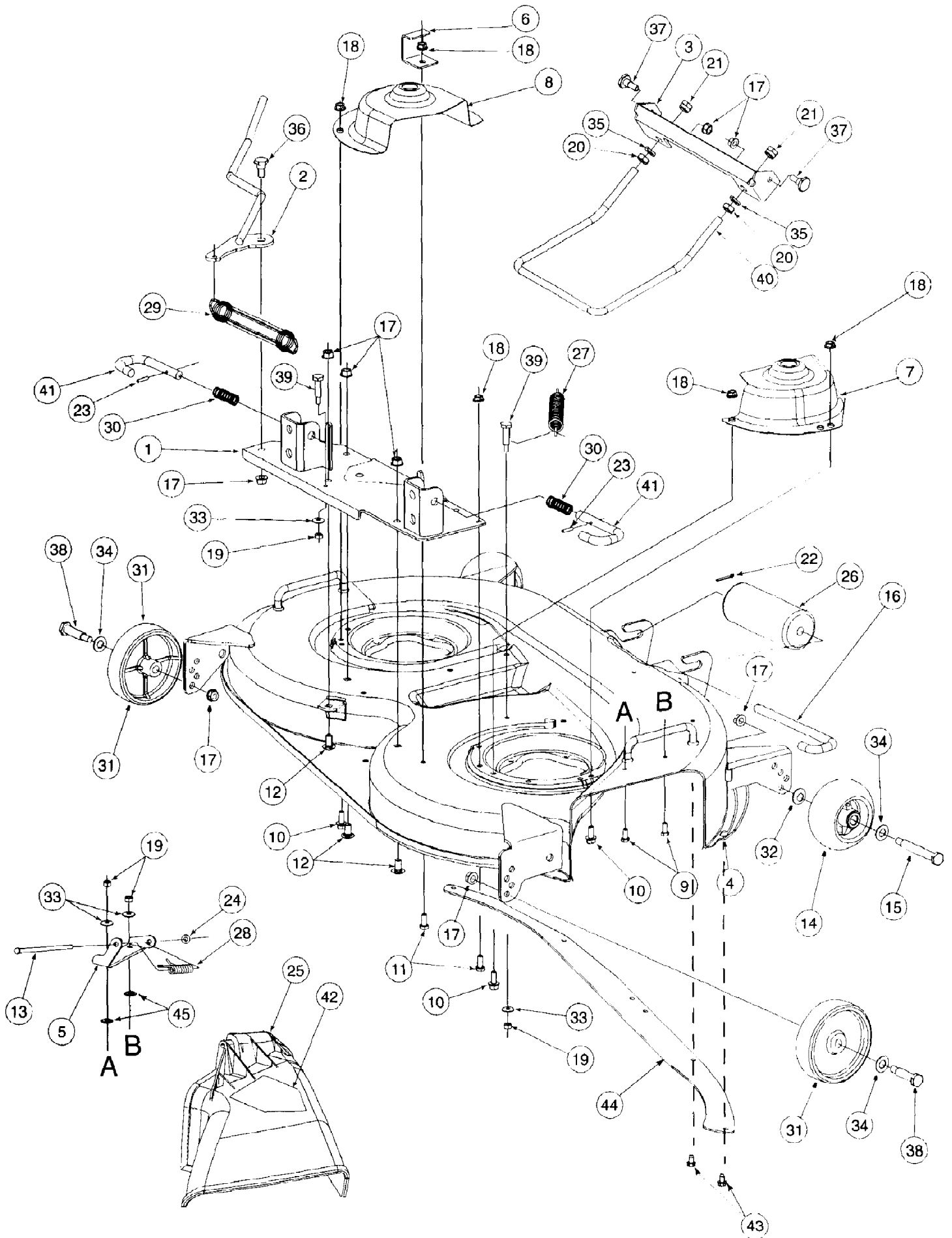


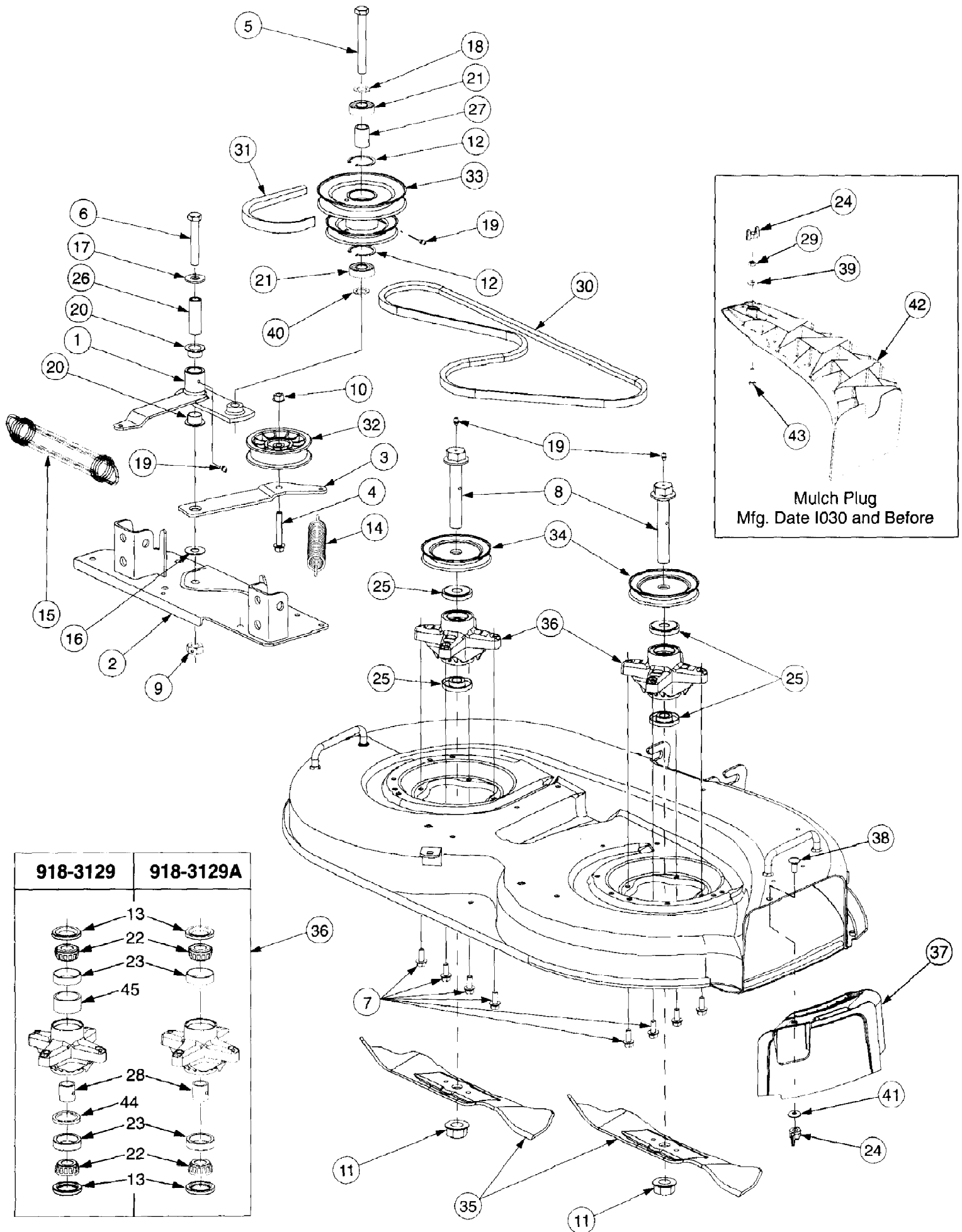
2166 Tractor  
42" Deck Assembly



2166 Tractor  
42" Deck Assembly

Page 2 of 93

Ref #	Part Number	Qty	S/P/F	Description
1	603-0181A-0716	1	S	Plate Assembly, Mounting
2	603-0199	1		Handle, Tension
3	603-0200-0716	1	S	Bracket, Front Lift
4	603-0409A-0716	1	S	Deck Assembly
	777S30503	1	/P	Graphic, Danger Keep Hands Away
	777S30014	1	/P	Graphic, Caution Under Spring Tension
	777S30018	1	/P	Graphic, Danger Avoid Serious Injury
5	703-1693A	1	/P	Bracket, Hinge Mounting
6	703-2559-0716	1	/P	Bracket, Handle Stop
7	703-3237-0716	1	/P	Shield, RH Pulley
8	703-2945	1		Shield, LH Pulley
9	710-0751	2	/P	Screw, Hex Cap, 1/4-20 x .62 GR5
10	710-1260A	3	/P	Screw, Hx Wsh Hd Tapp, 5/16-18 x .75
11	710-3008	2	/P	Screw, Hex Cap, 5/16-18 x .75 GR5
12	710-3178	3	/P	Bolt, Carriage, 3/8-16 x .75
13	711-0792	1	S	Pin, Hinge, .25 Dia x 6.75 Lg
14	703-1890	2	S	Wheel, Deck w/Fitting
	737-0280	2	S	Lube, Fitting
15	738-3056	2	S	Bolt, Shoulder, 1/2 x 2.5
16	711-3314	1	S	Pin, Roller, 1/2 Dia x 7.31 Lg
17	712-0431	10	S	Nut, Hex Flange Lock, 3/8-16
18	712-3004A	5	/P	Nut, Hex Flange Lock, 5/16-18 GR5
19	712-3006	4	/P	Nut, Hex, 1/4-20
20	712-3048	2	S	Nut, Hex Jam, 1/2-13 GR5
21	712-3083	2	/P	Nut, Hex Insert Lock, 1/2-13
22	714-3004	1		Pin, Cotter, 3/32 x 1.25
23	715-3003	2	/P	Pin, Spiral Spring, 3/16 x .75
24	726-0106	1	S	Cap, Speed Nut
25	731-1032B	1	S	Deflector Assy (Incl. Ref #5, 13, 24 & 28, 45)
26	731-3005	1	/P	Roller
27	732-0262	1	S	Spring, Extension, .88 OD x 6.12
28	732-0602A	1	/P	Spring, Torsion
29	732-3115	1	/P	Spring, Extension, 1.25 OD x 8.15
30	732-3127	2	S	Spring, Compression
31	734-0973	2	/P	Wheel, Deck, 5 in. Dia
32	736-0105	2	/P	Washer, Bell, .401 x .870 x .063
33	736-0270	4	/P	Washer, Bell, .265 x .75 x .062
34	736-0272	4	S	Washer, Flat, .510 x 1.0 x .060
35	736-0921	2	S	Washer, Lock, 1/2
36	738-0143	1	/P	Bolt, Shoulder, .498 Dia x .340 Lg
37	738-0507B	2	S	Bolt, Shoulder, .50 Dia x .434 Lg
38	738-0533	2	S	Bolt, Shoulder, .498 Dia x 1.64 Lg
39	738-0572	2	S	Bolt, Shoulder, .375 Dia x 1.16 Lg
40	747-3172B	1	S	Rod, Front Lift
41	747-3188	2		Pin, Mower Support
42	777S30145	1	S	Graphic, Danger
43	710-0599	5	/P	Screw, Self Tapping, 1/4-20 x .5 (Mfg Date I040 and After)
44	783-1146A	1	S	Skirt, Deck (Mfg Date I040 and After)
45	726-0233	2	/P	Nut, Push, 1/4



2166 Tractor  
42" Spindle Assembly

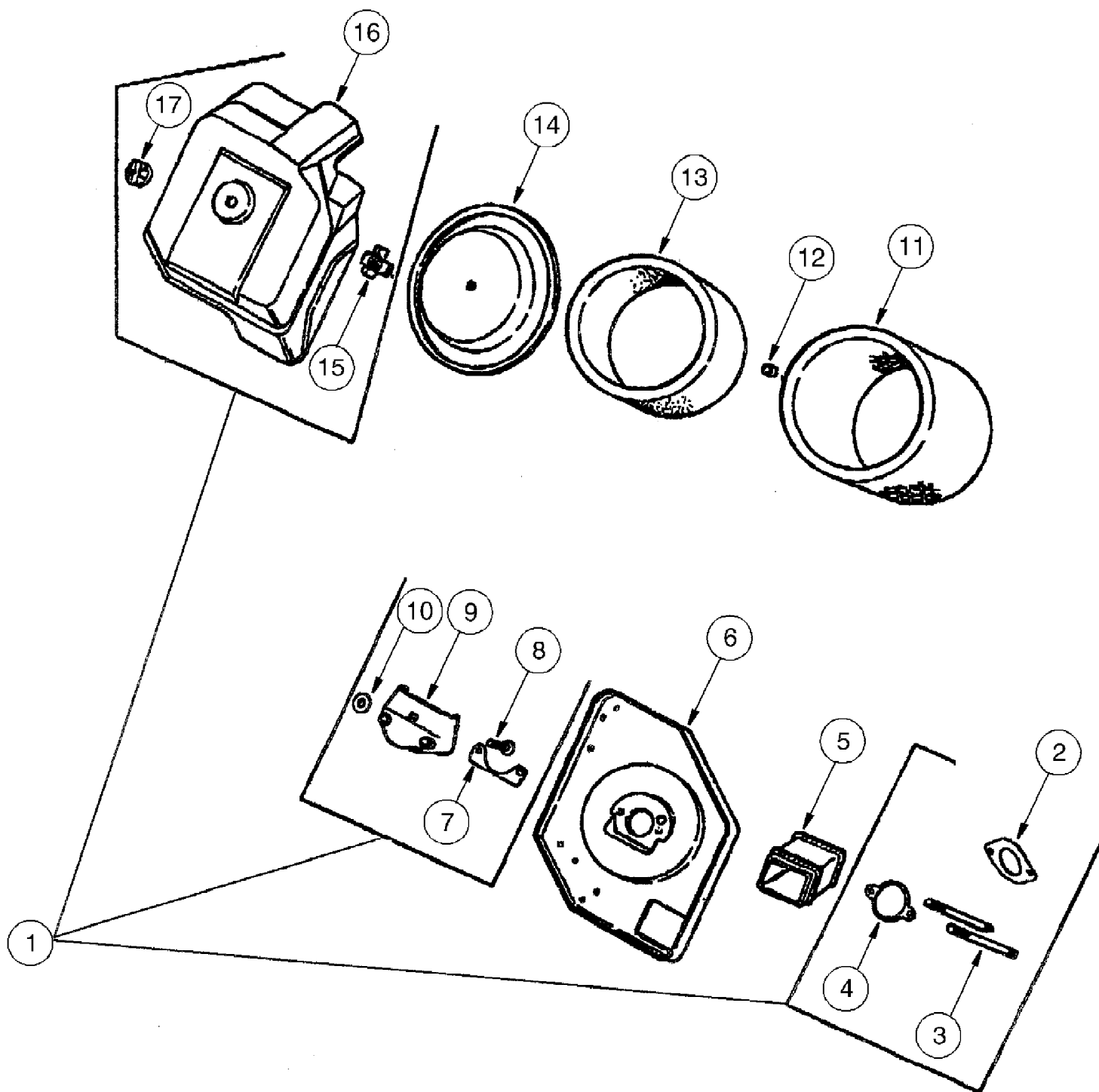
Page 4 of 93

Ref #	Part Number	Qty	S/P/F	Description
1	603-0172	1	S	Pivot Arm, Double Pulley (Mfg Date H140 and Before)
	603-0857	1	/P	Pivot Arm, Double Pulley (Mfg Date H150 and After)
2	603-0181A-0716	1	S	Plate Assembly, Mounting
3	703-2463-0637	1	/P	Arm, Idler
4	710-0520	1	/P	Screw, Hex Cap, 3/8-16 x 1.5 GR5
5	710-0923	1	/P	Screw, Hex Cap, 5/8-18 x 3.0 GR5
6	710-1010	1	/P	Screw, Hex Cap, 1/2-20 x 3.0 GR8
7	710-1260A	8	/P	Screw, Hex Wsh Hd Tap, 5/16-18 x .75
8	710-1336A	2	/P	Bolt, Spindle, 3/4-16 x 4.25
9	712-0239	1	S	Nut, Hex Center Lock, 1/2-20
10	712-0431	1	S	Nut, Hex Flange Lock, 3/8-16
11	712-3078	2	/P	Nut, Hex Flange, 3/4-16
12	716-3020	2	S	Snap Ring, Internal
13	721-3018	4	S	Seal, Oil, 1.25 x 1.874 x .25
14	732-0262	1	S	Spring, Extension, .88 x 6.12
15	732-3115	1	/P	Spring, Extension, 1.25 x 8.15
16	736-0100	1	/P	Washer, Flat, .531 x 1.25 x .036
17	736-0179	1	S	Washer, Flat, .531 x 1.25 x .100
18	736-0290	1	/P	Washer, Flat (Mfg Date H140 and Before)
	736-0237	1	/P	Washer, Flat (Mfg Date H150 and After)
19	737-3000	3	S	Fitting, 3/16 Drive Lube
20	741-0338	2	/P	Bearing, Flange, 3/4 ID x .53 Lg
21	741-0524	2	S	Bearing, Ball, .62 ID x 1.57 OD (Mfg Date H140 and Before)
	741-1122	2		Bearing, .625 ID x 1.574 OD x 470 (Mfg Date H150 and After); Used in 756-3114
22	741-3028	4	S	Cone, Bearing
23	741-3029	4	/P	Cup, Bearing
24	712-3087	1	/P	Nut, Wing, 1/4-20
25	748-3065	4	S	Spacer, Deck Spindle
26	750-0656	1	/P	Spacer, Idlr Brkt .50 ID x .75 OD x 2.25
27	750-3132	1	S	Spacer, Pulley.635 ID x .88 OD x 1.25
28	750-3190	2	S	Spacer, Bearing, .780 x .963 x .777
29	712-3006	1	/P	Nut, Hex, 1/4-20 (Mfg Date I030 & Before)
30	754-3073	1	S	Belt, Spindle, A-Section x 61 Lg
31	754-3055A	1	S	Belt, PTO, B-Section x 112.4 Lg
32	756-0627B	1	S	Pulley, Flat Idler, 3.5 OD
33	756-3069	1	S	Pulley, Double (Mfg Date H140 and Before)
	756-3114	1	/P	Pulley, Double (Mfg Date H150 and After)
	737-3000	2	S	Fitting, 3/16 Drive Lube (Not Incl, w/756-3114)
34	756-3089	2		V-Pulley, 4.0 Dia
35	759-3830	2		Blade, 3 In One, 21.20 Lg
	759-3969	2		Blade, Low Lift
36	618-3129	2	S	Spindle, Assy. (Includes Ref. Nos. 13, 22, 23, 28, 44 & 45)
	618-3129A	2	S	Spindle, Assy. (Includes Ref. Nos. 13, 22, 23 & 28) - Replaces 918-3129 when inventory is depleted

2166 Tractor  
42" Spindle Assembly

Page 5 of 93

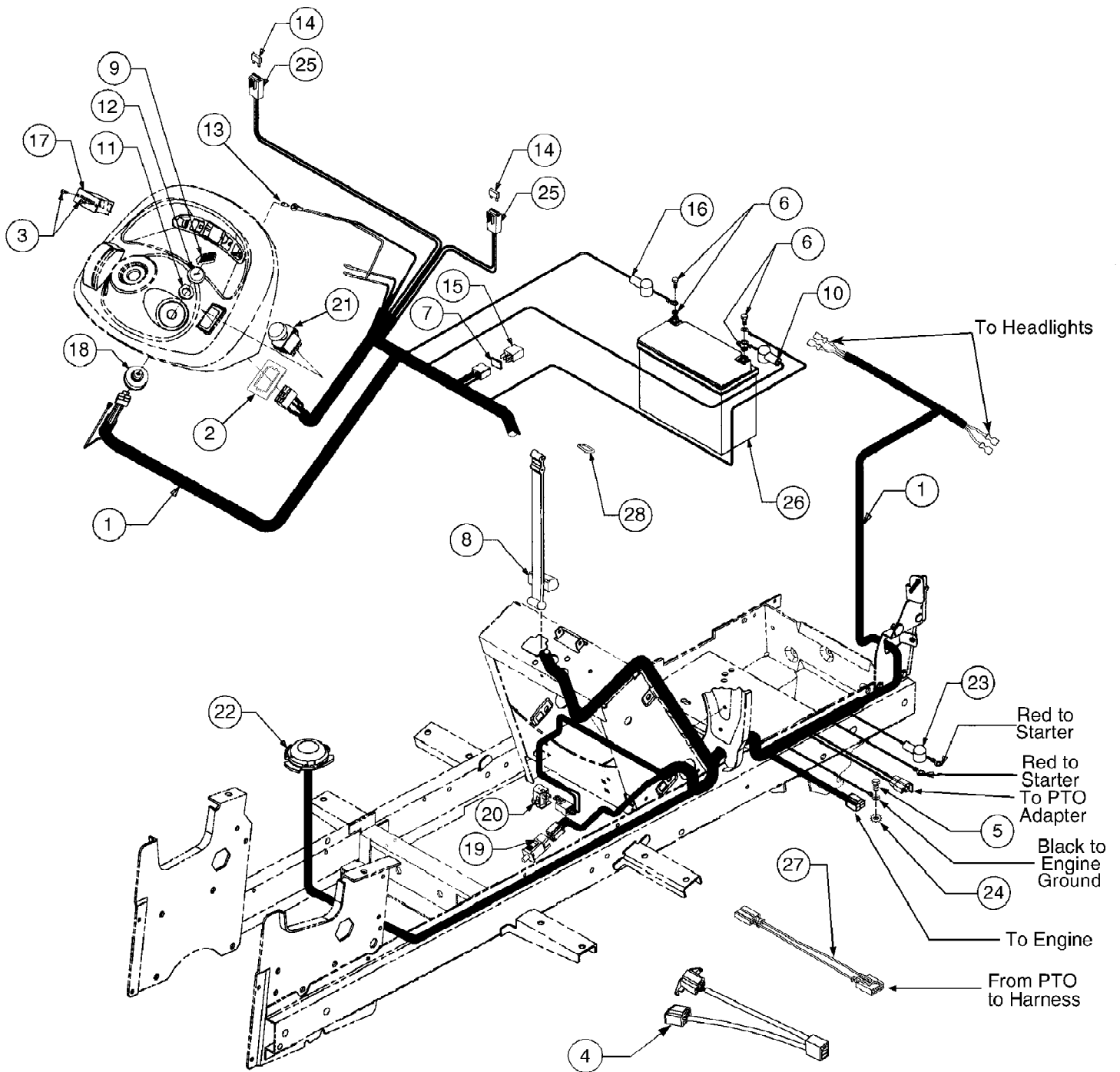
Ref #	Part Number	Qty	S/P/F	Description
37	731-2363	1	/P	Plug, Mulch (Mfg Date I040 and After)
38	710-0134	1	/P	Screw, Carriage, 1/4-20 x .62
39	736-0173	1	/P	Washer, Flat, .28 x .74 x .063 (Mfg Date I030 and Before)
40	736-0237	1	/P	Washer, Flat, .65 x 1.25 x .075 Hdn (Mfg Date H150 and After)
41	736-0270	1	/P	Washer, Belleville, .265 x .75 x .062 (Mfg Date I040 and After)
42	731-1643A	1	S	Plug, Mulch (Mfg Date I030 and Before)
43	710-0597	1	/P	Screw, Hex Cap, 1/4-20 x 1.0 GR5 (Mfg Date I030 and Before)
44	741-3031	2	S	Spacer, Bearing Used with 918-3129 Spindle Ass'y. only
45	750-3191	2		Spacer, Bearing 1.5 x 1.7525 x .8275 Used with 918-3129 Spindle Ass'y. only



2166 Tractor  
Air Intake And Filter

Page 7 of 93

Ref #	Part Number	Qty	S/P/F	Description
1	KH-12-755-84	1	S	Kit, Fuel Recovery (Incl. Ref #2-4, 7-10, 13, 15-18)
2	KH-12-041-01	1	/P	Gasket, Carburetor
3	KH-M-0629116	2		Stud, M6 x 1.0 x 116
4	KH-12-041-02	1	/P	Gasket, Air Cleaner
5	KH-12-123-07	1	/P	Tube, Air Cleaner
6	KH-12-094-06	1		Base, Air Cleaner
7	KH-12-041-09	1	/P	Gasket, Collector Plate
8	KH-12-211-02	1		Bolt, Carriage, M6 x 1.0 x 22
9	KH-12-109-08	1		Cup, Fuel Spit Back
10	KH-12-018-04	1	S	Retainer, Ring
11	759-3547	1	S	Element, Air Cleaner
12	KH-24-032-03	1	/P	Seal, Inner Air Cleaner
13	KH-52-083-01	1	S	Pre-Cleaner, Element
14	KH-12-096-37	1		Cover, Air Cleaner Element
15	KH-12-100-01	1	/P	Wingnut, Element Cover
16	KH-12-096-41	1	S	Cover, Air Cleaner Base
17	KH-25-341-03	1	/P	Knob, Air Cleaner Cover





2166 Tractor

Page 9 of 93

## Battery, Electrical Components And Switches

Ref #	Part Number	Qty	S/P/F	Description
1	629-3068A	1	S	Wire Harness, Main Includes Ref. Nos. 7, 13, 14 (2) and 15
	725-0157	4	/P	Tie, Self-Clinch Cable
	726-0154	5	S	Tie, Pushmount
	726-3055	9		Clip, Cable
2	783-0462	1	/P	Bracket, PTO Switch Retainer
3	710-0936	2		Screw, Truss Hd Tapp, #6 x .62
4	629-3072A	1		Wire Harness, S.A.M.
5	710-0237	1	/P	Screw, Hex Cap, 5/16-24 x .625 GR5
6		1		Battery Cable Hardware
	710-3015	2	/P	Screw
	712-0271	2	/P	Sems Nut
7	721-0342	1	S	Gasket, Silicone
8	723-0445A	1	/P	Strap, Battery Retainer
9	759-3476A	1	S	Key, Ignition (Set of 2)
10	725-0340	1		Cover, Terminal Black
11	725-1346	1	S	Nut, Ignition Switch
12	725-1347	1	/P	Cap, Ignition Switch
13	725-1365	1	S	Bulb, Indicator
14	725-3243	2		Fuse, 25 Amp
15	725-1648	1	S	Relay
16	725-3007A	1	/P	Cover, Terminal Red
17	725-3159	1	S	Hour Meter
18	925-3284	1	S	Switch, Ignition
19	725-3164A	1	S	Switch, Interlock (Brake)
20	725-3166	1	S	Switch, Snap Mount - Normally Closed
21	725-3233	1	S	Switch, PTO
22	725-3234	1	S	Switch, Seat
23	725-3237	1		Cover, Terminal Red
24	736-0607	1	/P	Washer, External Lock, 5/16
25	729-0357	2		Holder, Fuse w/Mounting Clip
26	725-1707C	1	S	Battery
27	725-3242	1	S	Adapter, PTO Harness
28	732-0696	1		Hook, Wire Rectangular