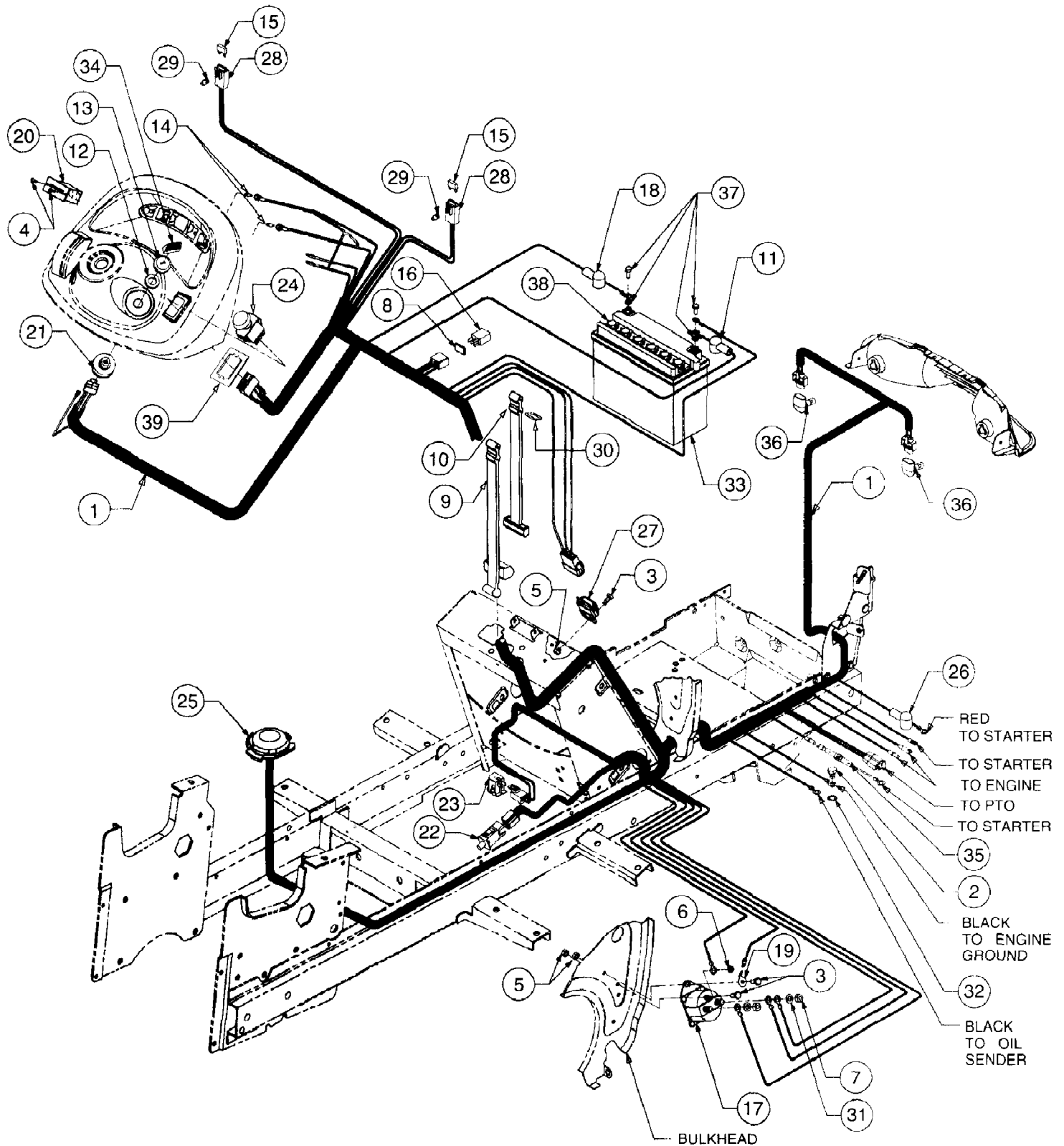


2165 Tractor S/N 326,006 & Up
Air Cleaner

Page 2 of 75

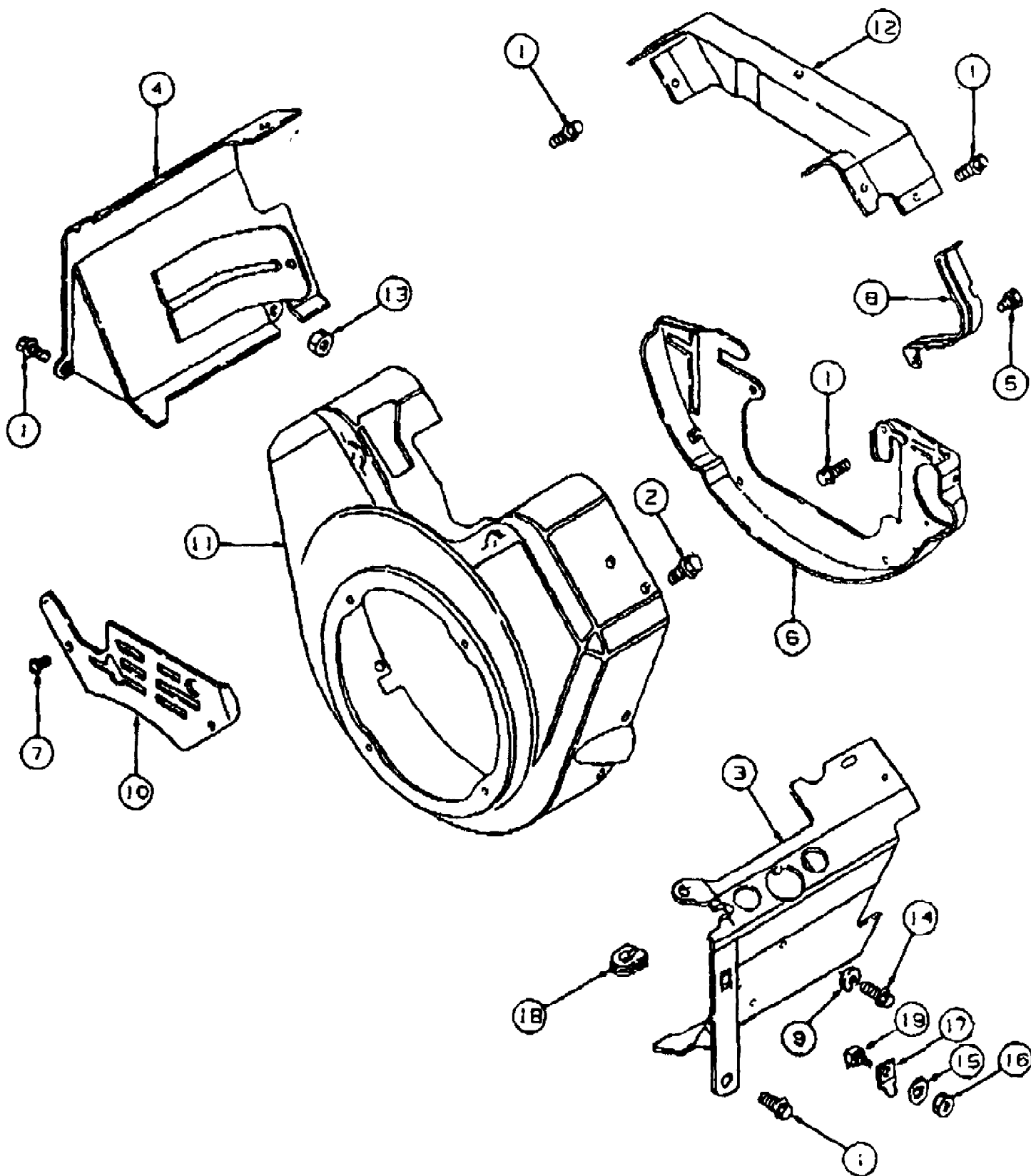
Ref #	Part Number	Qty	S/P/F	Description
1	BS-805406	2	S	Screw, Sems
2	BS-805655	1	S	Gasket, Air Cleaner
3	BS-807796	1	S	Bracket, Air Cleaner
4	BS-807857	1	S	Base, Air Cleaner
5	BS-394018	1	S	Cartridge, Air Cleaner
6	BS-807862	1	S	Cover, Air Cleaner
7	BS-491875	1	S	Knob, Air Cleaner
8	BS-805406	1	S	Screw, Sems
9	BS-805057	2	S	Screw, Sems
10	BS-272490	1	S	Element, Foam
11	BS-807797	1	S	Shield Assembly
12	BS-805631	1	S	Plate, Air Cleaner
13	BS-805632	1	S	Tube, Air Inlet
14	777D02391	1		Label, V-Twin Engine



Ref #	Part Number	Qty	S/P/F	Description
1	629-3021	1	S	Wire Harness, Main S/N F309G and prior
	629-3067	1	S	Wire Harness, Main S/N G019G and after
	725-0157	4	/P	Tie, Self-Clinch Cable
	726-0154	5	S	Tie, Pushmount
	726-3055	9		Clip, Cable
2	710-0168	1	/P	Screw, Hex Cap, 3/8-16 x .50
3	710-0751	3	/P	Screw, Hex Cap, 1/4-20 x .625 GR5
4	710-0936	2		Screw, Truss Hd Tapp, #6 x .62
5	712-0271	3	/P	Nut, Hex Sems, 1/4-20
6	712-0349	1	/P	Nut, Hex, #10-32
7	712-3010	2	S	Nut, Hex, 5/16-18 GR5
8	721-0342	1	S	Gasket, Silicone
9	723-0445	1	S	Strap, Battery Retainer [S/N 359001 and Above - used with 725-1707B battery (Incl. Ref. 30)]
10	723-3064	1		Strap, Battery Retainer [S/N 359000 and Below - used with 753-0608 battery (Incl. Ref. 30)]
11	725-0340	1		Cover, Terminal Black
12	725-1346	1	S	Nut, Ignition Switch
13	725-1347	1	/P	Cap, Ignition Switch
14	725-1365	2	S	Bulb, Indicator
15	725-1381	2	S	Fuse, 20 Amp
16	725-1648	1	S	Relay
17	725-3001	1	S	Solenoid, Starter
18	725-3007A	1	/P	Cover, Terminal Red
19	725-3147	1		Lug, Quick Connect
20	725-3159	1	S	Hour Meter
21	725-3163	1	S	Switch, Ignition
22	725-3164A	1	S	Switch, Interlock (Brake)
23	725-3166	1	S	Switch, Snap Mount - Normally Closed
24	725-3233	1	S	Switch, PTO
25	725-3234	1	S	Switch, Seat
26	725-3237	3		Cover, Terminal Red
27	725-3251	1	S	Module, Voltage Sensor
28	729-0207	2		Holder, Fuse (S/N 359000 and Below)
	729-0357	2		Holder, Fuse w/Mounting Clip (S/N 359001 and Above)
29	729-0209	2		Clip, Fuse Holder Mounting (S/N 359000 and Below)
30	732-0696	1		Hook, Wire Rectangular
31	736-0607	2	/P	Washer, Lock, 5/16
32	736-0148	1	/P	Washer, External Lock, 3/8
33	753-0608	1	/P	Battery (S/N 359,000 and below)
	725-1707B	1	S	Battery (S/N 359,001 thru 389,000) (S/N IO16G thru KO37G)
	725-1707C	1	S	Battery (S/N K037G thru IO18G)
	725-1706	1	S	Battery (S/N IO18G to present)
34	759-3476A	1	S	Key, Ignition (Set of 2)
35	759-3689	1	S	Diode Assembly w/Lead
36	759-3693	2	S	Bulb, Head Lamp

2165 Tractor S/N 326,006 & Up
Battery, Electrical Components And Switches

Ref #	Part Number	Qty	S/P/F	Description
37	759-3749	1	/P	Battery Cable Hardware (Set of 2) (S/N 359000 and Below)
	710-3015	2	/P	Screw (S/N 359001 & Above)
	712-0271	2	/P	Sems Nut (S/N 359001 & Above)
38	759-3750	6		Cap, Battery (Used w/753-0608 Battery)
	725-0691	6		Cap, Batt. (Used w/725-1707B Battery)
39	783-0462	1	/P	Bracket, PTO Switch Retainer



2165 Tractor S/N 326,006 & Up
Blower Housings

Page 7 of 75

Ref #	Part Number	Qty	S/P/F	Description
1	BS-805406	21	S	Screw, Sems
2	BS-805025	1	S	Screw, Sems
3	BS-808099	1		Cover (Cylinder #1)
4	BS-808100	1		Cover (Cylinder #2)
5	BS-805260	2	S	Screw, Sems
6	BS-807663	1	S	Plate, Back
7	BS-805009	2	S	Screw, Sems
8	BS-805505	1		Shield
9	BS-805449	2		Washer, Lock
10	BS-805841	1	S	Cover, Carburator
11	BS-807898	1	S	Housing, Blower
12	BS-807898	1	S	Cover, Valley Extension
13	BS-805383	1	S	Nut, Hex
14	BS-805448	2	S	Screw, Mtg
15	BS-92791	1	S	Washer, Lock, Internal Tooth
16	712-0142	1	/P	Nut, Hex
17	BS-93722	1	S	Terminal, Ground
18	BS-805641	2	S	Grommet, Cable
19	BS-398525	1	S	Insulator Assy,