

2160 Tractor S/N 326,006 - 389,000
6-Speed Transmission

Page 2 of 72

Ref #	Part Number	Qty	S/P/F	Description
1	611-3008	1		Axle Assy, LH, 11.9" Lg
2	716-3015	2		Ring, Inverted Retainer
3	721-3020A	2	S	Seal, Oil
4	741-3033A	2	S	Bearing
5	716-3018	2		Ring, External Retaining
6	619-3025	1		Housing, LH Axle
	759-3746	1		Sealant, Ultra Grey, 2 oz Tube
7	710-1008	16		Screw, Hex L-Wash Tapp, 3/8-16 x 1.88
8	727-3085	1	S	Dipstick, Oil
9	715-3045	4	S	Bushing, Dowel
10	619-3037B	1	S	Housing, LH Differential Replaces 619-3037 by also ordering: (2) 715-3045 dowel bushing; 710-1346 plug & 736-0600 washer.
	736-0600	1		Washer
	759-3746	1		Sealant, Ultra Grey, 2 oz Tube
11	710-0606	2	/P	Screw, Hex Cap, 1/4-20 x 1.5
12	736-0463	5	S	Washer, Flat, .25 x .62 x .052
13	710-0788	15	/P	Screw, Hex Wash Hd Tapp, 1/4-20 x 1.0
14	737-0177	1	/P	Plug, 1/2-14 NPTF Used with 619-3037 LH differential housing
	710-1346	1	/P	Screw, Plug, M14 x 1.5 x .827 Used with 736-0600 Flat Washer for 619-3037B differential housing
15	715-3038	2		Pin, Slotted Spring, 7/16-1.0 Used with 619-3037 and 619-3038 LH and RH differential housings
	715-3045	2	S	Bushing, Dowel Used with 619-3037B and 619-3038A LH and RH differential housings
16	741-0361	3	S	Bearing, Ball
17	736-3101	1		Washer, Flat, .68 x 1.25 x .060
18	717-3353	1		Gear, 27T Drive, Sixth
19	717-3354	1		Gear, 23T Drive, Fifth
20	717-3344	1	S	Gear, 20T Drive, Fourth
21	717-3351	1		Gear, 17T Drive, Third
22	717-3352	1		Gear, 15T Drive, Second
23	717-3349	1		Shaft, Drive w/First
24	736-3123	1	S	Washer, Flat, .765 x 1.125 x .030
25	736-3122	1		Washer, Wave, .79 x 1.125 x .012
26	717-3347	1		Gear, 36T Bevel
27	717-3350	1		Gear, 14T Reduction
28	717-3357	1	S	Gear, 18T Shift, Sixth
29	717-3358	1		Gear, 22T Shift, Fifth
30	717-3359	1		Gear, 24T Shift, Fourth
31	717-3360	1		Gear, 27T Shift, Third
32	717-3361	1		Gear, 40T Shift, Second
33	717-3362	1		Gear, 58T Shift, First
34	750-0991	1	/P	Spacer, Neutral
35	717-1180	1		Block, Differential Pinion
36	718-3029	1		Collar, Shift - LH
37	718-3030	2		Spacer, Shift Key
38	712-3009	1	S	Nut, Hex Shift Lock, 5/16-18 GR5

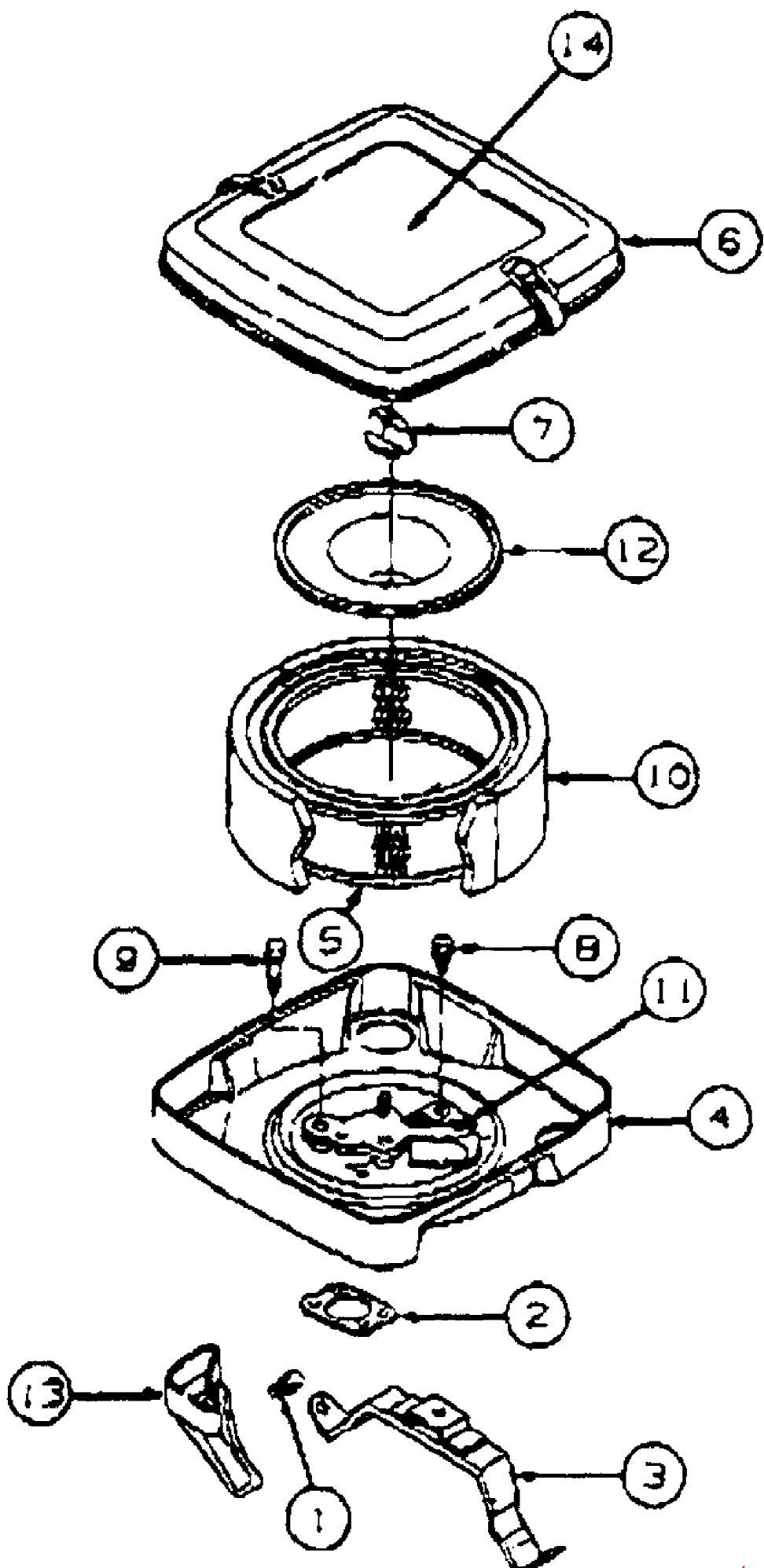
2160 Tractor S/N 326,006 - 389,000
6-Speed Transmission

Page 3 of 72

Ref #	Part Number	Qty	S/P/F	Description
39	736-0371	1	/P	Washer, Flat, .343 x .875 x .062
40	718-3021	1		Arm, Key Shifter
41	750-3104	1		Spacer, .316 ID x .44 OD x .263 Lg
42	710-0376	1	/P	Screw, Hex Cap, 5/16-18 x 1.0
43	710-0573	1		Screw, Hex Cap, 5/16-18 x 1.25 GR5
44	718-3028	1		Collar, Shift - RH
45	710-3245	3		Screw, Socket Hd Cap, #10-32 x 1.25
46	732-3074	1		Spring, Shift Key
47	714-3028	3		Key, Shift
48	715-3044	3		Pin, Dowel, 3/16 x 7/8 Lg
49	711-1039A	1		Shaft, Shift
50	736-3119	1		Washer, Wave, .84 x 1.12 x .016
51	741-3057	3	S	Bearing, Ball, .787 x 1.85 x .551
52	717-3345	1		Gear, 44T Reduction
53	717-3346	1		Shaft, 9T Output
54	741-3037	2	S	Bearing, Ball
55	710-0151	4	/P	Screw, Hex Cap, 3/8-24 x 2.0
56	619-3013	2		Cover, Differential
57	736-0423	AR		Washer, Flat, 1.0 x 1.56 x .010 Thk
58	736-0431	AR	S	Washer, Flat, 1.0 x 1.56 x .015 Thk
59	736-0424	AR	S	Washer, Flat, 1.0 x 1.56 x .020 Thk
60	736-0420	AR	S	Washer, Flat, 1.0 x 1.56 x .040 Thk
61	717-1159	1		Gear, 60T Bull
62	717-1119	2		Gear, 14T Differential Side
63	717-1190	4		Block, Differential Thrust
64	717-1120	4		Gear, 10T Differential Pinion
65	717-1178	2		Shaft, Cross
66	717-1173	1		Shaft, Cross, .50 OD x 3.485 Lg
67	712-3054	4	/P	Nut, Hex Lock, 3/8-24
68	710-0642	1	/P	Screw, Hex Wash Hd Tapp, 1/4-20 x .75
69	736-0270	1	/P	Washer, Bell, .265 x .75 x .062
70	703-2180	2		Support, Interlock Shaft
71	711-3341A	1		Shaft, Interlock Shift
72	718-3020	1		Interlock, Shift
73	710-3276	2		Screw, Socket Hd Cap, 1/4-20 x 1.0
74	721-3033	2		O-Ring, 1/2 ID x 5/8 OD
75	741-0862	1	/P	Ball, Detent, .250 Dia
76	732-0863	1	S	Spring, Detent
77	618-3031	1		Arm Assy, Shift
78	712-0291	2	S	Nut, Hex Center Lock, 1/4-20
79	721-3029	1	S	Seal, Shift Shaft
80	761-3019	1		Drum, Brake
81	732-3077	1		Spring, Brake
82	761-3020	2	S	Shoe, Brake
83	732-0152	1		Spring, Compression
84	703-2191	1		Arm, Brake
85	618-3060	1	S	Plate, Brake
86	761-3028	1		Actuator, Brake Shoe
87	710-3262	1		Screw, Low Hd Cap, 3/8-16 x .75
88	611-3009	1		Axle Assy, RH, 15.6 Lg
89	619-3024	1		Housing, Axle - RH
	759-3746	1		Sealant, Ultra Grey, 2 oz tube
90	715-0129	1	/P	Pin, Spirol, 1/8 Dia x .812 Lg

2160 Tractor S/N 326,006 - 389,000
6-Speed Transmission

Ref #	Part Number	Qty	S/P/F	Description
91	718-3036	1		Arm, Interlock Shift
92	710-0642	1	/P	Screw, Hex Wash Hd Tapp, 1/4-20 x .75
93	716-0171	1	S	Ring, Retainer
94	703-2190	2		Shim, Interlock Shaft Support, .030 Thk
95	703-2189	1		Shim, Interlock Shaft Support, .015 Thk
96	619-3038A	1		Housing, RH Differential Replaces 619-3038 by also ordering (2) 715-3045 Dowel Bushings.
	759-3746	1		Sealant, Ultra Grey, 2 oz Tube



2160 Tractor S/N 326,006 - 389,000
Air Cleaner

Ref #	Part Number	Qty	S/P/F	Description
1	BS-805406	2	S	Screw, Sems
2	BS-805655	1	S	Gasket, Air Cleaner
3	BS-807796	1	S	Bracket, Air Cleaner
4	BS-807857	1	S	Base, Air Cleaner
5	BS-394018	1	S	Cartridge, Air Cleaner
6	BS-807862	1	S	Cover, Air Cleaner
7	BS-491875	1	S	Knob, Air Cleaner
8	BS-805406	1	S	Screw, Sems
9	BS-805057	2	S	Screw, Sems
10	BS-272490	1	S	Element, Foam
11	BS-807797	1	S	Shield Assy
12	BS-805631	1	S	Plate, Air Cleaner
13	BS-805632	1	S	Tube, Air Inlet
14	779-3602	1		Label, V-Twin Engine

Battery, Electrical Components And Switches

