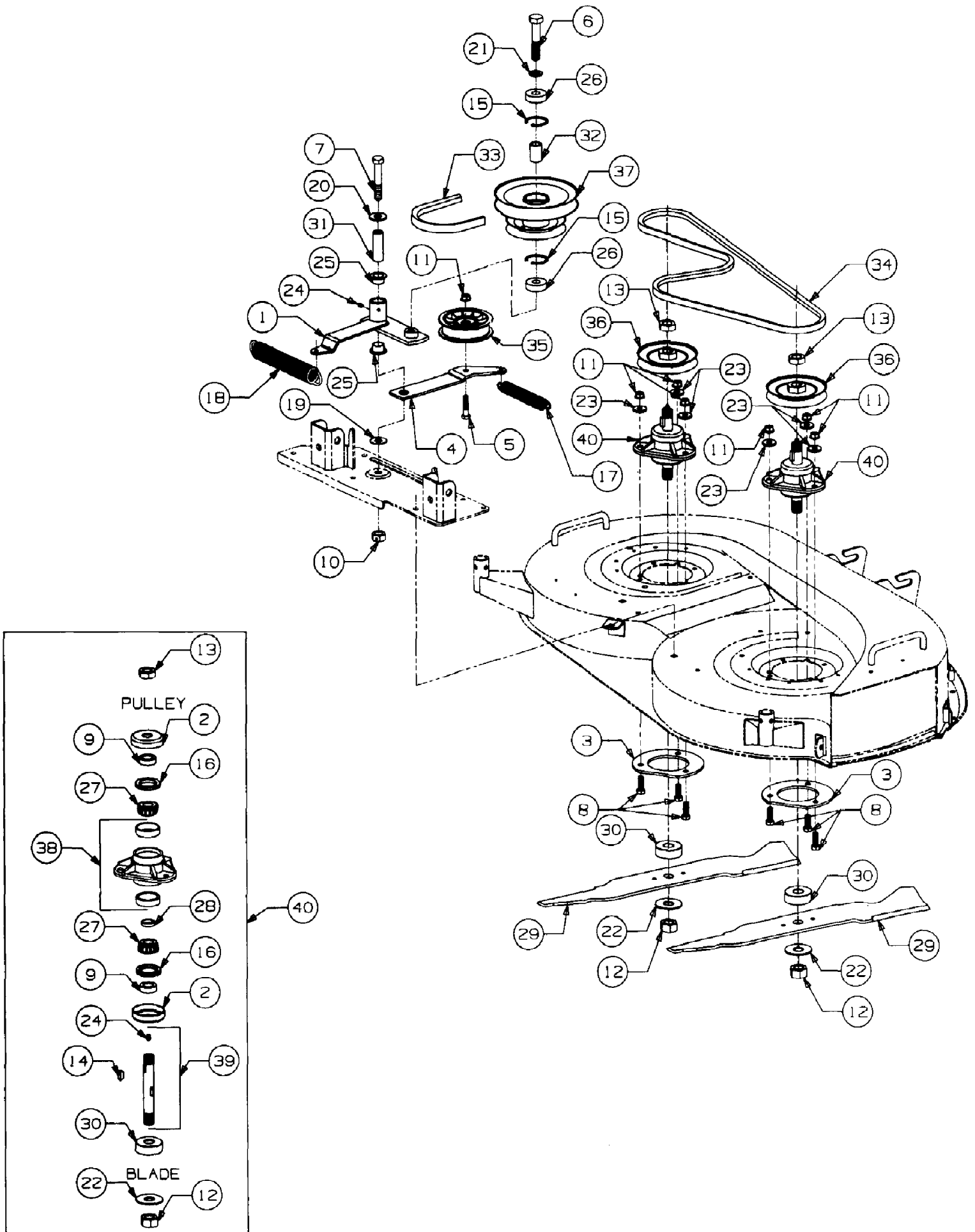


2145 Tractor S/N 239,001 - 326,005  
42" Deck Assembly

Page 2 of 79

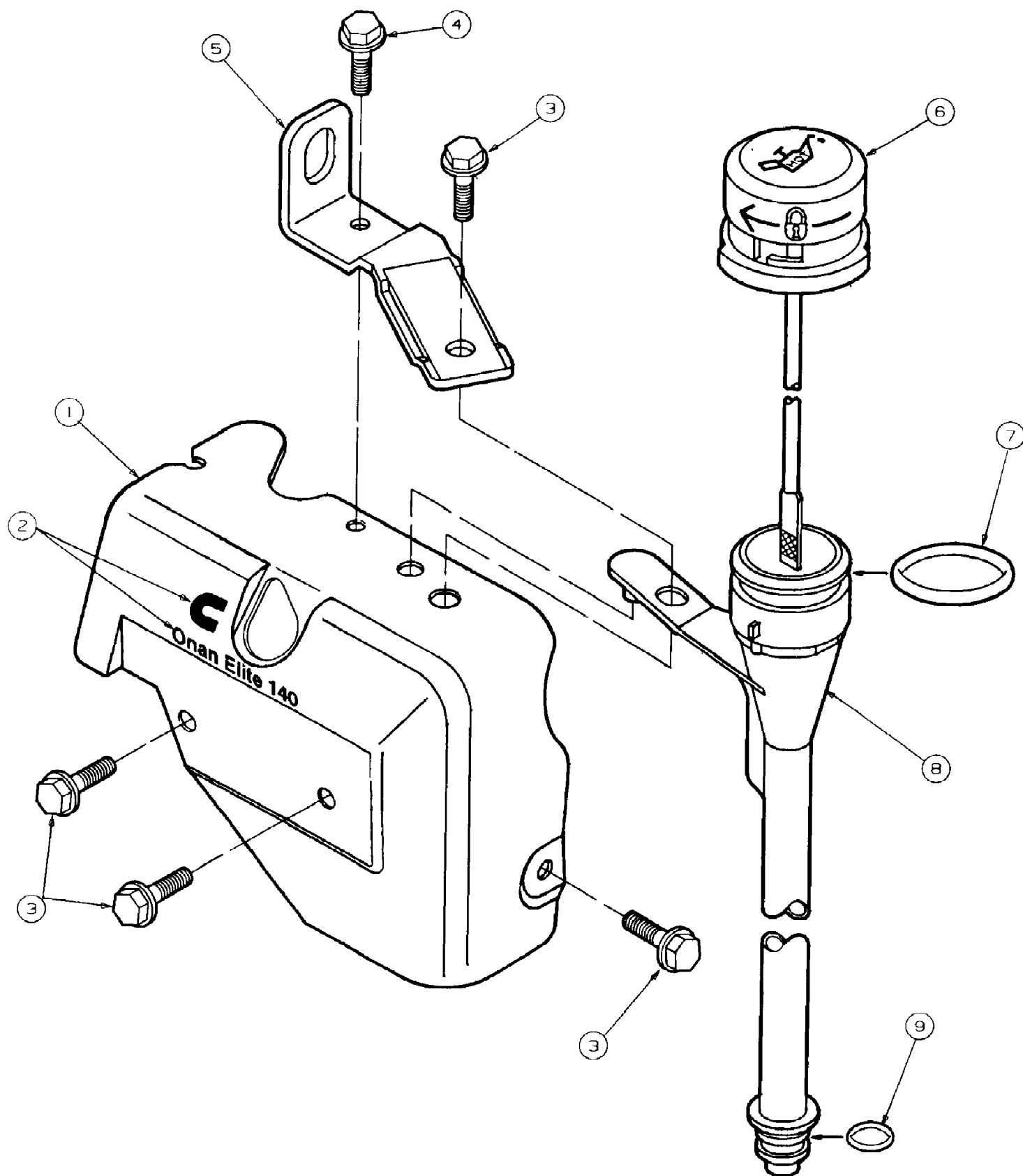
Ref #	Part Number	Qty	S/P/F	Description
1	17861A	1	S	Skirt, Extension
2	17961	1	S	Skirt, Short
3	603-0181	1	S	Plate Assy, Mounting
4	603-0199	1		Handle, Tension
5	603-0200	1	S	Bracket, Front Lift
6	703-1651A	1	S	Cover, LH Belt
7	703-1693	1	S	Bracket, Hinge Mtg
8	703-2182	1	S	Cover, RH Belt
9	703-2559	1		Bracket, Handle Stop
10	710-0167	7	/P	Bolt, Carriage, 1/4-20 x .50 Lg
11	710-0258	2	S	Screw, Hex Cap, 1/4-20 x .62 Lg GR2
12	710-3008	1	/P	Screw, Hex Cap, 5/16-18 x .75 Lg GR5
13	710-3021	4	/P	Screw, Hex Cutting, 5/16-18 x .62 Lg
14	710-3178	3	/P	Bolt, Sht Nk Carriage, 3/8-16 x .75 Lg GR5
15	711-0792	1	S	Pin, Hinge, .25 Dia x 6.75 Lg
16	711-3256	2	/P	Axle, Deck
17	711-3266	2	S	Pin, Clevis w/Ball Detent
18	711-3314	1	S	Pin, Roller, 1/2 Dia x 7.31 Lg
19	712-0271	7	/P	Nut, Hex Sems, 1/4-20
20	712-0287	4	S	Nut, Hex, 1/4-20
21	712-0431	4	S	Nut, Hex Flanged Lock, 3/8-16
22	712-3004A	1	/P	Nut, Hex Flange Top Lock 5/16-18
23	712-3010	4	S	Nut, Hex, 5/16-18 GR5
24	712-3048	2	S	Nut, Hex Jam, 1/2-13 GR5
25	712-3083	2	/P	Nut, Hex Top Nylon Lock 1/2-13
26	714-0115	1	S	Pin, Cotter, 1/8 Dia x 1.0 Lg
27	715-3003	2	/P	Pin, Spirol Spring, 3/16 Dia x .75 Lg
28	726-0106	1	S	Cap, Speed Nut
29	731-1032	1	S	Deflector Assy, Chute
30	731-3005	1	/P	Roller
31	732-0262	1	S	Spring, Extension, .88 OD x 6.12
32	732-0602	1	S	Spring, Torsion
33	732-3115	1	/P	Spring, Extension, 1.25 OD x 8.15 Lg
34	732-3127	2	S	Spring, Compression
35	734-0973	2	/P	Wheel, Deck, 5 in. Dia
36	736-0105	2	/P	Washer, Bell, .380 x .88 x .062 Thk
37	736-0270	4	/P	Washer, Bell, .265 x .75 x .062 Thk
38	736-0272	2	S	Washer, Flat, .510 x 1.0 x .060 Thk
39	736-0275	4	S	Washer, Flat, .34 x .68 x .062 Thk
40	738-0143	1	/P	Bolt, Shoulder, .498 Dia x .340 Lg
41	738-0507B	2	S	Bolt, Shoulder, .50 Dia x .434 Lg
42	738-0533	2	S	Bolt, Shoulder, .498 Dia x 1.64 Lg
43	738-0572	2	S	Bolt, Shoulder, .375 Dia x 1.16 Lg
44	747-3172	1	S	Rod, Front Lift
45	747-3188	2		Pin, Mower Support
46	759-3731	1		Deck Assy w/Graphics
	777-9192A	1	S	Graphic, Rider Danger
	777-1043	1		Graphic, Man & Machine
	777-9341	1	S	Graphic, Assemble Chute
47	777-2196	1	S	Graphic, Danger



2145 Tractor S/N 239,001 - 326,005  
42" Spindle Assembly

Page 4 of 79

Ref #	Part Number	Qty	S/P/F	Description
1	603-0172	1	S	Pivot Arm, Double Pulley
2	703-1387	4	S	Cup, Spindle Hdn
3	703-1650	2	/P	Plate, Spindle Mtg
4	703-2463	1	S	Arm, Idler
5	710-0520	1	/P	Screw, Hex Cap, 3/8-16 x 1.5 Lg GR5
6	710-0923	1	/P	Screw, Hex Cap, 5/8-18 x 3.0 Lg GR5
7	710-1010	1	/P	Screw, Hex Cap, 1/2-20 x 3.0 Lg GR8
8	710-3005	6	/P	Screw, Hex Cap, 3/8-16 x 1.25 Lg GR5
9	711-3171	4	S	Spacer, .755 x 1.25 x .44 Lg
10	712-0239	1	S	Nut, Hex Center Lock, 1/2-20
11	712-0431	7	S	Nut, Hex Flanged Lock, 3/8-16
12	712-3018	2	S	Nut, Hex, 3/4-16 GR8
13	712-3026	2	S	Nut, Hex Jam, 3/4-16 GR5
14	714-0135	2	S	Key, #91 Woodruff, 1/4 x 3/4 Hdn
15	716-3020	2	S	Snap Ring, Internal
16	721-3018	4	S	Seal, Oil, 1.25 x 1.874 x .25
17	732-0262	1	S	Spring, Extension, .88 OD x 6.12 Lg
18	732-3115	1	/P	Spring, Extension, 1.25 OD x 8.15 Lg
19	736-0100	1	/P	Washer, Flat, .531 x 1.25 x .036 Thk
20	736-0179	1	S	Washer, Flat, .531 x 1.25 x .100 Thk
21	736-0290	1	/P	Washer, Flat, .63 x 1.0 x .063 Thk Hdn
22	736-3014	2	/P	Washer, Flat, .781 x 2.0 x .1 05 Thk
23	736-0258	6	/P	Washer, Flat, .385 x 1.0 x .1 35 Thk
24	737-3000	3	S	Fitting, 3/16 Drive Lube
25	741-0338	2	/P	Bearing, Flange, 3/4 ID x .53 Lg
26	741-0524	2	S	Bearing, Ball, .62 ID x 1.57 OD x .44 Thk
27	741-3028	4	S	Cone, Bearing
28	741-3030	2	S	Spacer, Bearing
29	742-3018	2	S	Blade, Low Lift, 21.20 Lg
	742-3017	2	S	Blade, Bagging, 21.20 Lg
30	748-3020	2	S	Spacer
31	750-0656	1	/P	Spacer, Idler Brkt, .50 ID x .75 OD x 2.25 Lg
32	750-3132	1	S	Spacer, Pulley, .635 ID x .88 OD x 1.25 Lg
33	754-3055A	1	S	Belt, PTO, B-Section x 112.4
34	754-3073	1	S	Belt, Spindle, A-Section x 62 Lg
35	756-0627	1	S	Pulley, Flat Idler, 3.5 OD
36	756-3008	2	/P	V-Pulley, 4.62 OD
37	756-3069	1	S	Pulley, Double
38	759-3226	2	S	Housing w/Cups, Spindle
39	759-3369	2	S	Kit, Shaft w/Seal
40	759-3665	2	S	Spindle Assy, Blade



2145 Tractor S/N 239,001 - 326,005  
Air Cylinder Housing

Ref #	Part Number	Qty	S/P/F	Description
1	ME-134-5059	1		Housing, Air Cylinder
2	ME-098-6942	1		Label, Model Ident
3	ME-815-0829-04	4		Screw, Hex Head Flange, Thread Forming, M8 x 1.25 x 16 mm
4	ME-821-2033	1		Screw, Flange Lock M6 x 1 x 16 mm
5	ME-403-3632-02	1		Bracket, Lift
6	ME-123-1972	1	S	Indicator & Cap Assy
7	ME-509-0304	1		O-Ring, Upper
8	ME-123-1970	1		Tube, Oil Fill
9	ME-509-0324	1		O-Ring, Lower

