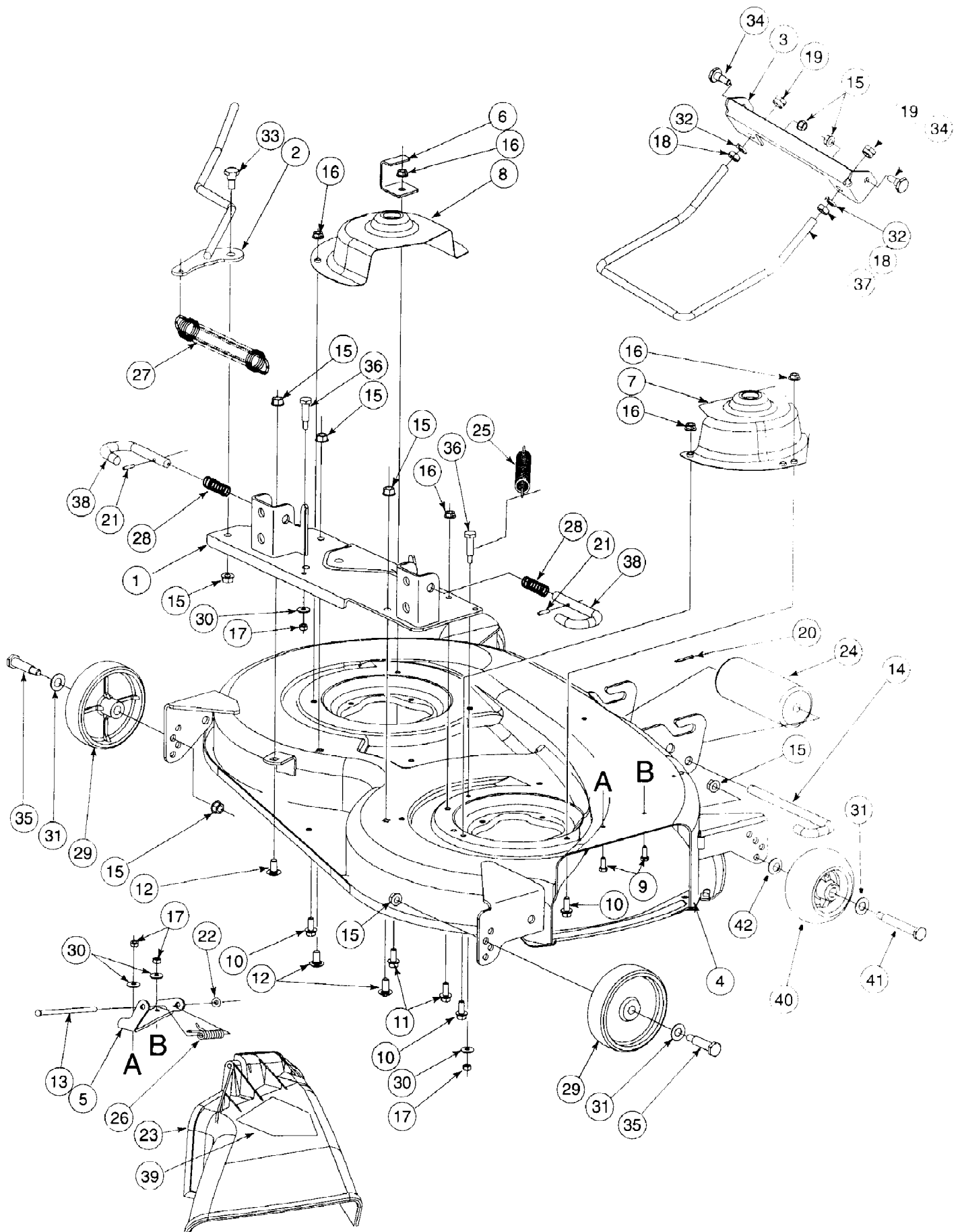


2135 Tractor S/N 326,006 & Up
38" Deck Assembly Serial No. 359000 And Below

Ref #	Part Number	Qty	S/P/F	Description
1	17863	1	S	Skirt, Extension
2	603-0181	1	S	Plate Assembly, Mounting
3	603-0199	1		Handle, Tension
4	603-0200	1	S	Bracket, Front Lift
5	703-1413	1		Cover, LH Belt
6	703-1693	1	S	Bracket, Hinge Mounting
7	703-2182	1	S	Cover, RH Belt
8	703-2559	1		Bracket, handle Stop
9	710-0167	3	/P	Bolt, Carriage, 1/4-20 x .50
10	710-0258	2	S	Screw, Hex Cap, 1/4-20 x .62
11	710-0520	1	/P	Screw, Hex Cap 3/8-16 x 1.5 GR5
12	710-3008	1	/P	Screw, Hex Cap 5/16-18 x .75 GR5
13	710-3021	5	/P	Screw, Hex Cutting, 5/16-18 x .62
14	710-3178	2	/P	Bolt, Carriage, 3/8-16 x .75 GR5
15	711-0792	1	S	Pin, Hinge, .25 Dia x 6.75 Lg
16	711-3224	1		Spacer, .395 x .75 x .440
17	711-3314	1	S	Pin, Roller, 1/2 Dia x 7.31 Lg
18	712-0271	3	/P	Nut, Hex Sems, 1/4-20
19	712-0287	4	S	Nut, Hex, 1/4-20
20	712-0431	8	S	Nut, Hex Flange Lock, 3/8-16
21	712-3004A	1	/P	Nut, Hex Flange Lock, 5/16-18
22	712-3010	5	S	Nut, Hex, 5/16-18 GR5
23	712-3048	2	S	Nut, Hex Jam, 1/2-13 GR5
24	712-3083	2	/P	Nut, Hex Insert Lock, 1/2-13
25	714-0115	1	S	Pin, Cotter, 1/8 x 1.0
26	715-3003	2	/P	Pin, Spirol Spring, 3/16 x .75
27	726-0106	1	S	Cap, Speed Nut
28	731-1032	1	S	Deflector Assy, Chute (Includes Ref No 6, 15, 27 & 31)
29	731-3005	1	/P	Roller
30	732-0262	1	S	Spring, Extension, .88 OD x 6.12
31	732-0602	1	S	Spring, Torsion
32	732-3115	1	/P	Spring, Extension, 1.25 OD x 8.15
33	732-3127	2	S	Spring, Compression
34	734-0973	2	/P	Wheel, Deck, 5 in. Dia
35	736-0270	4	/P	Washer, Bell, .265 x .75 x .062
36	736-0272	2	S	Washer, Flat, .510 x 1.0 x .060
37	736-0275	5	S	Washer, Flat, .34 x .68 x .062
38	738-0143	1	/P	Bolt, Shoulder, .498 Dia x .340 Lg
39	738-507B	2		Bolt, Shoulder, .50 Dia x .434 Lg
40	738-0533	2	S	Bolt, Shoulder, .498 Dia x 1.64 Lg
41	738-0572	2	S	Bolt, Shoulder, .375 Dia x 1.16 Lg
42	747-3172	1	S	Rod, Front Lift
43	747-3188	2		Pin, Mower Support
44	759-3730	1		Deck Assy w/Graphics
	777-9192B	1	S	Graphic, Rider Danger
	777-1043	1		Graphic, Man & Machine
	777-9341	1	S	Graphic, Assemble Chute
	777 3947	1		Graphic, Tension Lever
45	777-1584	1	S	Graphic, Danger
46	736-0921	2	S	Washer, Lock, 1/2

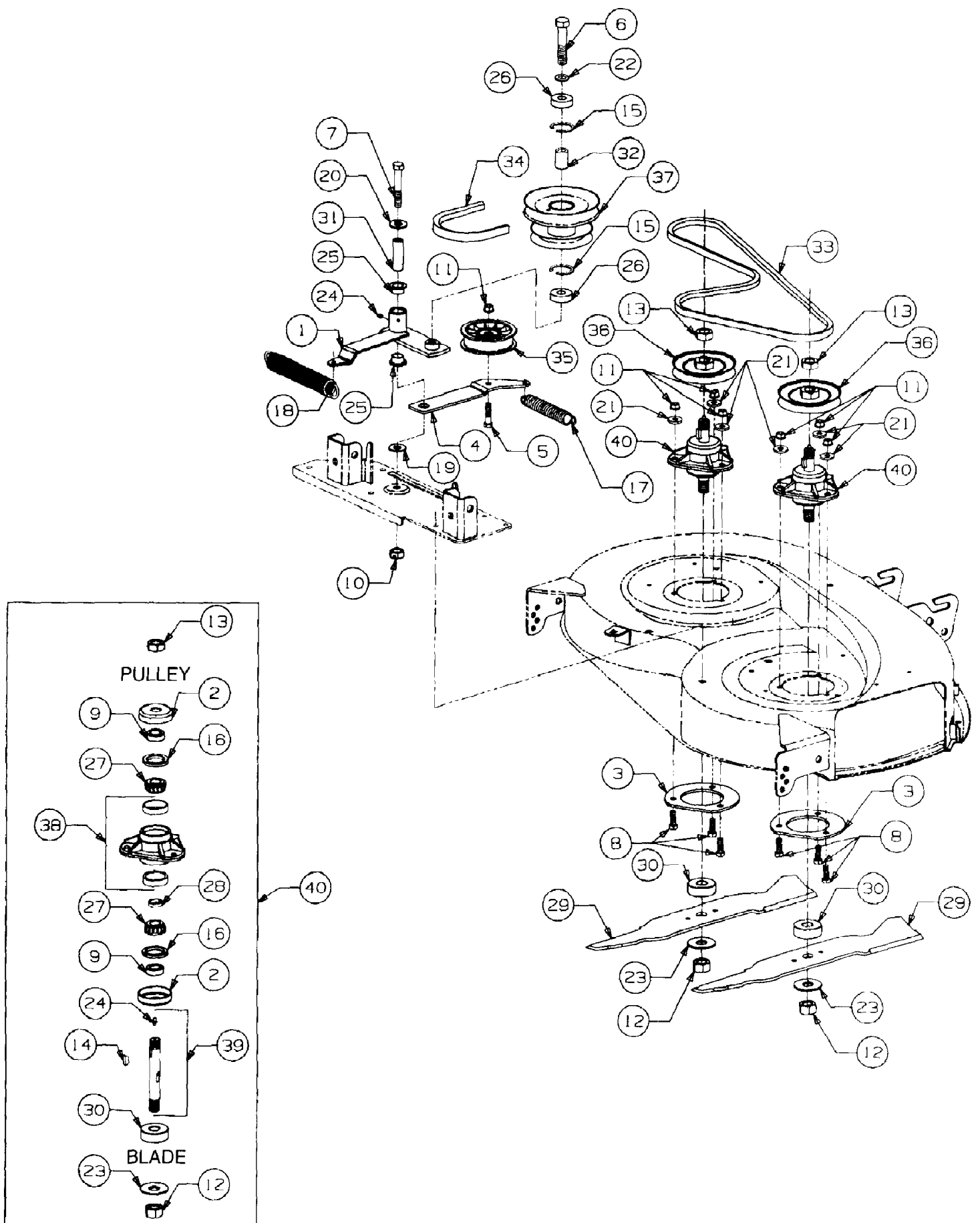
2135 Tractor S/N 326,006 & Up
38" Deck Assembly Serial No. 359001 And Above



2135 Tractor S/N 326,006 & Up
38" Deck Assembly Serial No. 359001 And Above

Page 4 of 84

Ref #	Part Number	Qty	S/P/F	Description
1	603-0181A-0498	1	S	Plate Assembly, Mounting
2	603-0199	1		Handle, Tension
3	603-0200-0498	1	S	Bracket, Front Lift
4	603-0408-0498	1		Deck Assy, 38" w/out Front Wheels
4	603-0408A-0498	1		Deck Assy, 38" w/Front Wheels
	777S30010	1	S	Graphic, Danger Top/RH Deck
	777S30014	1	/P	Graphic, Tension Lever
	777S30018	1	/P	Graphic, Safety Top/LH Deck
	777S30012	1	S	Graphic, Assembly Chute
5	703-1693-0498	1		Bracket, Hinge Mounting
6	703-2559-0498	1	S	Bracket, Handle Stop
7	703-3237-0498	1	/P	Shield, RH Pulley
8	703-2945-0498	1	S	Shield, LH Pulley
9	710-0751	2	/P	Screw, Hex Cap, 1/4-20 x .62 GR5
10	710-1260A	3	/P	Screw, Hx Wsh Hd Tapp, 5/16-18 x.75
11	710-3008	2	/P	Screw, Hex Cap, 5/16-18 x .75 GR5
12	710-3178	3	/P	Bolt, Carriage, 3/8-16 x .75
13	711-0792	1	S	Pin, Hinge, .25 Dia x 6.75 Lg
14	711-3314	1	S	Pin, Roller, 1/2 Dia x 7.31 Lg
15	712-0431	10	S	Nut, Hex Flange Lock, 3/8-16
16	712-3004A	5	/P	Nut, Hex Flange Lock, 5/16-18 GR5
17	712-3006	4	/P	Nut, Hex, 1/4-20
18	712-3048	2	S	Nut, Hex Jam, 1/2-13 GR5
19	712-3083	2	/P	Nut, Hex Insert Lock, 1/2-13
20	714-3004	1		Pin, Cotter, 3/32 x 1.25
21	715-3003	2	/P	Pin, Spirol Spring, 3/16 x .75
22	726-0106	1	S	Cap, Speed Nut
23	731-1032	1	S	Deflector Assy, (Incl 5, 13, 22, 26)
24	731-3005	1	/P	Roller
25	732-0262	1	S	Spring, Extension, .88 OD x 6.12
26	732-0602	1	S	Spring, Torsion
27	732-3115	1	/P	Spring, Extension, 1.25 OD x 8.15
28	732-3127	2	S	Spring, Compression
29	734-0973	2	/P	Wheel, Deck, 5 in. Dia
30	736-0270	4	/P	Washer, Bell, .265 x .75 x .062
31	736-0272	4	S	Washer, Flat, .510 x 1.0 x .060
32	736-0921	2	S	Washer, Lock, 1/2
33	738-0143	1	/P	Bolt, Shoulder, .498 Dia x .340 Lg
34	738-507B	2		Bolt, Shoulder, .50 Dia x .434 Lg
35	738-0533	2	S	Bolt, Shoulder, .498 Dia x 1.64 Lg
36	738-0572	2	S	Bolt, Shoulder, .375 Dia x 1.16 Lg
37	747-3172	1	S	Rod, Front Lift
38	747-3188	2		Pin, Mower Support
39	777S30145	1	S	Graphic, Danger
40	703-1890	2	S	Wheel, Deck w/Fitting
	737-0280	2	S	Lube Fitting
41	738-3056	2	S	Bolt, Shoulder, 1/2 x 2.5
42	736-0105	2	/P	Washer, Bell, .401 x .870 x .063

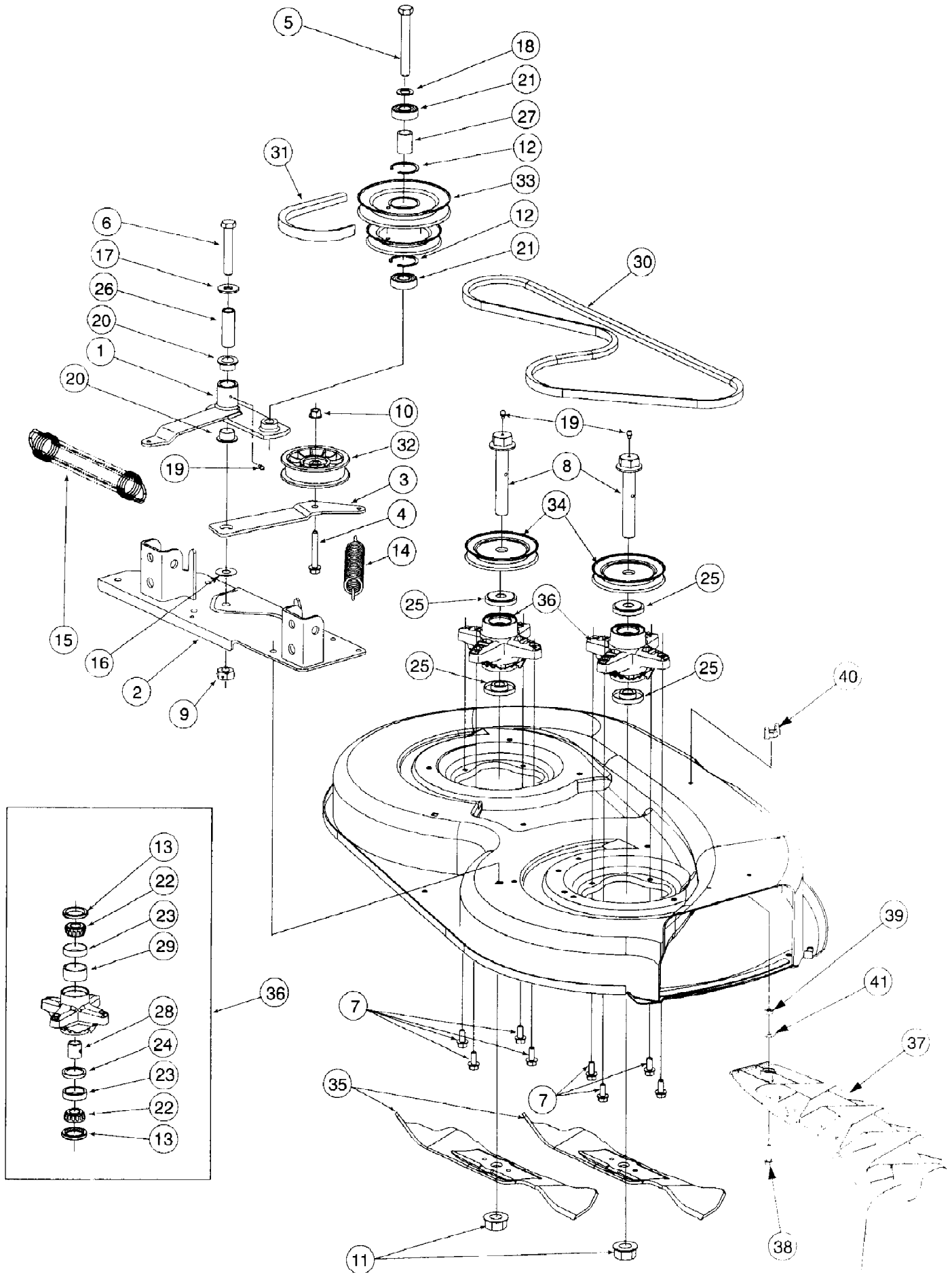


2135 Tractor S/N 326,006 & Up
38" Spindle Assembly Serial No. 359000 And Below

Page 6 of 84

Ref #	Part Number	Qty	S/P/F	Description
1	603-0172	1	S	Pivot Arm, Double Pulley
2	703-1387	4	S	Cup, Spindle Hdn
3	703-1650	2	/P	Plate, Spindle Mounting
4	703-2463	1	S	Arm, Idler
5	710-0520	1	/P	Screw, Hex Cap, 3/8-16 x 1.5 GR5
6	710-0923	1	/P	Screw, Hex Cap, 5/8-18 x 3.0 GR5
7	710-1010	1	/P	Screw, Hex Cap, 1/2-20 x 3.0 GR8
8	710-3005	6	/P	Screw, Hex Cap, 3/8-16 x 1.25 GR5
9	711-3171	4	S	Spacer, .755 x 1.25 x .44
10	712-0239	1	S	Nut, Hex Center Lock, 1/2-20
11	712-0431	7	S	Nut, Hex Flange Lock, 3/8-16
12	712-3018	2	S	Nut, Hex, 3/4-16 GR8
13	712-3026	2	S	Nut, Hex Jam, 3/4-16 GR5
14	714-0135	2	S	Key, #91 Woodruff, 1/4 x 3/4 Hdn
15	716-3020	2	S	Snap Ring, Internal
16	721-3018	4	S	Seal, Oil, 1.25 x 1.874 x .25
17	732-0262	1	S	Spring, Extension, .88 x 6.12
18	732-3115	1	/P	Spring, Extension, 1.25 x 8.15
19	736-0100	1	/P	Washer, Flat, .531 x 1.25 x .036
20	736-0179	1	S	Washer, Flat, .531 x 1.25 x .100
21	736-0258	6	/P	Washer, Flat, .385 x 1.0 x .135
22	736-0290	1	/P	Washer Flat .63 x 1.0 x .063 Hdn
23	736-3014	2	/P	Washer, Flat, .781 x 2.0 x .105
24	737-3000	3	S	Fitting, 3/16 Drive Lube
25	741-0338	2	/P	Bearing, Flange, 3/4 ID x .53 Lg
26	741-0524	2	S	Bearing, Ball, .62 ID x 1.57 OD
27	741-3028	4	S	Cone, Bearing
28	741-3030	2	S	Spacer, Bearing
29	759-3817	2	/P	Blade, Low Lift, 19.38 Lg
	759-3831	2	/P	Blade, Hard Coated Low Lift 19.38
	759-3816	2	/P	Blade, Bagging, 19.38 Lg
	759-3832	2	/P	Blade, Hard Coated Bagging, 19.38 Lg
30	748-3020	2	S	Spacer
31	750-0656	1	/P	Spacer, Idlr Brkt, .50 ID x .75 OD x 2.25
32	750-3132	1	S	Spacer, Pulley, .635 ID x .88 OD x 1.25
33	754-3029	1	S	Belt, Spindle, A-Section x 59 Lg
34	754-3055A	1	S	Belt, PTO, B-Section x 112.4 Lg
35	756-0627	1	S	Pulley, Flat Idler, 3.5 OD
36	756-3008	2	/P	V-Pulley, 4.62 OD
37	756-3070	1	S	Pulley, Double
38	759-3226	2	S	Housing w/Cups, Spindle
39	759-3369	2	S	Kit, Shaft w/Seal
40	759-3665	2	S	Spindle Assembly, Blade

2135 Tractor S/N 326,006 & Up
38" Spindle Assembly Serial No. 359001 And Above



Ref #	Part Number	Qty	S/P/F	Description
1	603-0172-0498	1	S	Pivot Arm, Double Pulley
2	603-0181A-0498	1	S	Plate Assembly, Mounting
3	703-2463-0498	1	S	Arm, Idler
4	710-0520	1	/P	Screw, Hex Cap, 3/8-16 x 1.5 GR5
5	710-0923	1	/P	Screw, Hex Cap, 5/8-18 x 3.0 GR5
6	710-1010	1	/P	Screw, Hex Cap, 1/2-20 x 3.0 GR8
7	710-1260	8	S	Screw, Hx Wsh Hd Tapp, 5/16-18 x .75
8	710-1336	2	S	Bolt, Spindle, 3/4-16 x 4.25
9	712-0239	1	S	Nut, Hex Center Lock, 1/2-20
10	712-0431	1	S	Nut, Hex Flange Lock, 3/8-16
11	712-3078	2	/P	Nut, Hex Flange, 3/4-16
12	716-3020	2	S	Snap Ring, Internal
13	721-3018	4	S	Seal, Oil, 1.25 x 1.874 x .25
14	732-0262	1	S	Spring, Extension, .88 x 6.12
15	732-3115	1	/P	Spring, Extension, 1.25 x 8.15
16	736-0100	1	/P	Washer, Flat, .531 x 1.25 x .036
17	736-0179	1	S	Washer, Flat, .531 x 1.25 x .100
18	736-0290	1	/P	Washer, Flat, .63 x 1.0 x .063 Hdn
19	737-3000	3	S	Fitting, 3/16 Drive Lube
20	741-0338	2	/P	Bearing, Flange, 3/4 ID x .53 Lg
21	741-0524	2	S	Bearing, Ball, .62 ID x 1.57 OD
22	741-3028	4	S	Cone, Bearing
23	741-3029	4	/P	Cup, Bearing
24	741-3031	2	S	Spacer, Bearing
25	748-3065	4	S	Spacer, Deck Spindle
26	750-0656	1	/P	Spacer, Idlr Brkt .50 ID x .75 OD x 2.25
27	750-3132	1	S	Spacer, Pulley, .635 ID x .88 OD x 1.25
28	750-3190	2	S	Spacer, Bearing, .780 x .963 x .7777
29	750-3191	2	S	Spacer, Bearing, 1.615 x 1.86 x .8427
30	754-3029	1	S	Belt, Spindle, A-Section x 59 Lg
31	754-3055A	1	S	Belt, PTO, B-Section x 112.4 Lg
32	756-0627	1	S	Pulley, Flat Idler, 3.5 OD
33	756-3070	1	S	Pulley, Double
34	756-3089	2		V-Pulley, 4.0 Dia
35	759-3829	2		Blade, 3 In One, 19.38 Lg
36	918-3129	2	S	Spindle Assy, (Incl. 13, 22-24, 28, 29)
37	731-1643A	1	S	Plug, Mulch
38	710-0597	1	/P	Screw, Hex Cap, 1/4-20 x 1.0 GR5
39	712-3006	1	/P	Nut, Hex, 1/4-20
40	712-3087	1	/P	Nut, Wing, 1/4-20
41	736-0173	1	/P	Washer, Flat, .28 x .74 x .063