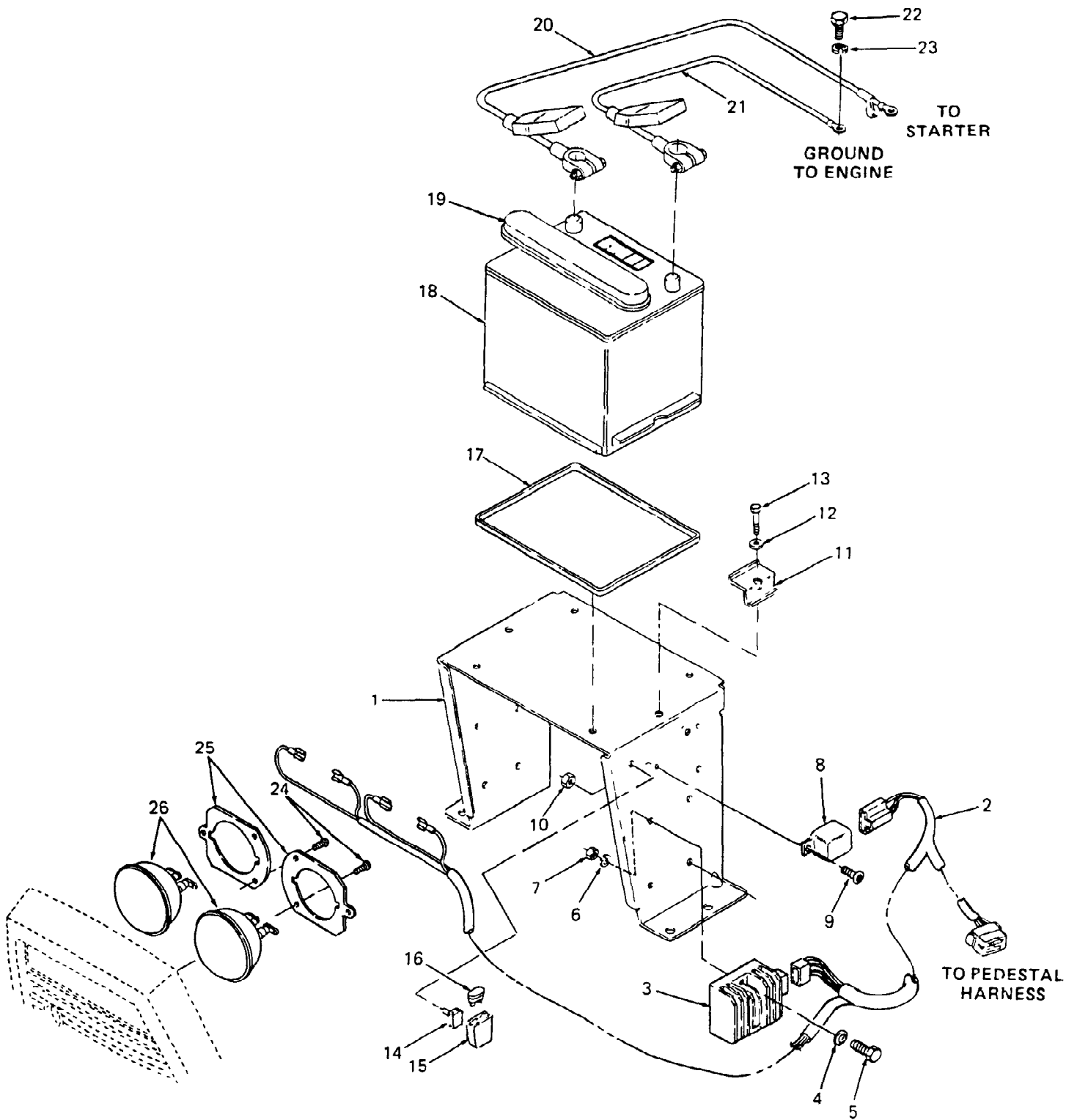


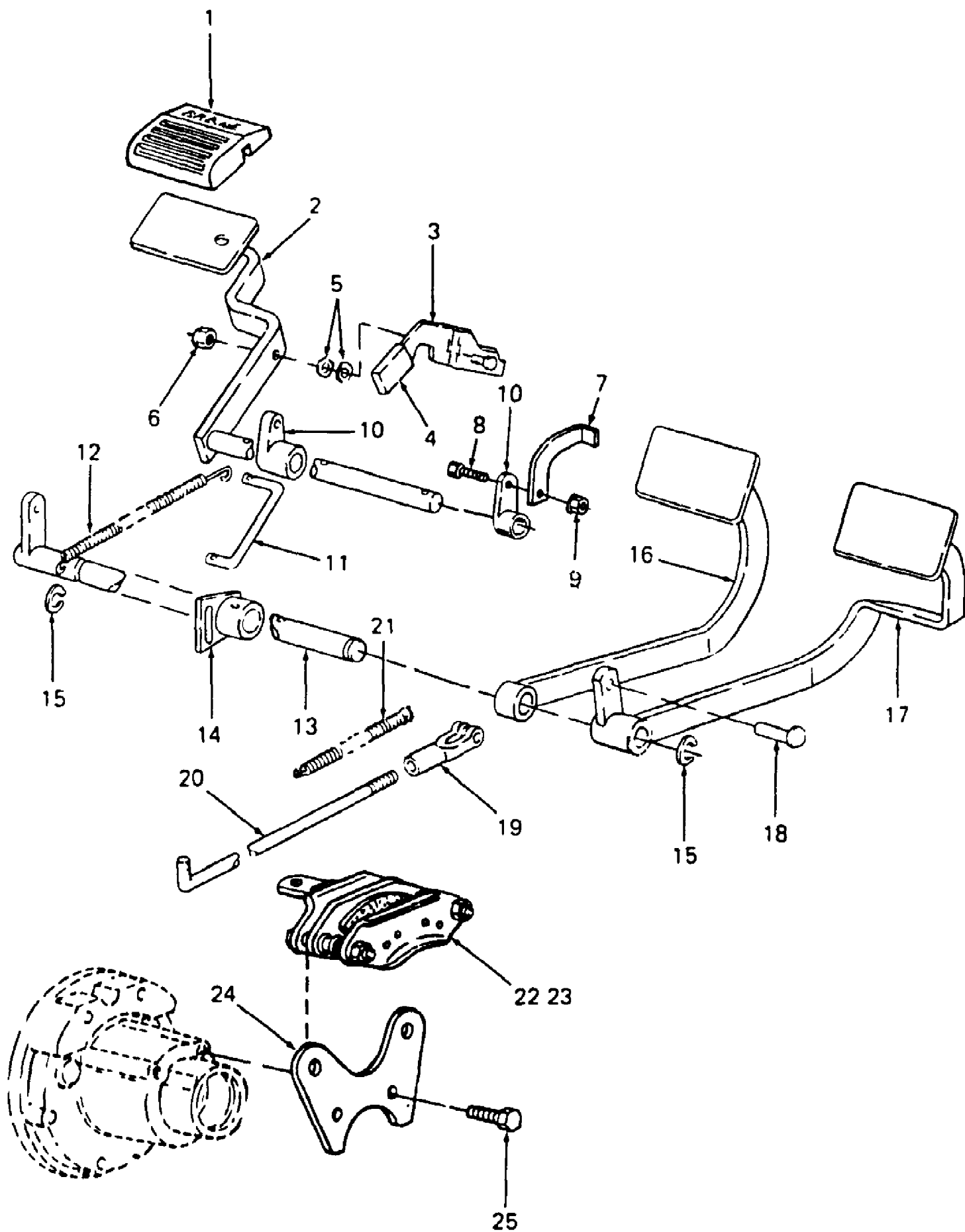
2086 S/N 880,001 - 899,000
Air Filter

Ref #	Part Number	Qty	S/P/F	Description
1	KM-11011-2239	1	S	Case, Air Filter
2	KM-11011-2259	1	/P	Base, Air Filter
3	KM-11013-2114	1		Element, Foam
4	KM-11013-2139	1	S	Element, Air Filter
5	KM-11029-2005	1	S	Air Filter Assy Includes Ref No. 3 & 4
6	KM-1104721119H	1		Bracket, Air Filter
7	KM-92002-2230	2		Bolt
8	KM-92143-2178	3		Collar, 5.1 x 6.3 x 14
9	KM-92143-2189	4		Collar, 6.2 x 7.8 x 7.5
10	KM-92191-2010	1	/P	Tube
11	KM-9220020599H	2	/P	Washer
12	KM-234B0525	3		Screw, Pan, WSP
13	KM-242B0516	4		Screw, Pan

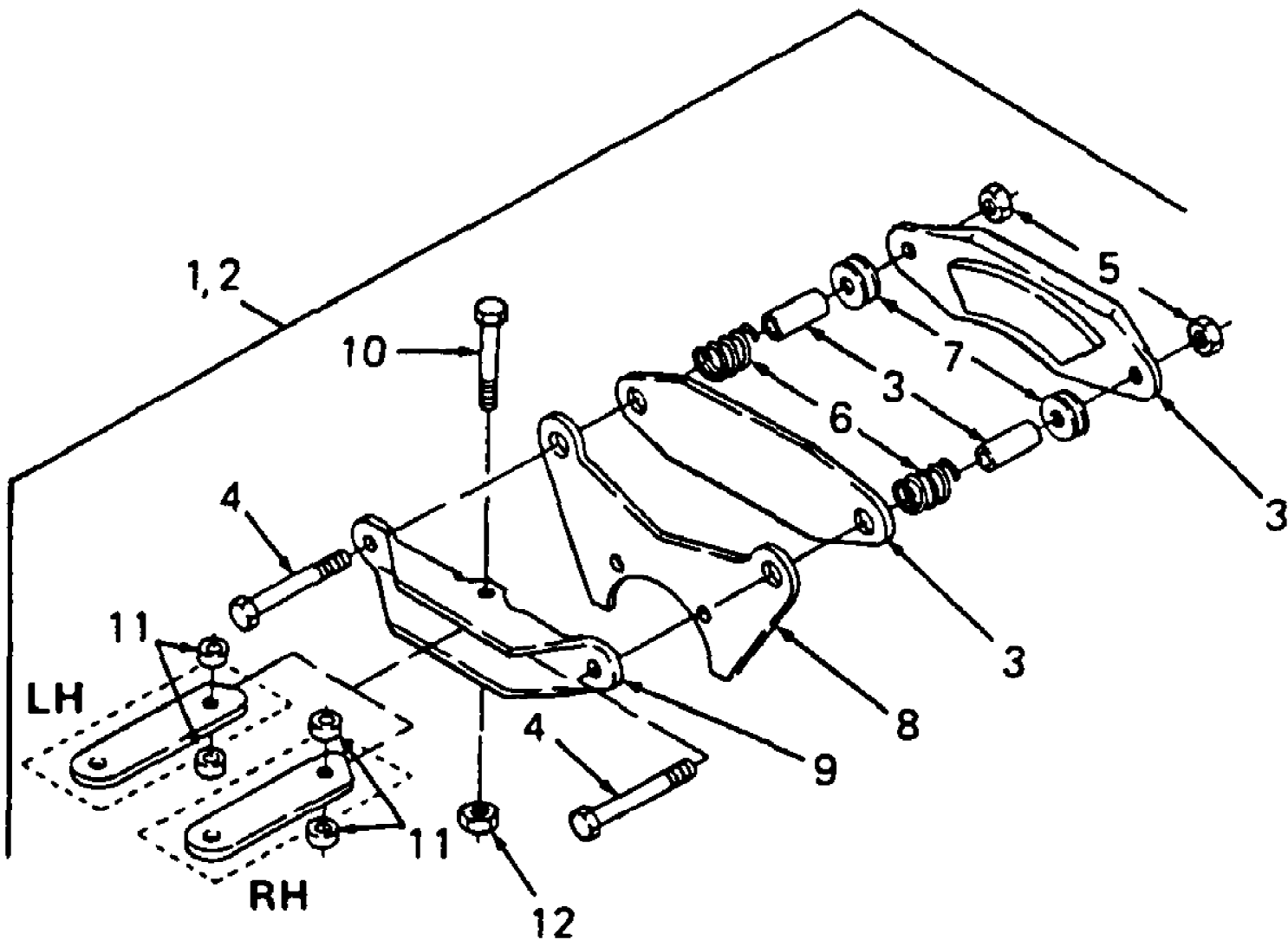


Battery, Battery Tray And Electrical Components

Ref #	Part Number	Qty	S/P/F	Description
1	703-1892	1		Tray Assy, Battery
	710-0751	2	/P	Screw, Hex Cap, 1/4-20 x .62 Lg GR5
	736-0329	2	S	Washer, Lock, 1/4
	712-3006	2	/P	Nut, Hex, 1/4-20 GR5
2	629-3018	1		Harness, Main Wire
	725-0157	3	/P	Tie, Self Clinching Cable
	726-0154	3	S	Tie, Push Mount Cable
	726-3049	2	S	Tie, Cable
3	KM-21066-2070	1		Regulator, Voltage
4	736-0270	2	/P	Washer, Bell, .265 x .75 x .062 Thk
5	710-0106	2	/P	Screw, Hex Cap, 1/4-20 x 1.25 Lg
6	736-0329	2	S	Washer, Lock, 1/4
7	712-3006	2	/P	Nut, Hex, 1/4-20 GR5
8	725-1375	1	S	Relay
9	710-0473	1	/P	Screw, Truss Mach, #10-24 x .50 Lg
10	712-0998	1	/P	Nut, Hex, Center Lock, #10-24
11	703-1823	2	S	Hold Down, Battery
12	736-0275	2	S	Washer, Flat, .34 x .68 x .062 Thk
13	710-3103	2	/P	Screw, Hex Cap, 5/16-18 x 2.0 Lg
14	729-0209	1		Clip, Fuse Holder Mtg
15	729-0207	1		Holder, Fuse
16	725-1381	1	S	Fuse, 20 Amp
17	731-3105	1		Tray, Battery
18	725-3174	1	S	Battery
19	759-3653	1		Cap, Battery Vent
	759-3654	1		Tube, Battery Vent
20	725-3199	1	S	Cable, Positive Battery
	726-0215	1		Strap, Tie
21	725-3192	1		Cable, Negative Battery
22	710-3137	1		Screw, Hex Cap, M8 x 1.25 x 20 MM GR5
23	736-0169	1	S	Washer, Lock, 3/8
24	710-0748	6	/P	Screw, Pan Hd Tapp, #12 x .50 Lg
25	703-2759	2	S	Plate, Headlamp Mounting
26	725-0222	2	S	Headlamp, Sealed Beam



Ref #	Part Number	Qty	S/P/F	Description
1	724-3004	3	S	Pad, Brake Pedal
2	703-0848	1		Pedal Assy, Brake
	715-0114	1	S	Pin, Spiral Spring, 1/4 Dia x 1.50 Lg
3	703-1393	1		Bracket, Parking Brake
4	720-3019	1	S	Grip, Parking Brake
5	736-3001	2	/P	Washer, Wave, 1/4 Dia
6	712-0324	1	/P	Nut, Hex Insert Lock, 1/4-20
7	703-2280	1	S	Bracket, Start Switch
8	710-3000	1	S	Screw, Hex Cap, 3/8-16 x .75 Lg GR5
9	712-3005	1	S	Nut, Hex Flanged Lock, 3/8-16 GR5
10	748-3006	2	S	Lever, Brake
	715-0114	2	S	Pin, Spiral Spring, 1/4 Dia x 1.50 Lg
11	747-3023	1	/P	Rod, Center Brake
	714-0507	2	S	Pin, Cotter, 3/32 Dia x .75 Lg
	736-0185	2	S	Washer, Flat, .406 x .75 x .063 Thk
12	732-3010	1	S	Spring, Extension, .50 OD x 7.32 Lg
13	703-0223	1		Shaft Assy, Brake
14	703-0225	1	S	Arm Assy, Parking Brake Plate
	715-0114	1	S	Pin, Spiral Spring, 1/4 Dia x 1.50 Lg
15	716-3001	2	S	Ring, Retaining
16	703-0412	1		Pedal Assy, LH - Brake
	715-3000	1	S	Pin, Spiral Spring, 1/4 Dia x 1.38 Lg
17	703-0416	1		Pedal Assy, RH - Brake
	737-3000	1	S	Fitting, Lube, 3/16 Drive Type
18	711-3037	2	S	Pin, Clevis, 3/8 Dia x 1.56 Lg
	736-0185	2	S	Washer, Flat, .406 x .75 x .063 Thk
	714-0507	2	S	Pin, Cotter, 3/32 Dia x .75 Lg
19	719-3013	2	/P	Clevis, Adjustment
20	747-3022	2	/P	Rod, Brake
	712-3001	2	S	Nut, Hex Jam, 3/8-24 GR5
	736-0185	2	S	Washer, Flat, .406 x .75 x .063 Thk
	714-0474	2	S	Pin, Cotter, 1/8 Dia x .75 Lg
21	732-3026	2		Spring, Extension, .66 OD x 3.3 Lg
22	661-3001	1		Brake Kit, RH Caliper Includes Ref No. 24
23	661-3002	1		Brake Kit, LH Caliper Not shown; Includes Ref No. 24
24	703-1787	2		Bracket, Brake Mounting
25	710-0643	4	/P	Screw, Hex Cap, 5/16-18 x 1.0 Lg GR5



2086 S/N 880,001 - 899,000
Caliper Brake Assembly

Page 8 of 97

Ref #	Part Number	Qty	S/P/F	Description
1	661-3001	1		Brake Kit, RH Caliper
2	661-3002	1		Brake Kit, LH Caliper
3	759-3688	2	/P	Puck Kit, Brake Includes Ref No. 4 (Qty 2), 5 (Qty 2), 6 (Qty 2) & 7 (Qty 4)
4	710-0369	4	/P	Screw, Hex Cap, 3/8-24 x 2.50 Lg GR5
5	712-3054	4	/P	Nut, Hex Lock, 3/8-24 GR5
6	732-3042	4	S	Spring, Compression
7	736-0344	1	S	Washer, Flat, .390 x 1.0 x .030 Thk HDN As required
8	703-1787	2		Bracket, Brake Mounting
9	661-3000	2	S	Bracket Assy, Actuator Includes Ref No. 10, 11 (Qty 2) & 12
10	710-3133	2		Screw, Shoulder
11	750-3069	4		Spacer
12	712-3055	2	S	Nut, Hex Top Lock, 1/4-20

