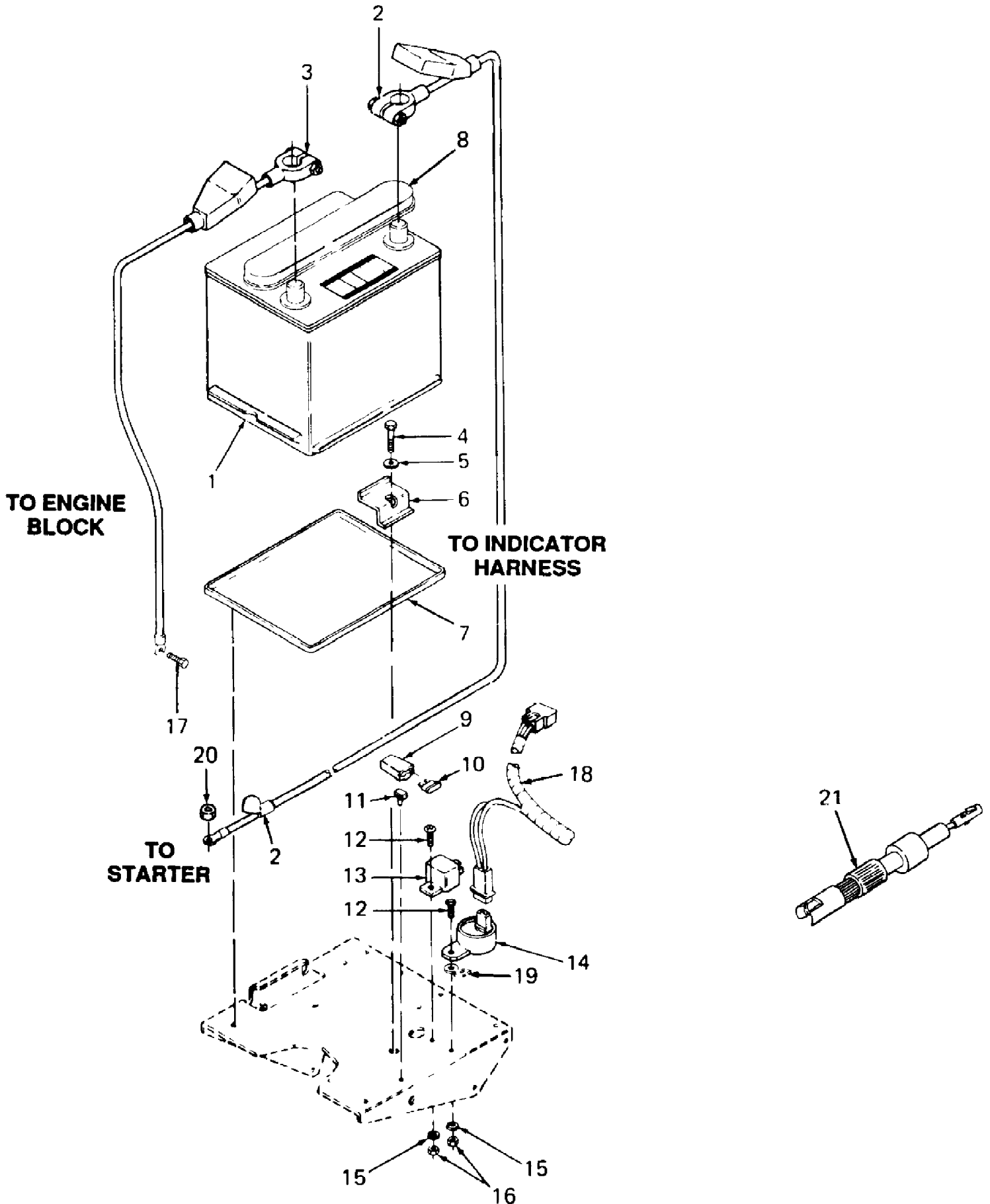


2084 S/N 836,000 - 864,500
Air Intake/Filtration

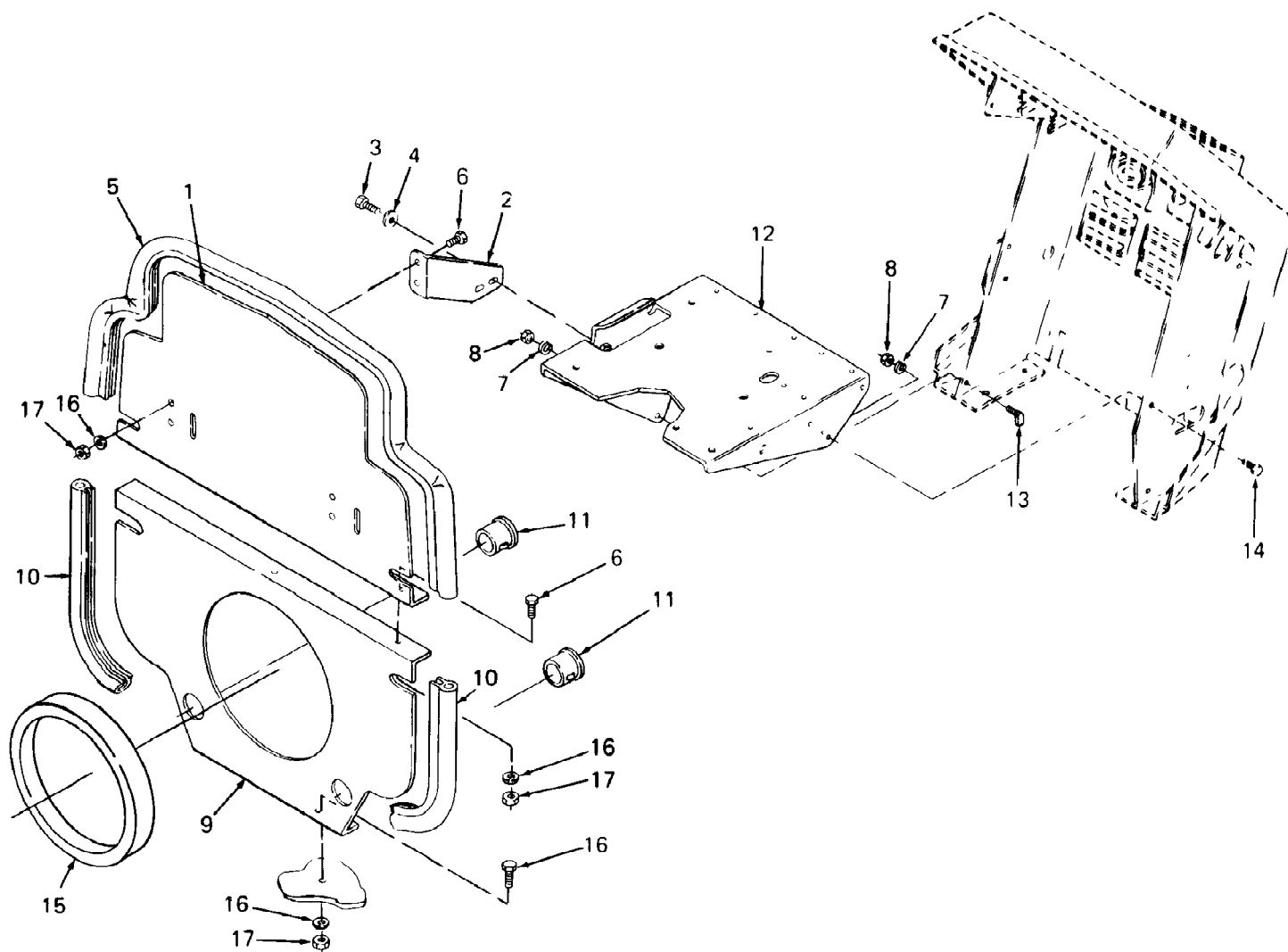
Page 2 of 86

Ref #	Part Number	Qty	S/P/F	Description
1	KH-24-041-01	2	/P	Gasket, Intake Manifold
2	KH-24-164-01	1	S	Manifold, Intake
3	KH-M-0639055	4	S	Screw, M6 X 1.0 X 18
4	KH-24-041-06	1	/P	Gasket, Air Cleaner Base
5	KH-24-094-03	1	S	Base, Air Cleaner
6	KH-24-126-01	1		Bracket, Air Cleaner
7	KH-M-0651016	3	S	Screw, M6 X 1.0 X 10
8	KH-47-083-03	1	S	Element, Air Cleaner
9	KH-24-083-02	1	S	Element, Pre-Cleaner
10	KH-24-032-03	1	/P	Seal, Air Intake
11	KH-24-096-01	1	/P	Cover, Inner Air Cleaner
12	KH-12-100-01	1	/P	Nut, Wing
13	KH-24-096-03	1	S	Cover, Air Cleaner
	KH-24-113-08	1		Decal, Horsepower
14	KH-24-089-04	2		Spring, Latch
15	KH-24-344-01	2	S	Latch, Lever
16	KH-24-380-03	2		Pin, ACR Control
17	KH-24-126-21	1		Bracket, Air Cleaner
18	KH-24-096-31	1	S	Cover, Air Cleaner
	KH-24-113-08	1		Decal, Horsepower
19	KH-25-341-02	1	S	Knob, Cover



Ref #	Part Number	Qty	S/P/F	Description
1	725-3174	1	S	Battery
2	725-3220	1		Cable, Positive Battery
3	725-3221	1		Cable, Negative Battery
4	710-3083	1	/P	Screw, Hex Cap, 5/16-18 X 1.38 Lg
5	736-0275	1	S	Washer, Flat, .34 X .68 X .062 Thk
6	703-1823	1	S	Hold Down, Battery
7	731-3105	1		Tray, Battery
8	759-3653	1		Cap, Battery Vent
	759-3654	1		Battery Vent
9	729-0207	1		Holder, Fuse
10	725-1381	1	S	Fuse, 20 Amp
11	729-0209	1		Clip, Fuse Holder Mtg
12	710-0473	2	/P	Screw, Truss Mach, #10-24 X .50 Lg
13	725-1375	1	S	Relay
14	725-3165	1	S	Indicator, Voltage
15	736-0722	2	S	Washer, Lock, #10
16	712-0121	2	S	Nut, Hex, #10-24
17	710-3175	1	/P	Screw, Hex Cap, M8-1.25 X 14 MM Lg
18	725-3218	1		Main Harness
	726-3049	2	S	Strap, Tie
19	725-3147	1		Lug, Quick Connect
20	712-3077	1	/P	Nut, Hex, M8-1.25 GR8.8
21	759-3675	1		Diode Assy (Located in upper connector block of main harness)

2084 S/N 836,000 - 864,500
Battery Tray & Bulkhead

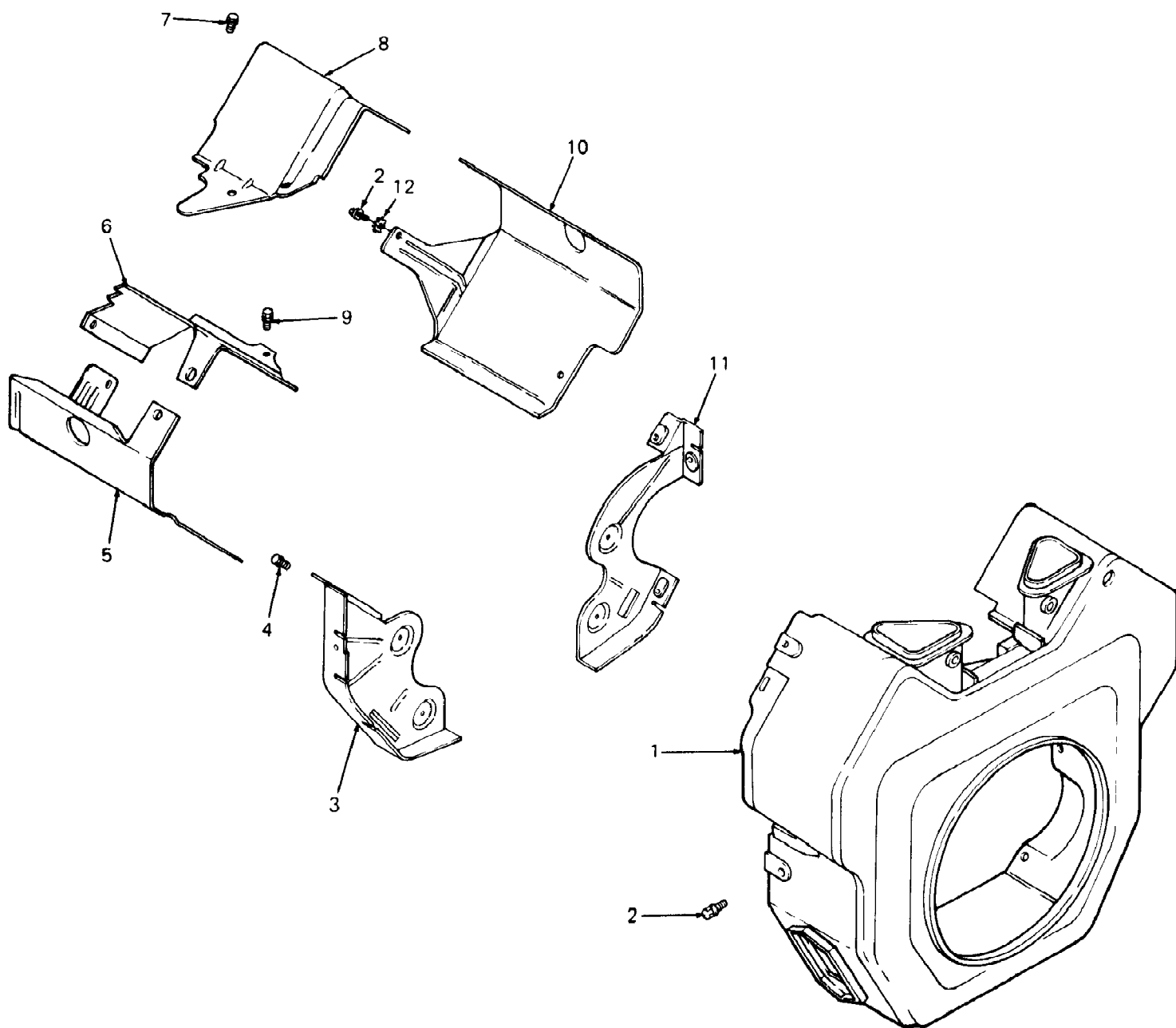


2084 S/N 836,000 - 864,500
Battery Tray & Bulkhead

Page 6 of 86

Ref #	Part Number	Qty	S/P/F	Description
1	703-2144	1		Bulkhead, Upper
2	703-2142	2		Bracket, Bulkhead
3	710-3039	2	/P	Screw, Hex Cap, 5/16-18 X .50 Lg GR5
4	736-0242	2	/P	Washer, Bell, .345 X .88 X .060 Thk
5		1		Seal, Bulkhead, 36" Lg (Order Part No. 723-3004, 56" Lg, & cut to fit)
6	710-3013	8	/P	Screw, Hex Cap, 1/4-20 X .50 Lg GR5
7	736-0329	4	S	Washer, Lock, 1/4
8	712-3006	4	/P	Nut, Hex, 1/4-20 GR5
9	703-2143	1		Bulkhead, Lower
10		2		Seal, Bulkhead, 10" Lg (Order Part No. 723-3060, 17" Lg, & cut to fit)
11	723-3042	2	/P	Bushing, Snap, 7/8 ID
12	703-1827	1	S	Tray Assy, Battery
13	710-3012	1		Bolt, J-Type, 1/4-20
14	710-0751	3	/P	Screw, Hex Cap, 1/4-20 X .62 Lg GR5
15	723-3062	1		Ring, Foam Sealing
16	736-0270	8	/P	Washer, Bell, .265 X .75 X .062 Thk
17	712-3051	8	/P	Nut, Hex Top Lock, 1/4-20

2084 S/N 836,000 - 864,500
Blower Housing and Baffles



2084 S/N 836,000 - 864,500
Blower Housing and Baffles

Ref #	Part Number	Qty	S/P/F	Description
1	KH-24-027-04	1	S	Housing, Blower
2	KH-M-0549016	8	S	Screw, M5 X 0.8 X 16
3	KH-24-146-02	1	S	Plate, Backing #2
4	KH-SM-0645016	4	S	Screw, M6 X 1.0 X 16
5	KH-24-063-07	1	S	Baffle, Cylinder Barrel #2
6	KH-24-063-02	1	S	Baffle, Valley, #2
7	KH-M-0549010	2	S	Screw, M5 X 0.8 X 10
8	KH-24-063-59-S	1		Baffle, Valley #1
9	KH-M-0649016	2		Screw, M6 X 1.0 X 16
10	KH-24-063-08	1	S	Baffle, Cylinder Barrel #1
11	KH-24-146-01	1	S	Plate, Backing #1
12	KH-X-22-12	1		Washer, I.T./E.T., 1/4