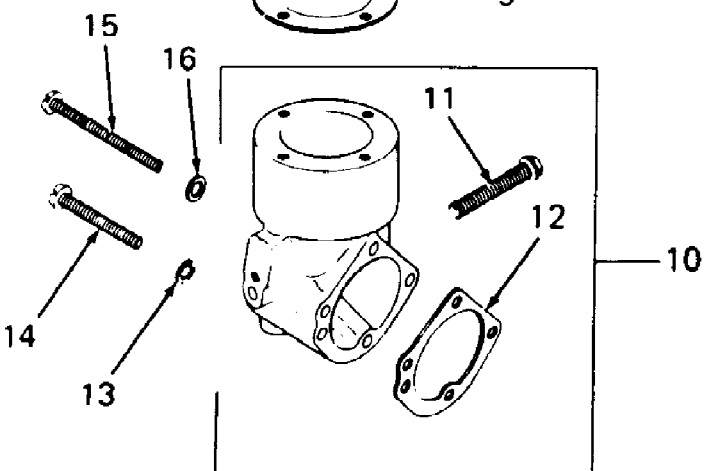
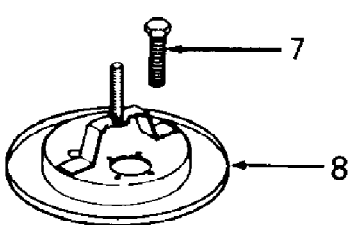
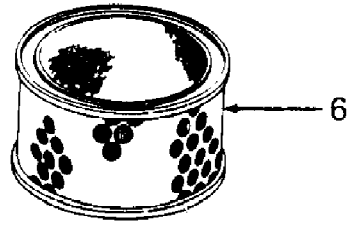
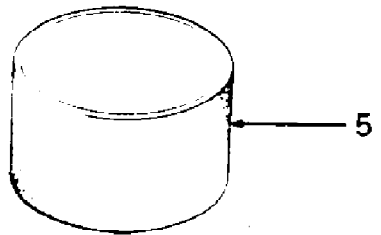
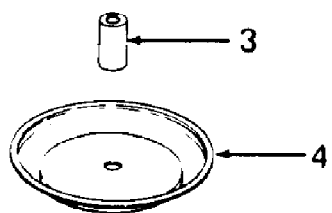
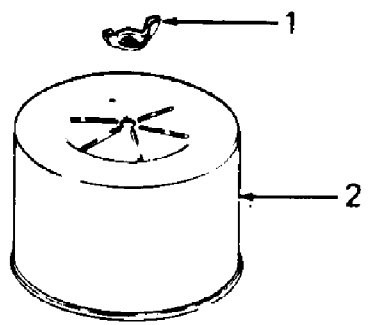


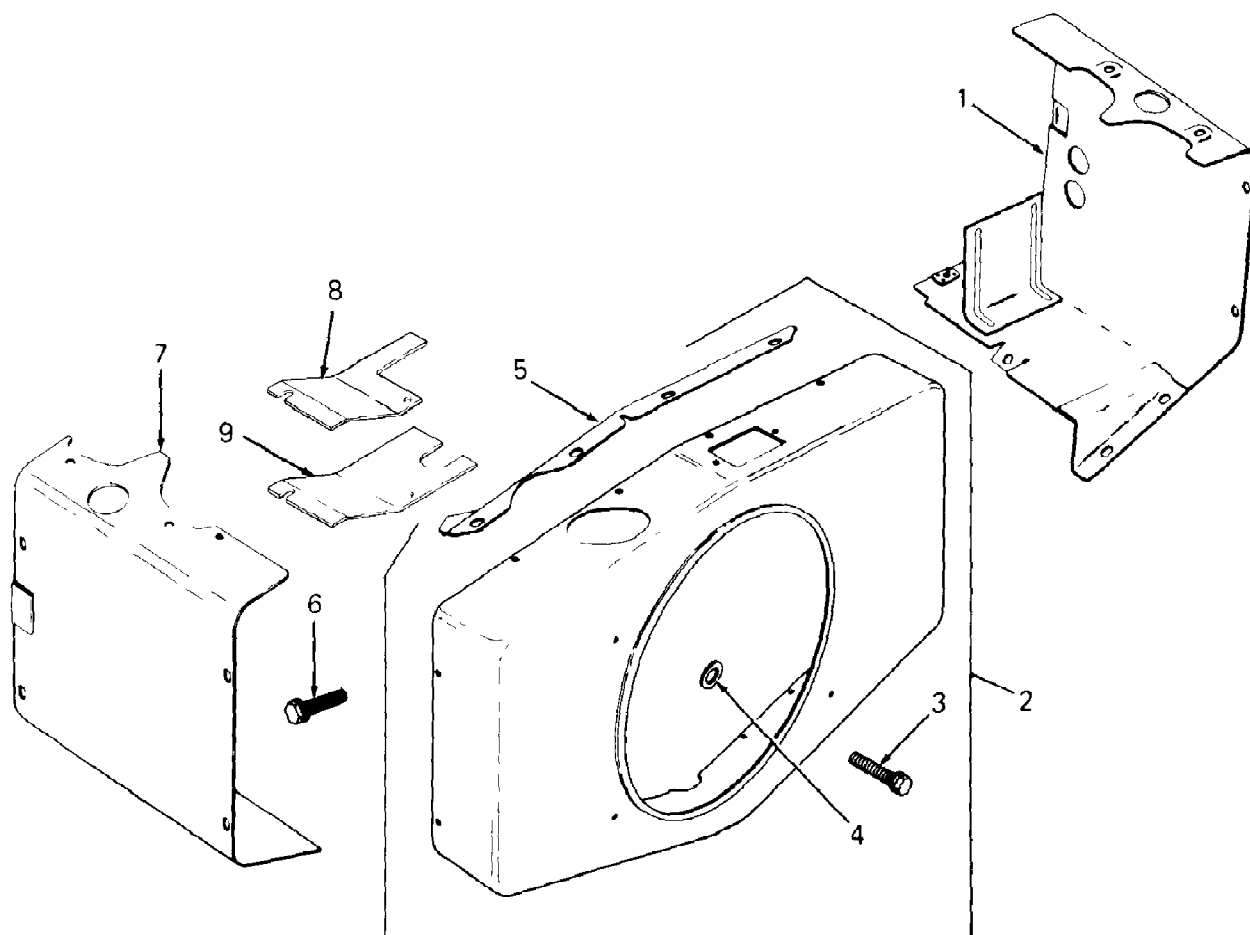
Air Intake



1882 S/N 800,000 - 821,059
Air Intake

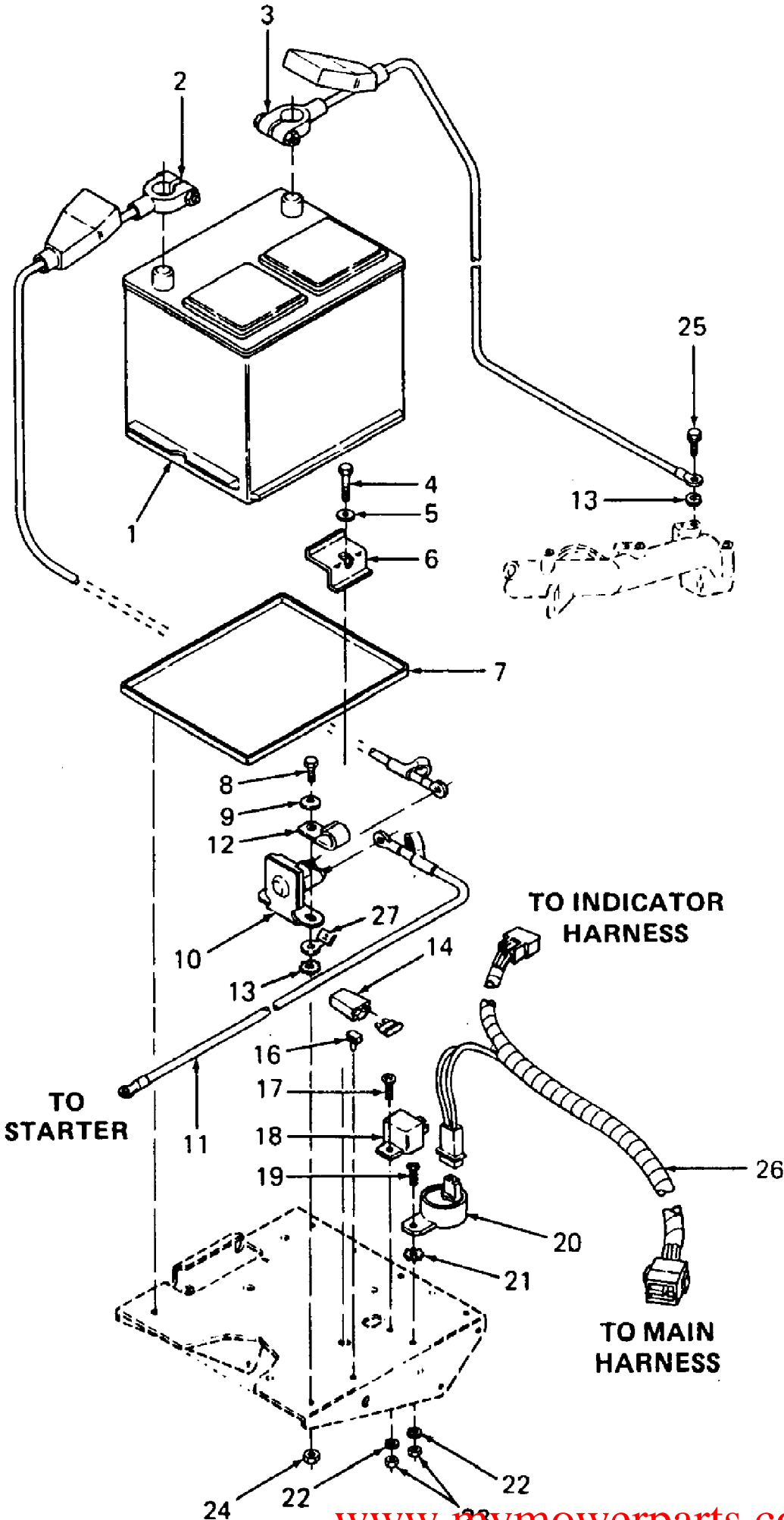
Ref #	Part Number	Qty	S/P/F	Description
1	KH-X-276-7	1	S	Nut, Wing, 1/4-20
2	KH-45-082-01	1	/P	Cover, Air Cleaner
3	KH-231032	1	/P	Seal, Element Cover
4	KH-52-082-04	1	/P	Cover, Air Cleaner Element
5	KH-45-083-01	1	S	Precleaner
6	759-3359	1	S	Element
7	KH-X-67-98	4	S	Screw, Slted Hex Wash Hd, #10-32 X .56 Lg
8	KH-52-094-06	1	/P	Base, Air Cleaner
9	KH-277093	1	/P	Gasket, Air Cleaner
10	KH-52-754-01	1	/P	Kit, Elbow (Includes Ref No. 11 & 12)
11	KH-52-086-11	1		Screw, Hex Cap, 1/4-20 X .62 Lg
12	KH-25-041-06	1	/P	Gasket, Air Intake Elbow
13	KH-X-22-9	2		Washer, I.T. #10
14	KH-X-50-57	2	S	Screw, Slted Pan Hd, #10-32 X 1.5 Lg
15	KH-X-50-37	1	/P	Screw, Slted Pan Hd, #10-32 X 2.25 Lg
16	KH-X-25-79	1		Washer, Plain, #10
	KH-25-113-07	1		Decal, Air Cleaner Instruction

1882 S/N 800,000 - 821,059
Baffles & Shroud



1882 S/N 800,000 - 821,059
 Baffles & Shroud

Ref #	Part Number	Qty	S/P/F	Description
1	KH-52-063-18	1	S	Baffle, #1 Cylinder Head
2	KH-52-755-71	1	S	Kit, Blower Housing [Includes 3, (Qty 2) 4 (Qty 2) & 5]
3	KH-52-086-11	2		Screw, Self Tap, 1/4-20 X 5/8
4	KH-52-468-16	2		Washer, Flat, 1/4
5	KH-52-217-01	1		Support, Upper Housing
6	KH-X-67-83	19	S	Screw, Hex Wash Hd, 1/4-20 X 7/16
7	KH-52-124-02	1	S	Baffle, #2 Cylinder Head
8	KH-52-063-01	1	S	Baffle, #2 Cylinder Top
9	KH-52-063-39	1		Baffle, Pump Used on Tractors w/Serial No. 811,501 & above)
	KH-52-113-32	2	S	Decal, HP

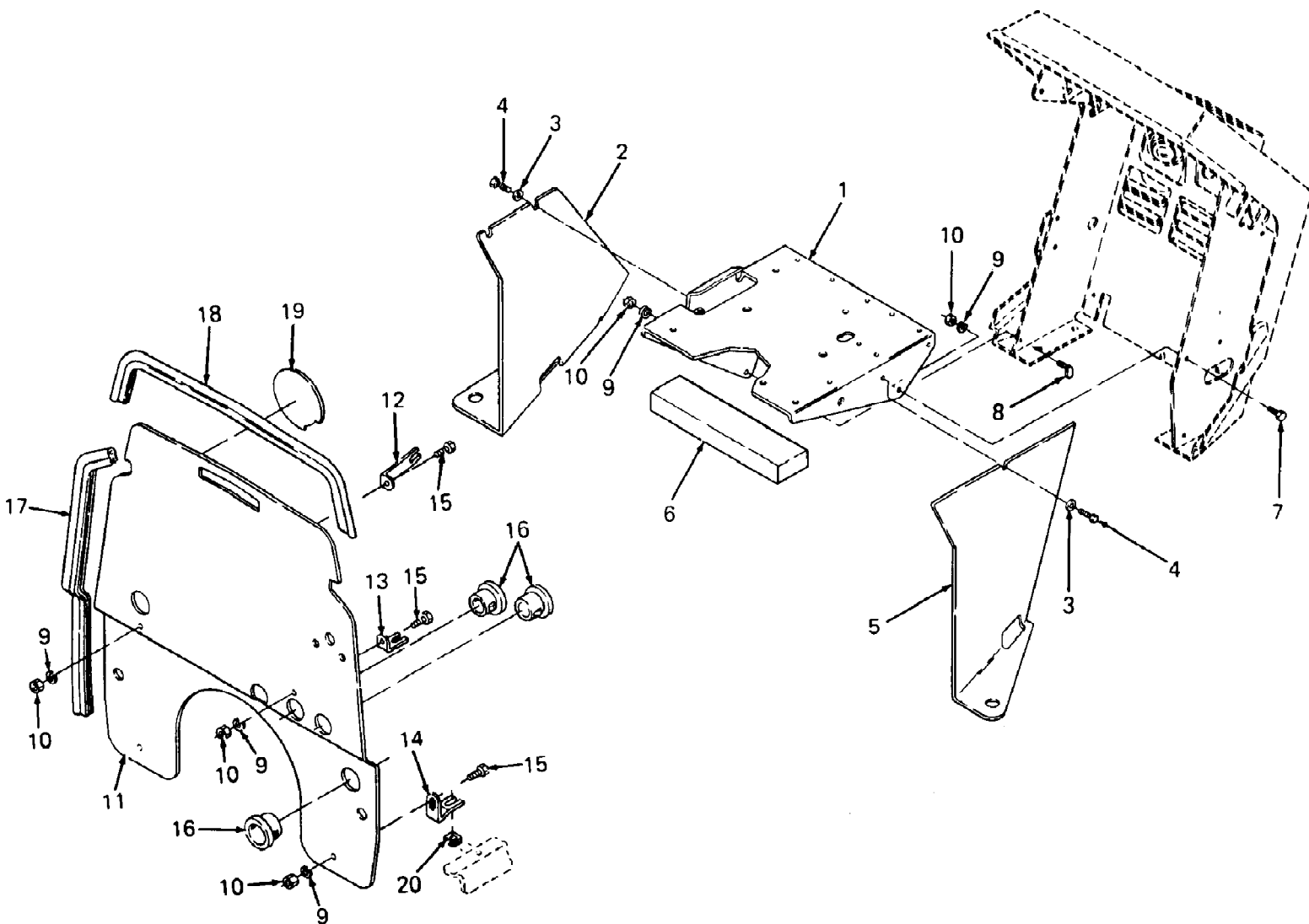


1882 S/N 800,000 - 821,059
Battery & Electrical Components

Page 6 of 102

Ref #	Part Number	Qty	S/P/F	Description
1	725-3174	1	S	Battery
2	725-3196	1	/P	Cable, Positive Battery
3	725-3193	1		Cable, Negative Battery
4	710-3083	1	/P	Screw, Hex Cap, 5/16-18 X 1.38 Lg
5	736-0275	1	S	Washer, Flat, .34 X .68 X .062 Thk
6	703-1823	1	S	Hold Down, Battery
7	731-3105	1		Tray, Battery
8	710-0751	2	/P	Screw, Hex Cap, 1/4-20 X .62 Lg GR5
9	736-0270	2	/P	Washer, Bell, .265 X .75 X .062 Thk
10	725-1426	1	S	Solenoid
	736-0119	2	S	Washer, Lock, 5/16
	712-3010	2	S	Nut, Hex, 5/16-18 GR5
11	725-3206	1	S	Cable, Starter
12	726-3008	1	/P	Clip, Cable
13	736-3006	2	/P	Washer, Int-Ext, 1/4
14	729-0207	1		Holder, Fuse
	725-1381	1	S	Fuse, 20 Amp
16	729-0209	1		Clip, Fuse Holder Mtg
17	710-0473	1	/P	Screw, Truss Mach, #10-24 X .50 Lg
18	725-1375	1	S	Relay
19	710-0473	1	/P	Screw, Truss Mach, #10-24 X .50 Lg
20	725-3165	1	S	Indicator, Voltage
21	736-0147	1	S	Washer, External, #10
22	736-0722	2	S	Washer, Lock, #10
23	712-0121	2	S	Nut, Hex, #10-24
24	712-0291	2	S	Nut, Hex Center Lock, 1/4-20
25	710-0653	1	/P	Screw, Hex Wash Hd Tapp, 1/4-20 X .38 Lg
26	725-3204	1		Battery Harness
	726-3020	2		Strap, Tie
27	725-3147	1		Lug, Quick Connect

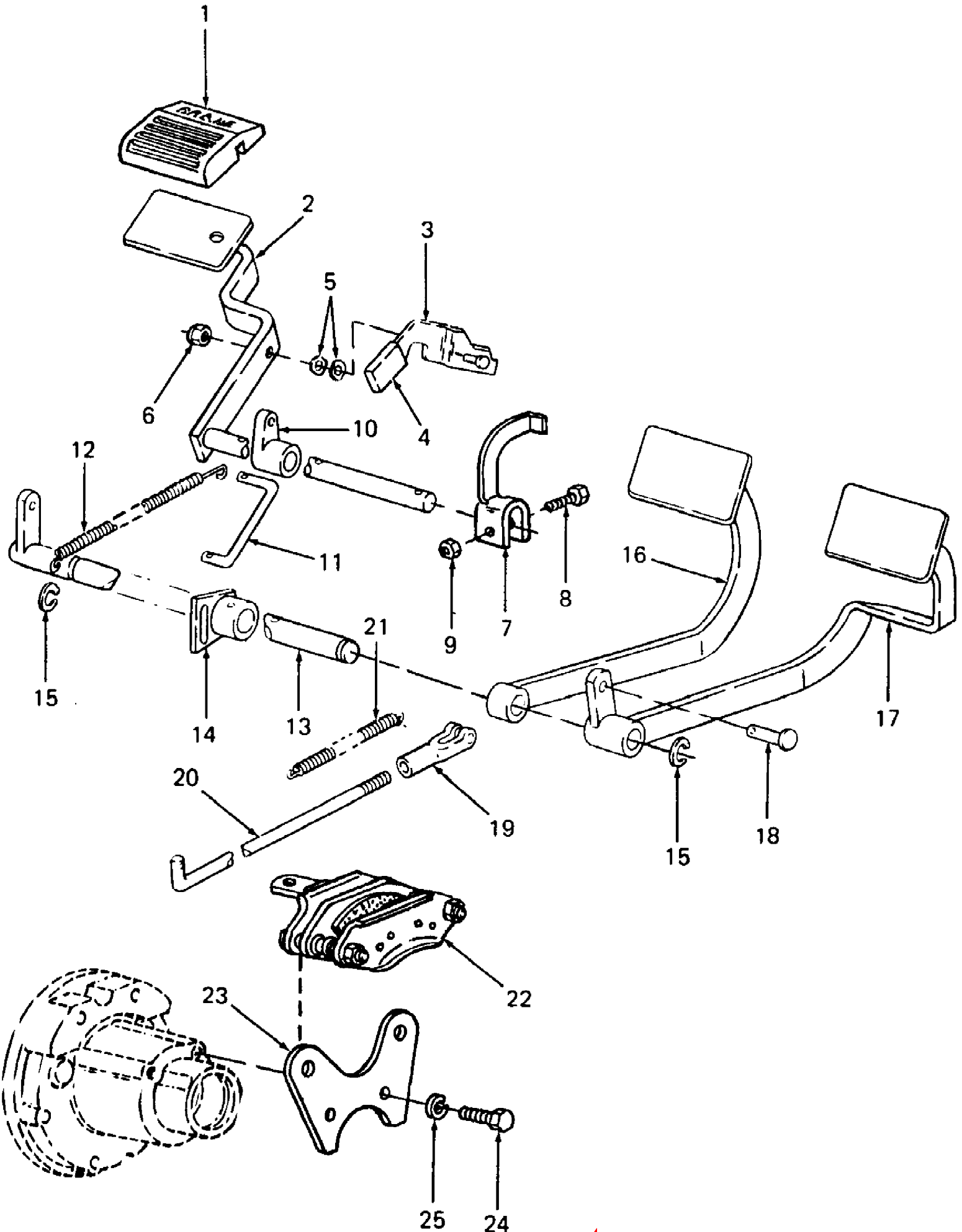
1882 S/N 800,000 - 821,059
Battery Tray & Heat Baffle



1882 S/N 800,000 - 821,059
Battery Tray & Heat Baffle

Page 8 of 102

Ref #	Part Number	Qty	S/P/F	Description
1	703-1827	1	S	Tray Assy, Battery
2	703-1880	1		Baffle, Intake - RH (Used on Tractors w/Serial No. 811,500 & below)
3	736-0105	5	/P	Washer, Bell, .380 X .88 X .060 Thk
4	710-0376	5	/P	Screw, Hex Cap, 5/16-18 X 1.0 Lg GR5
5	703-1879	1		Baffle, Intake - LH (Used on Tractors w/Serial No. 811,500 & below)
6	723-3058	1		Strip, Foam Gasket Sealing, 10.31 in. Lg (Used on Tractors w/Serial No. 811,500 & below)
7	710-0751	3	/P	Screw, Hex Cap, 1/4-20 X .62 Lg GR5
8	710-3012	1		Bolt, J-Type, 1/4-20
9	736-0329	8	S	Washer, Lock, 1/4
10	712-3006	9	/P	Nut, Hex, 1/4-20 GR5
11	703-2056	1		Baffle, Heat
12	703-1997	1	S	L-Bracket, 1.9 Lg
13	703-1998	1	/P	L-Bracket, 1.1 Lg
14	703-2057	2	S	L-Bracket
15	710-3013	4	/P	Screw, Hex Cap, 1/4-20 X .5 GR5
16	723-3042	3	/P	Bushing, Snap, 7/8 ID
17	723-3059	2	/P	Seal, Heat Baffle, 19" Lg
18	723-3060	1		Seal, Heat Baffle, 17" Lg
19	735-3040	1		Insulator, "+" Battery Post
20	726-0211	2	S	Nut, U-Type, 5/16-18



Brakes & Connections

Ref #	Part Number	Qty	S/P/F	Description
1	724-3004	1	S	Pad, Brake Pedal
2	703-0848	1		Pedal Assy, Brake
	715-0114	1	S	Pin, Spiral Spring, 1/4 Dia X 1.50 Lg
3	703-1393	1		Bracket, Parking Brake
4	720-3019	1	S	Grip, Parking Brake
5	736-3001	2	/P	Washer, Wave, 1/4 Dia
6	712-0324	1	/P	Nut, Hex Insert Lock, 1/4-20
7	703-1956	1		Bracket, Start Switch
8	710-0106	1	/P	Screw, Hex Cap, 1/4-20 X 1.25 Lg
9	712-0291	1	S	Nut, Hex Center Lock, 1/4-20
10	748-3006	1	S	Lever, Brake
	715-0114	1	S	Pin, Spiral Spring, 1/4 Dia X 1.50 Lg
11	747-3023	1	/P	Rod, Center Brake
	714-0507	2	S	Pin, Cotter, 3/32 Dia X .75 Lg
	736-0185	2	S	Washer, Flat, .406 X .75 X .063 Thk
12	732-3010	1	S	Spring, Extension, .50 OD X 7.32 Lg
13	703-0223	1		Shaft Assy, Brake
14	703-0225	1	S	Arm Assy, Parking Brake Plate
	715-0114	1	S	Pin, Spiral Spring, 1/4 Dia X 1.50 Lg
15	716-3001	2	S	Ring, Retaining
16	703-0412	1		Pedal Assy, LH - Brake
	715-3000	1	S	Pin, Spiral Spring, 1/4 Dia X 1.38 Lg
17	703-0416	1		Pedal Assy, RH - Brake
	737-3000	1	S	Fitting, Lube, 3/16 Drive Type
18	711-3037	2	S	Pin, Clevis, 3/8 Dia X 1.56 Lg
	736-0185	2	S	Washer, Flat, .406 X .75 X .063 Thk
	714-0507	2	S	Pin, Cotter, 3/32 Dia X .75 Lg
19	719-3013	2	/P	Clevis, Adjustment
20	747-3022	2	/P	Rod, Brake
	712-3001	2	S	Nut, Hex Jam, 3/8-24 GR5
	736-0185	2	S	Washer, Flat, .406 X .75 X .063 Thk
	714-0474	2	S	Pin, Cotter, 1/8 Dia X .75 Lg
21	732-3026	2		Spring, Extension, .66 OD X 3.3 Lg
22	759-3423	2		Kit, Brake Caliper
23	703-1787	2		Bracket, Brake Mounting
24	710-0376	4	/P	Screw, Hex Cap, 5/16-18 X 1.0 Lg GR5
25	736-0119	4	S	Washer, Lock, 5/16