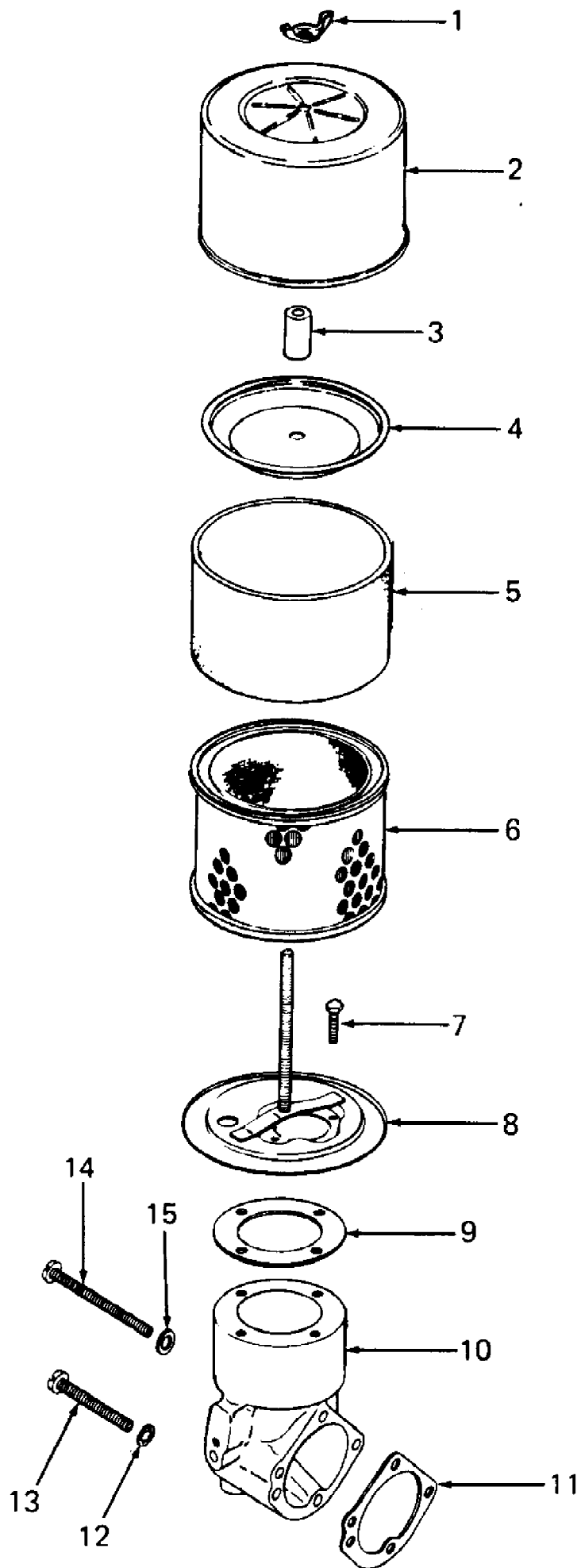


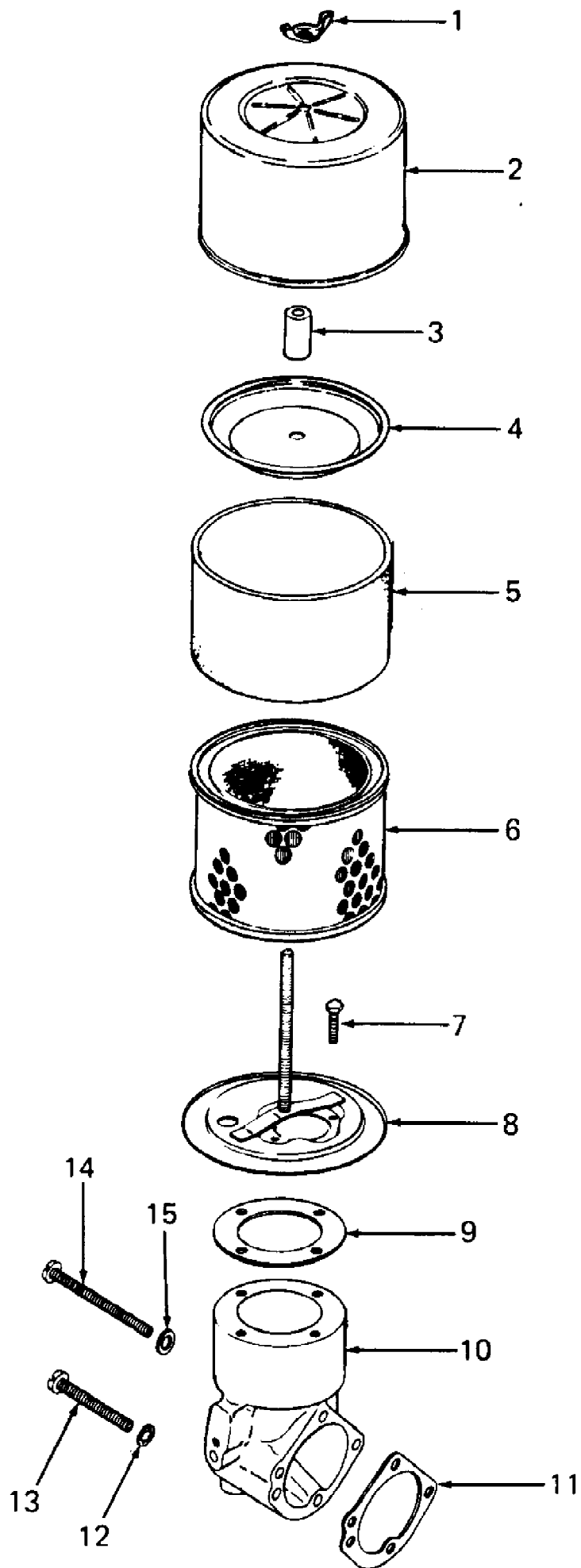
Air Intake (Model 1872)



1872 & 2072 S/N 756,300 - 799,999  
 Air Intake (Model 1872)

Ref #	Part Number	Qty	S/P/F	Description
1	KH-X-276-7	1	S	Nut, Wing, 1/4-20
2	KH-45-082-01	1	/P	Cover, Air Cleaner
3	KH-231032	1	/P	Seal, Element Cover
4	KH-52-082-04	1	/P	Cover, Air Cleaner Element
5	KH-45-083-01	1	S	Precleaner
6	759-3359	1	S	Element
7	KH-X-67-98	4	S	Screw, Slted Hex Wash Hd, #10-32 X 9/16 Lg
8	KH-52-094-06	1	/P	Base, Air Cleaner
9	KH-277093	1	/P	Gasket, Air Cleaner
10	KH-52-054-15	1	S	Elbow, Air Intake
11	KH-277069	1	S	Gasket, Air Intake Elbow
12	KH-X-22-9	2		Washer, I.T. #10
13	KH-X-50-57	2	S	Screw, Slted Pan Hd, #10-32 X 1.5 Lg
14	KH-X-50-37	1	/P	Screw, Slted Pan Hd, #10-32 X 2.25 Lg
15	KH-X-25-79	1		Washer, Plain, #10
	KH-25-113-01	1		Decal, Air Cleaner Instruction

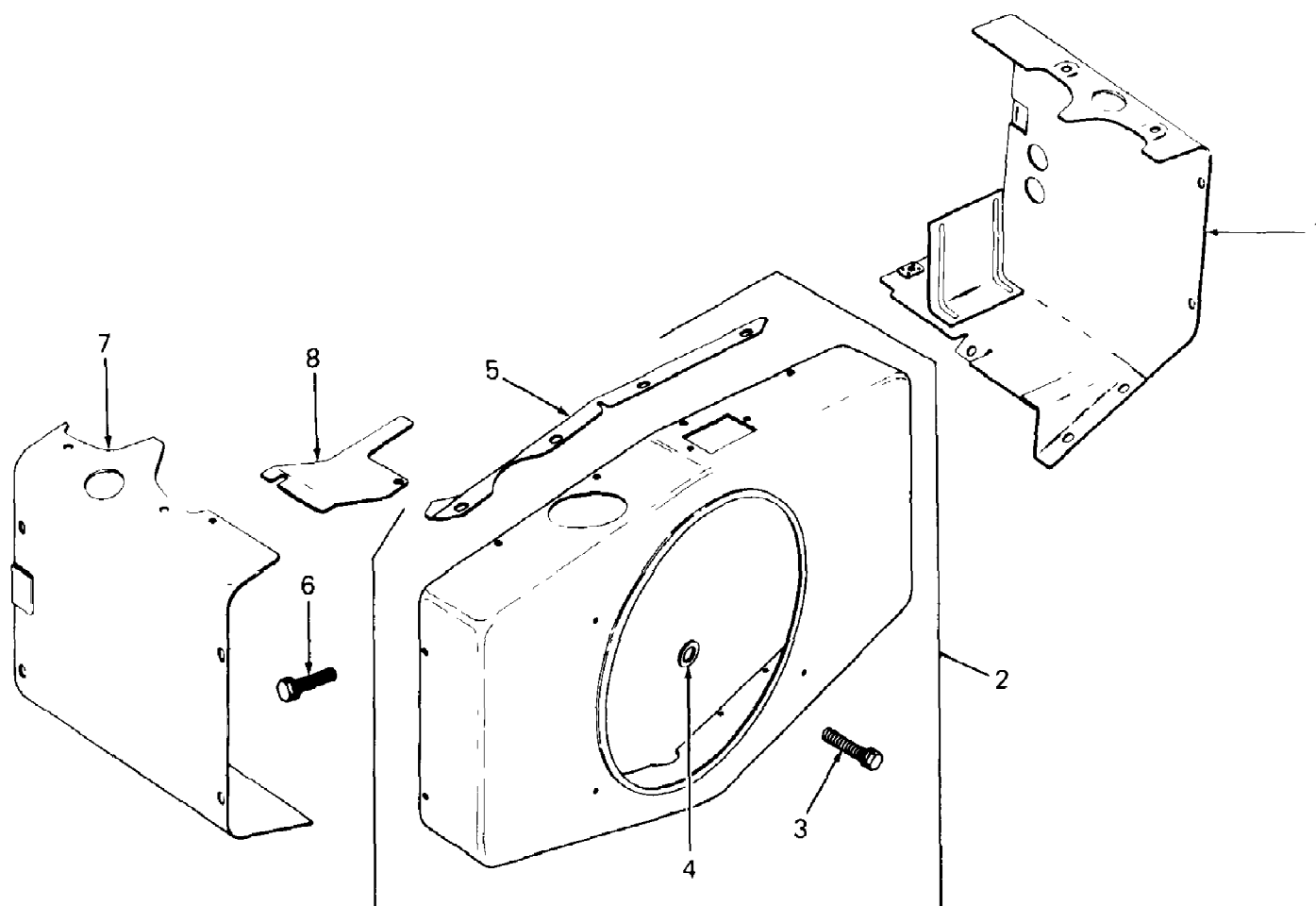
1872 & 2072 S/N 756,300 - 799,999  
Air Intake (Model 2072)



1872 & 2072 S/N 756,300 - 799,999  
 Air Intake (Model 2072)

Ref #	Part Number	Qty	S/P/F	Description
1	KH-X-276-7	1	S	Nut, Wing, 1/4-20
2	KH-45-082-01	1	/P	Cover, Air Cleaner
3	KH-231032	1	/P	Seal, Element Cover
4	KH-52-082-04	1	/P	Cover, Air Cleaner Element
5	KH-45-083-01	1	S	Precleaner
6	759-3359	1	S	Element
7	KH-X-67-98	4	S	Screw, Slted Hex Wash Hd, #10-32 X 9/16 Lg
8	KH-52-094-06	1	/P	Base, Air Cleaner
9	KH-277093	1	/P	Gasket, Air Cleaner
10	KH-52-054-15	1	S	Elbow, Air Intake
11	KH-277069	1	S	Gasket, Air Intake Elbow
12	KH-X-22-9	2		Washer, I.T. #10
13	KH-X-50-57	2	S	Screw, Slted Pan Hd, #10-32 X 1.5 Lg
14	KH-X-50-37	1	/P	Screw, Slted Pan Hd, #10-32 X 2.25 Lg
15	KH-X-25-79	1		Washer, Plain, #10
	KH-25-113-01	1		Decal, Air Cleaner Instruction

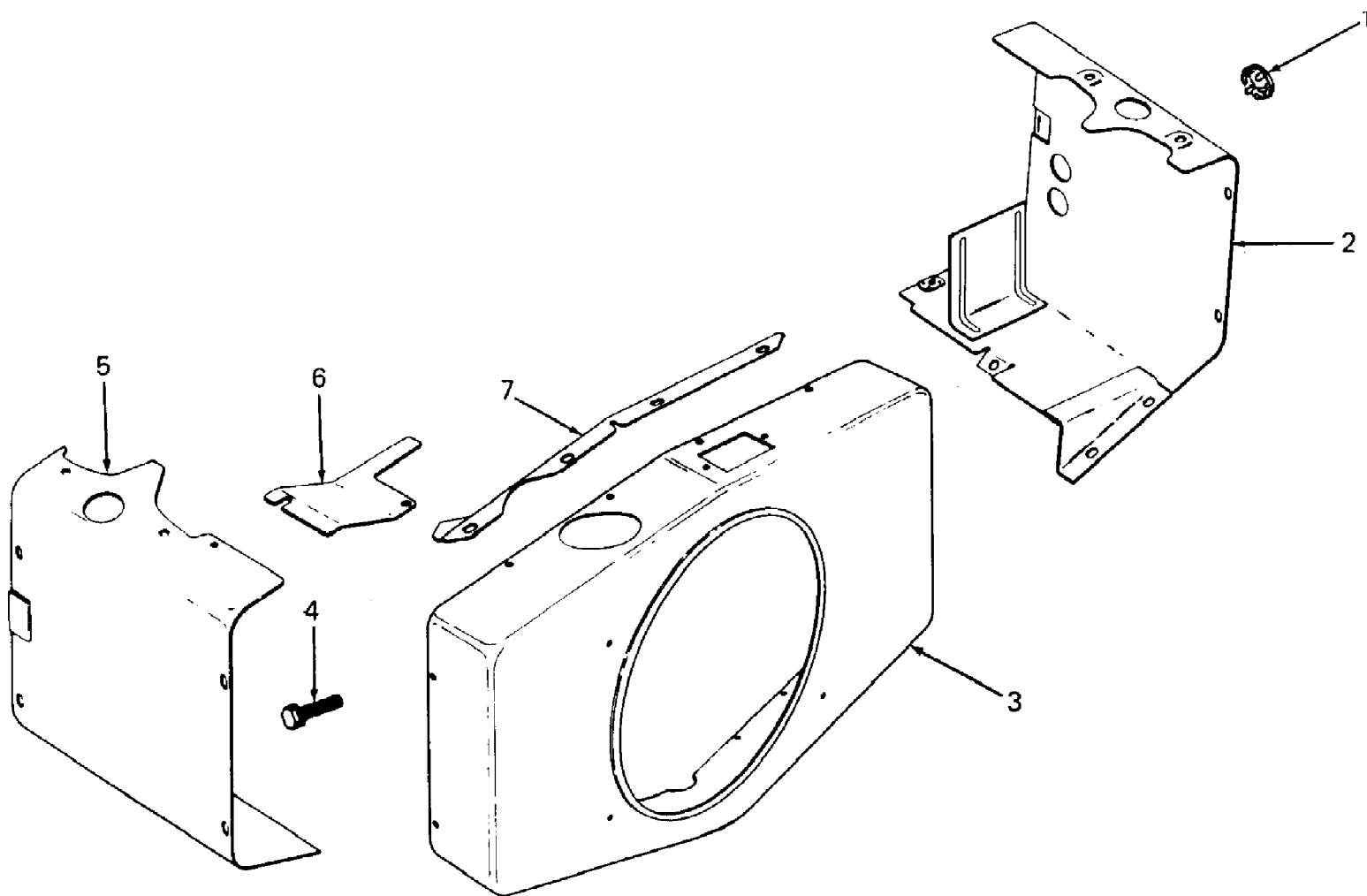
1872 & 2072 S/N 756,300 - 799,999  
Baffles & Shroud (Model 1872)



1872 & 2072 S/N 756,300 - 799,999  
Baffles & Shroud (Model 1872)

Ref #	Part Number	Qty	S/P/F	Description
1	KH-52-063-18	1	S	Baffle, #1 Cylinder Head
2	KH-52-755-71	1	S	Kit, Blower Housing (Includes 3, 4 & 5)
3	KH-52-086-11	2		Screw, Self Tap, 1/4-20 X 5/8
4	KH-52-468-16	2		Washer, Flat, 1/4
5	KH-52-217-01	1		Support, Upper Housing
6	KH-X-67-83	19	S	Screw, Hex Wash Hd, 1/4-20 X 7/16
7	KH-52-063-21	1	S	Baffle, #2 Cylinder Head
8	KH-52-063-01	1	S	Baffle, #2 Cylinder Top

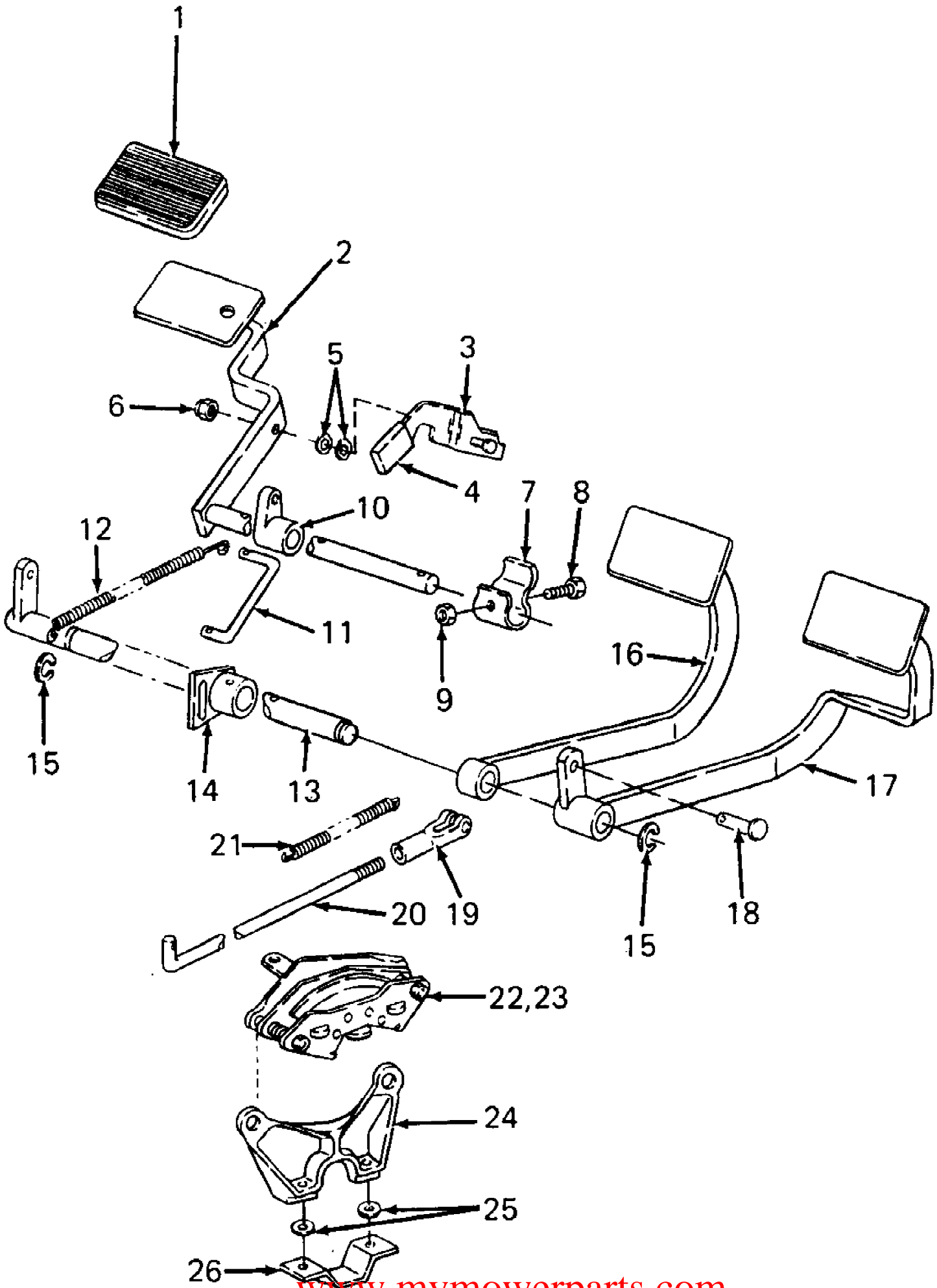
1872 & 2072 S/N 756,300 - 799,999  
Baffles & Shroud (Model 2072)



1872 & 2072 S/N 756,300 - 799,999  
Baffles & Shroud (Model 2072)

Ref #	Part Number	Qty	S/P/F	Description
1	KH-X-301-8	1		Plug, Button
2	KH-52-063-28	1		Baffle, #1 Cylinder Head
3	KH-52-027-26	1	S	Blower Housing
4	KH-X-67-83	24	S	Screw, Hex Wash Hd, 1/4-20 X 7/16
5	KH-52-063-25	1		Baffle, #2 Cylinder Head
6	KH-52-063-01	1	S	Baffle, #2 Cylinder Top
7	KH-52-217-01	1		Support, Upper Housing





## Brakes &amp; Connections

Ref #	Part Number	Qty	S/P/F	Description
1	724-3000	3	S	Pad, Pedal
2	703-0848	1		Pedal Assy, Brake
	715-0114	1	S	Pin, Spiral Spring, 1/4 Dia X 1.50 Lg
3	703-1393	1		Bracket, Parking Brake
4	720-3019	1	S	Grip, Parking Brake
5	736-3001	2	/P	Washer, Wave, 1/4 Dia
6	712-0324	1	/P	Nut, Hex Insert Lock, 1/4-20
7	732-3039A	1		Spring, Switch Operating
	715-0114	1	S	Pin, Spiral Spring, 1/4 Dia X 1.50 Lg
	726-3000	1	/P	Nut, Speed
8	710-3015	1	/P	Screw, Hex Cap, 1/4-20 X .75 Lg GR5
9	712-0291	1	S	Nut, Hex Center Lock, 1/4-20
10	748-3006	1	S	Lever, Brake
	715-0114	1	S	Pin, Spiral Spring, 1/4 Dia X 1.50 Lg
11	747-3023	1	/P	Rod, Center Brake
	714-0507	2	S	Pin, Cotter, 3/32 Dia X .75 Lg
	736-0185	2	S	Washer, Flat, .406 X .75 X .063 Thk
12	732-3010	1	S	Spring, Extension, .50 OD X 7.32 Lg
13	703-0223	1		Shaft Assy, Brake
14	703-0225	1	S	Arm Assy, Parking Brake Plate
	715-0114	1	S	Pin, Spiral Spring, 1/4 Dia X 1.50 Lg
15	716-3001	2	S	Ring, Retaining
16	703-0412	1		Pedal Assy, LH - Brake
	715-3000	1	S	Pin, Spiral Spring, 1/4 Dia X 1.38 Lg
17	703-0416	1		Pedal Assy, RH - Brake
	737-3000	1	S	Fitting, Lube, 3/16 Drive Type
18	711-3037	2	S	Pin, Clevis, 3/8 Dia X 1.56 Lg
	736-0185	2	S	Washer, Flat, .406 X .75 X .063 Thk
	714-0507	2	S	Pin, Cotter, 3/32 Dia X .75 Lg
19	719-3013	2	/P	Clevis, Adjustment
20	747-3022	2	/P	Rod, Brake
	712-3001	2	S	Nut, Hex Jam, 3/8-24 GR5
	736-0185	2	S	Washer, Flat, .406 X .75 X .063 Thk
	714-0474	2	S	Pin, Cotter, 1/8 Dia X .75 Lg
21	732-3026	2		Spring, Extension, .66 OD X 3.3 Lg
22	759-3423	1	F	Brake Kit, LH - Caliper
23	759-3424	1		Brake Kit, RH - Caliper
24	719-3061	2		Bracket, Brake Mounting
25	736-3010	4	/P	Washer, Flat, .406 X .812 X .134 Thk
26	703-0222	2		Bracket, Caliper Flange Mounting
	710-3125	4		Bolt, Hex Patch Lock, 3/8-16 X 1.25 Lg GR8