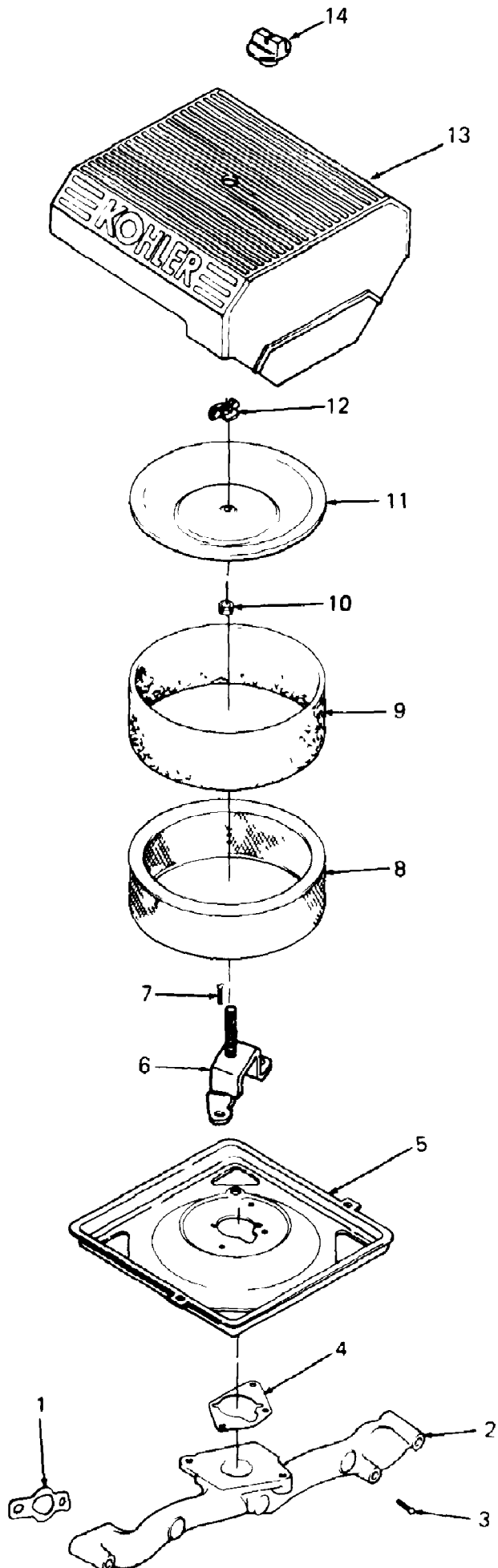
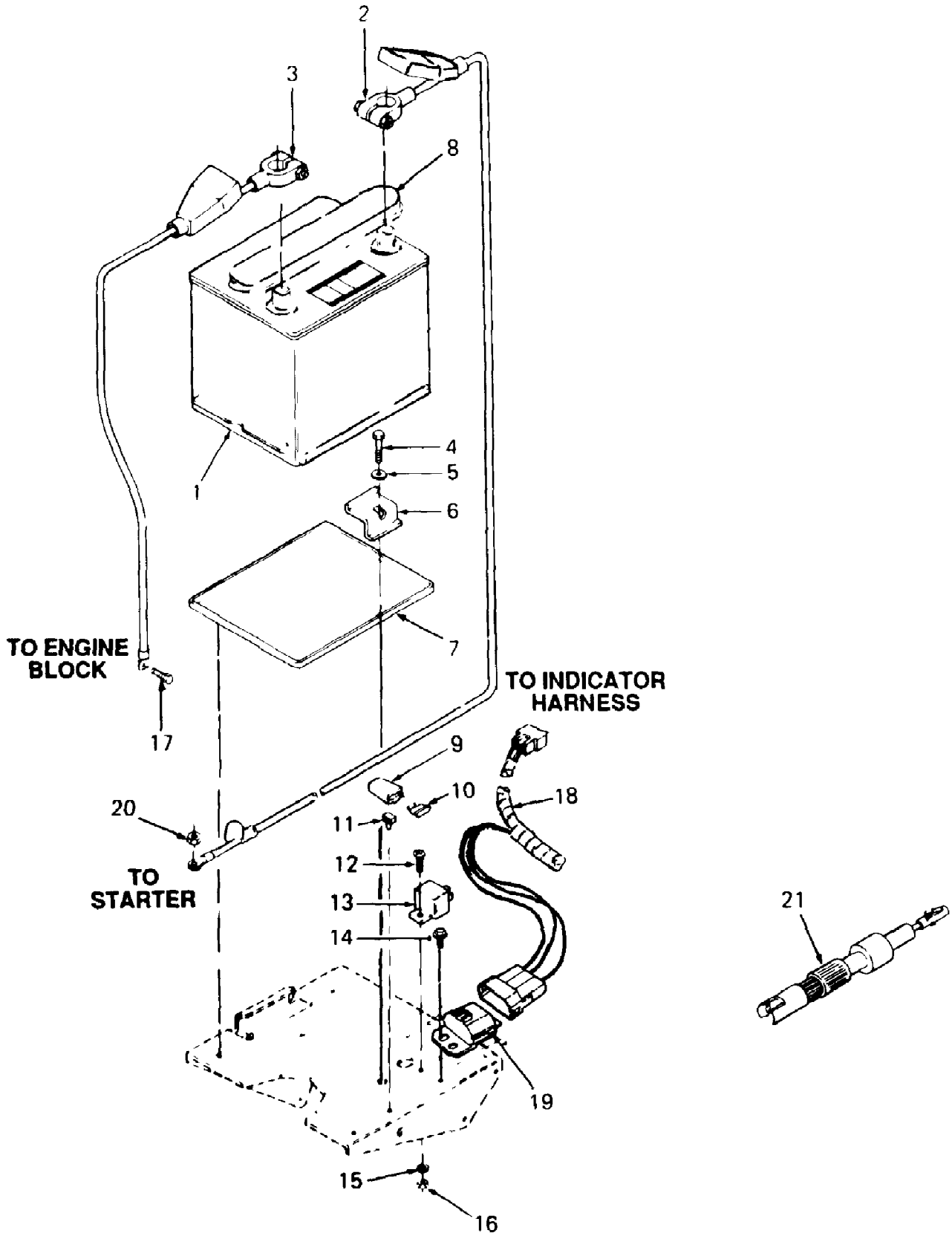


Air Intake/Filtration



1864 S/N 880,001 - 899,000  
Air Intake/Filtration

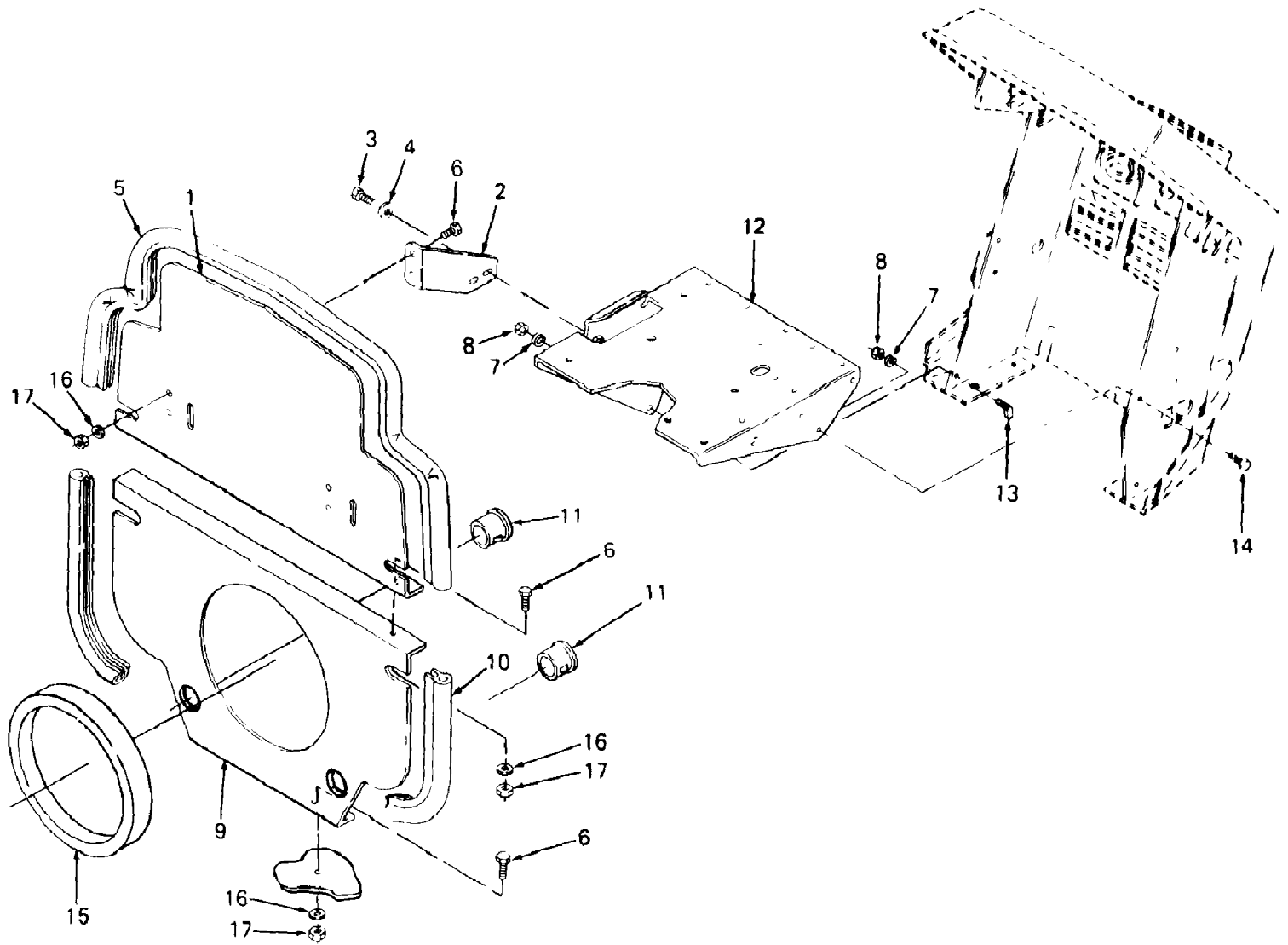
Ref #	Part Number	Qty	S/P/F	Description
1	KH-24-041-01	2	/P	Gasket, Intake Manifold
2	KH-24-164-01	1	S	Manifold, Intake
3	KH-M-0639055	4	S	Screw, M6 x 1.0 x 18
4	KH-24-041-06	1	/P	Gasket, Air Cleaner Base
5	KH-24-094-03	1	S	Base, Air Cleaner
6	KH-24-126-21	1		Bracket, Air Cleaner
7	KH-M-0651016	3	S	Screw, M6 x 1.0 x 10
8	KH-47-083-03	1	S	Element, Air Cleaner
9	KH-24-083-02	1	S	Element, Pre-Cleaner
10	KH-24-032-03	1	/P	Seal, Air Intake
11	KH-24-096-01	1	/P	Cover, Inner Air Cleaner
12	KH-12-100-01	1	/P	Nut, Wing
13	KH-24-096-31	1	S	Cover, Air Cleaner
	KH-24-113-07	1		Decal, Horsepower
14	KH-25-341-02	1	S	Knob, Cover



1864 S/N 880,001 - 899,000  
Battery And Electrical Components

Page 4 of 91

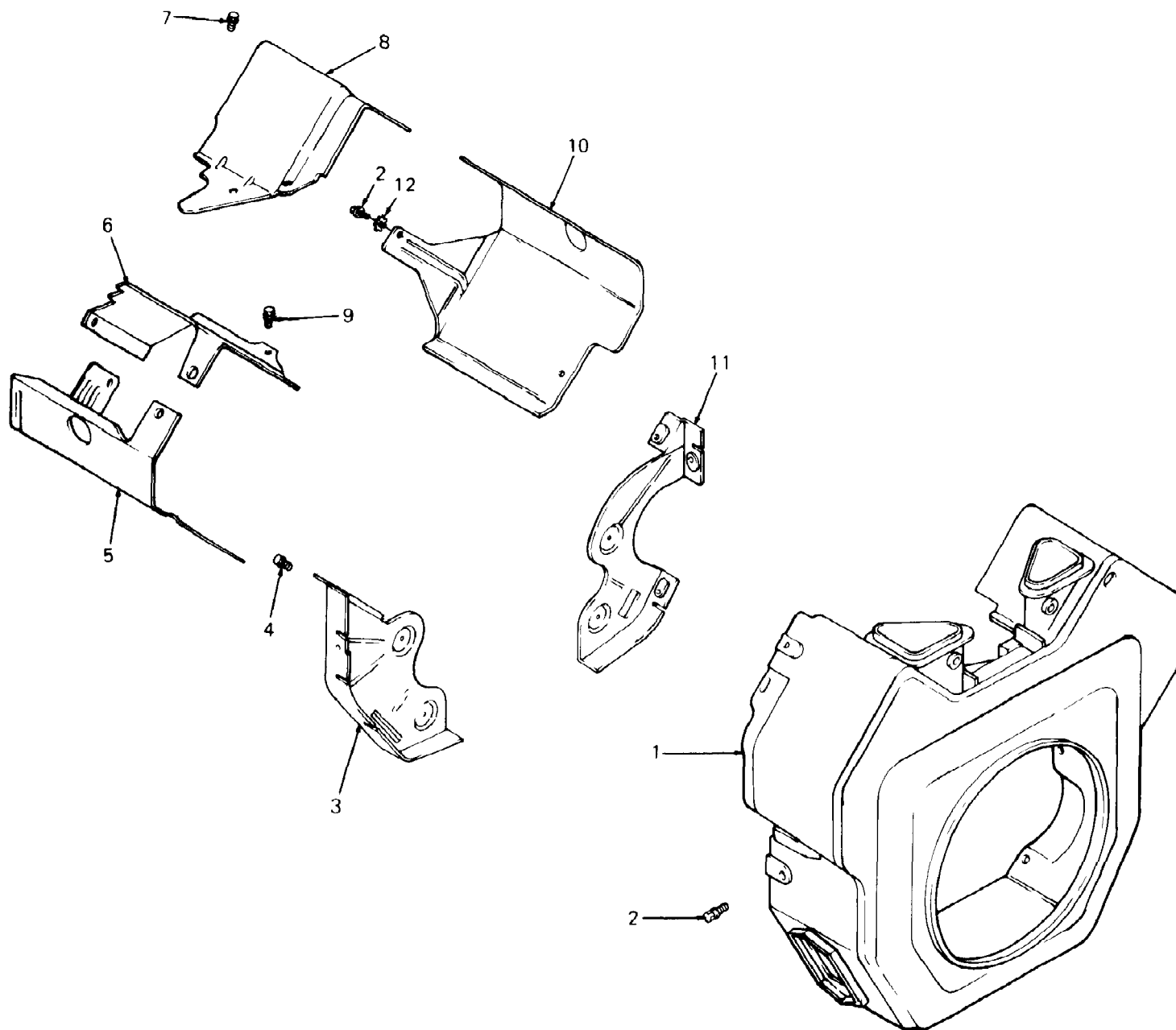
Ref #	Part Number	Qty	S/P/F	Description
1	725-3174	1	S	Battery
2	725-3220	1		Cable, Positive Battery
3	725-3221	1		Cable, Negative Battery
4	710-3083	1	/P	Screw, Hex Cap, 5/16-18 x 1.38 Lg
5	736-0275	1	S	Washer, Flat, .34 x .68 x .062 Thk
6	703-1823	1	S	Hold Down, Battery
7	731-3105	1		Tray, Battery
8	759-3653	1		Cap, Battery Vent
	759-3654	1		Tube, Battery Vent
9	729-0207	1		Holder, Fuse
10	725-1381	1	S	Fuse, 20 Amp
11	729-0209	1		Clip, Fuse Holder Mtg
12	710-0473	1	/P	Screw, Truss Mach, #10-24 x .50 Lg
13	725-1375	1	S	Relay
14	710-0599	1	/P	Screw, Hex Wash Hd TT, 1/4-20 x .50 Lg
15	736-0722	1	S	Washer, Lock, #10
16	712-0121	1	S	Nut, Hex, #10-24
17	710-3175	1	/P	Screw, Hex Cap, M8-1.25 x 14 MM Lg
18		1		Main Harness (Refer to "Electrical" illustration and parts list.)
19	725-3251	1	S	Module, Voltage Sensor
20	712-3077	1	/P	Nut, Hex, M8-1.25 GR8.8
21	759-3675	1		Diode Assy (Located in upper connector block of main harness)



1864 S/N 880,001 - 899,000  
 Battery Tray And Bulkhead

Ref #	Part Number	Qty	S/P/F	Description
1	703-2144	1		Bulkhead, Upper
2	703-2142	2		Bracket, Bulkhead
3	710-3039	2	/P	Screw, Hex Cap, 5/16-18 x .50 Lg GR5
4	736-0242	2	/P	Washer, Bell, .345 x .88 x .060 Thk
5		1		Seal, Bulkhead, 36" Lg (Order Part No. 723-3004, 56" Lg, & cut to fit)
6	710-3013	8	/P	Screw, Hex Cap, 1/4-20 x .50 Lg GR5.
7	736-0329	4	S	Washer, Lock, 1/4
8	712-3006	4	/P	Nut, Hex, 1/4-20 GR5
9	703-2143	1		Bulkhead, Lower
10		2		Seal, Bulkhead, 10" Lg (Order Part No. 723-3060, 17" Lg, & cut to fit)
11	723-3042	2	/P	Bushing, Snap, 7/8 ID
12	703-1827	1	S	Tray Assy, Battery
13	710-3012	1		Bolt, J-Type, 1/4-20
14	710-0751	3	/P	Screw, Hex Cap, 1/4-20 x 62 Lg GR5
15	723-3062	1		Ring, Foam Sealing
16	736-0270	8	/P	Washer, Bell, .265 x .75 x .062 Thk
17	712-3051	8	/P	Nut, Hex Top Lock, 1/4-20
	723-3004	1	/P	Seal - Heat Baffle 56"
	723-3060	1		Seal - Heat Baffle 17"

1864 S/N 880,001 - 899,000  
Blower Housing And Baffles



1864 S/N 880,001 - 899,000  
Blower Housing And Baffles

Ref #	Part Number	Qty	S/P/F	Description
1	KH-24-027-04	1	S	Housing, Blower
2	KH-M-0549016	8	S	Screw, M5 X 0.8 X 16
3	KH-24-146-02	1	S	Plate, Backing #2
4	KH-SM-0645016	4	S	Screw, M6 X 1.0 X 16
5	KH-24-063-07	1	S	Baffle, Cylinder Barrel #2
6	KH-24-063-02	1	S	Baffle, Valley, #2
7	KH-M-0549010	2	S	Screw, M5 X 0.8 X 10
8	KH-24-063-59-S	1		Baffle, Valley #1
9	KH-M-0649016	2		Screw, M6 X 1.0 X 16
10	KH-24-063-08	1	S	Baffle, Cylinder Barrel #1
11	KH-24-146-01	1	S	Plate, Backing #1
12	KH-X-22-12	1		Washer, I.T./E.T., 1/4



