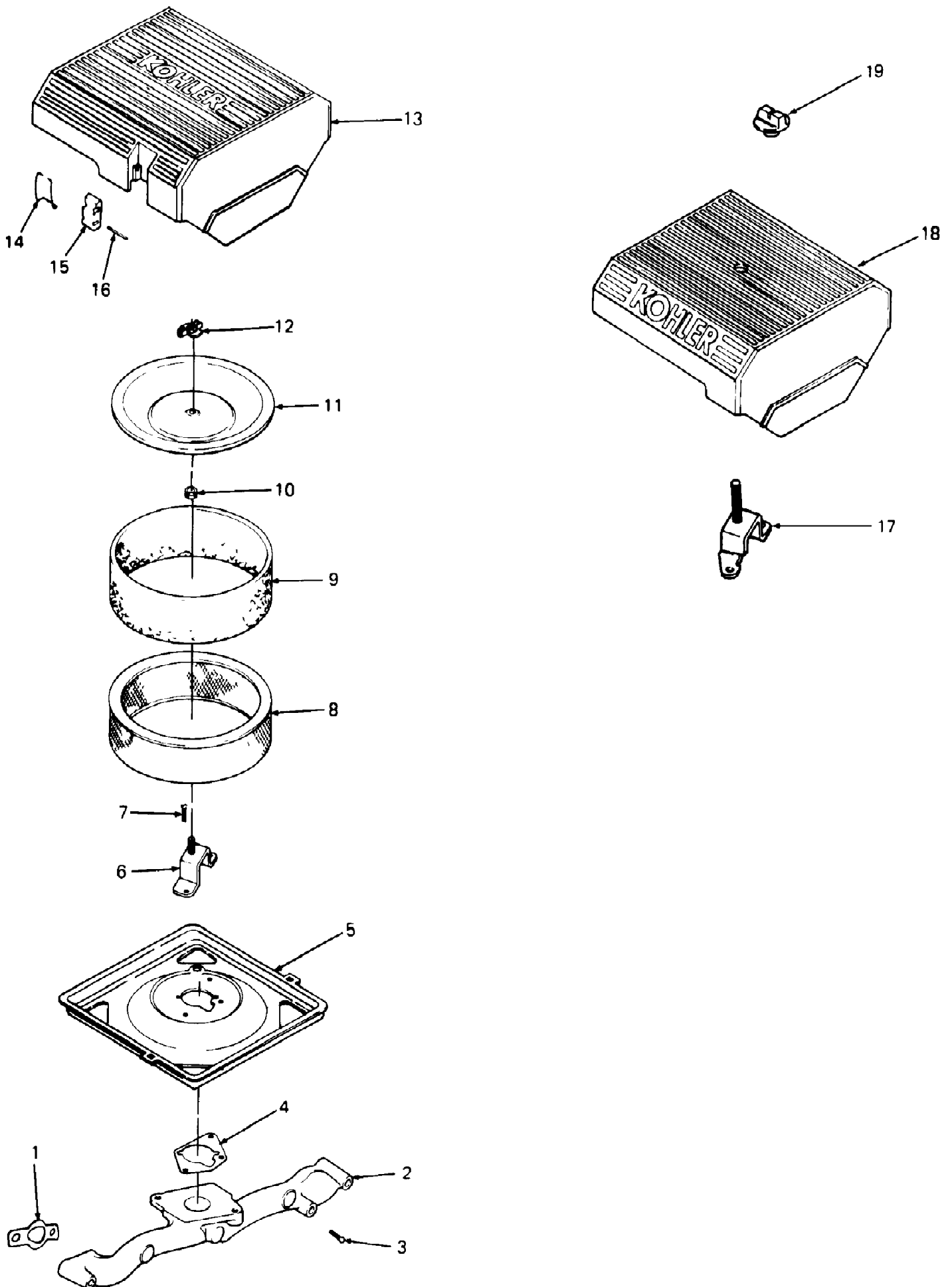


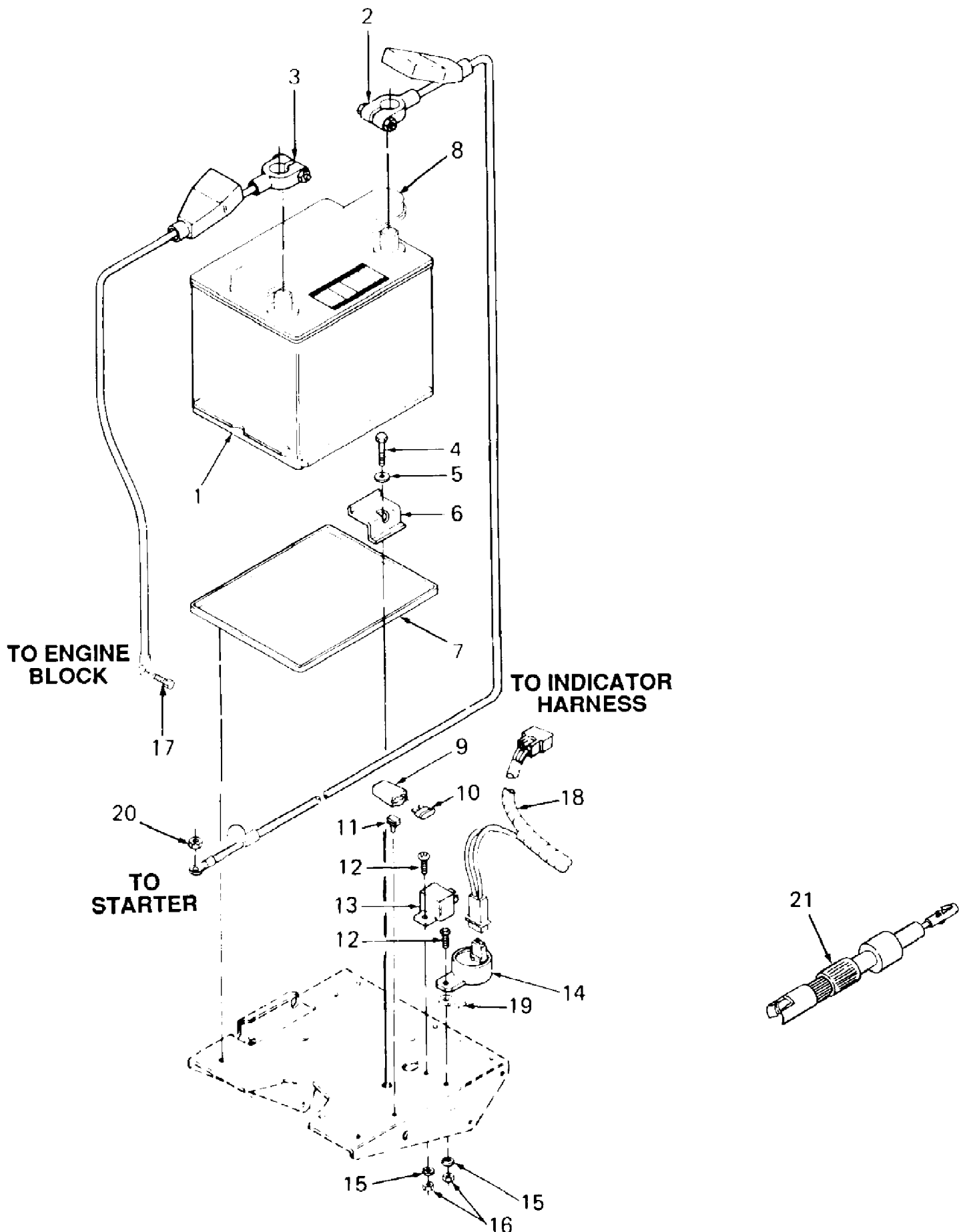
1864 S/N 836,001 - 880,000  
Air Intake/Filtration



1864 S/N 836,001 - 880,000  
Air Intake/Filtration

Page 2 of 92

| Ref # | Part Number  | Qty | S/P/F | Description              |
|-------|--------------|-----|-------|--------------------------|
| 1     | KH-24-041-01 | 2   | /P    | Gasket, Intake Manifold  |
| 2     | KH-24-164-01 | 1   | S     | Manifold, Intake         |
| 3     | KH-M-0639055 | 4   | S     | Screw, M6 x 1.0 x 18     |
| 4     | KH-24-041-06 | 1   | /P    | Gasket, Air Cleaner Base |
| 5     | KH-24-094-03 | 1   | S     | Base, Air Cleaner        |
| 6     | KH-24-126-01 | 1   |       | Bracket, Air Cleaner     |
| 7     | KH-M-0651016 | 3   | S     | Screw, M6 x 1.0 x 10     |
| 8     | KH-47-083-03 | 1   | S     | Element, Air Cleaner     |
| 9     | KH-24-083-02 | 1   | S     | Element, Pre-Cleaner     |
| 10    | KH-24-032-03 | 1   | /P    | Seal, Air Intake         |
| 11    | KH-24-096-01 | 1   | /P    | Cover, Inner Air Cleaner |
| 12    | KH-12-100-01 | 1   | /P    | Nut, Wing                |
| 13    | KH-24-096-03 | 1   | S     | Cover, Air Cleaner       |
|       | KH-24-113-07 | 1   |       | Decal, Horsepower        |
| 14    | KH-24-089-04 | 2   |       | Spring, Latch            |
| 15    | KH-24-344-01 | 2   | S     | Latch, Lever             |
| 16    | KH-24-380-03 | 2   |       | Pin, ACR Control         |
| 17    | KH-24-126-21 | 1   |       | Bracket, Air Cleaner     |
| 18    | KH-24-096-31 | 1   | S     | Cover, Air Cleaner       |
|       | KH-24-113-07 | 1   |       | Decal, Horsepower        |
| 19    | KH-25-341-02 | 1   | S     | Knob, Cover              |

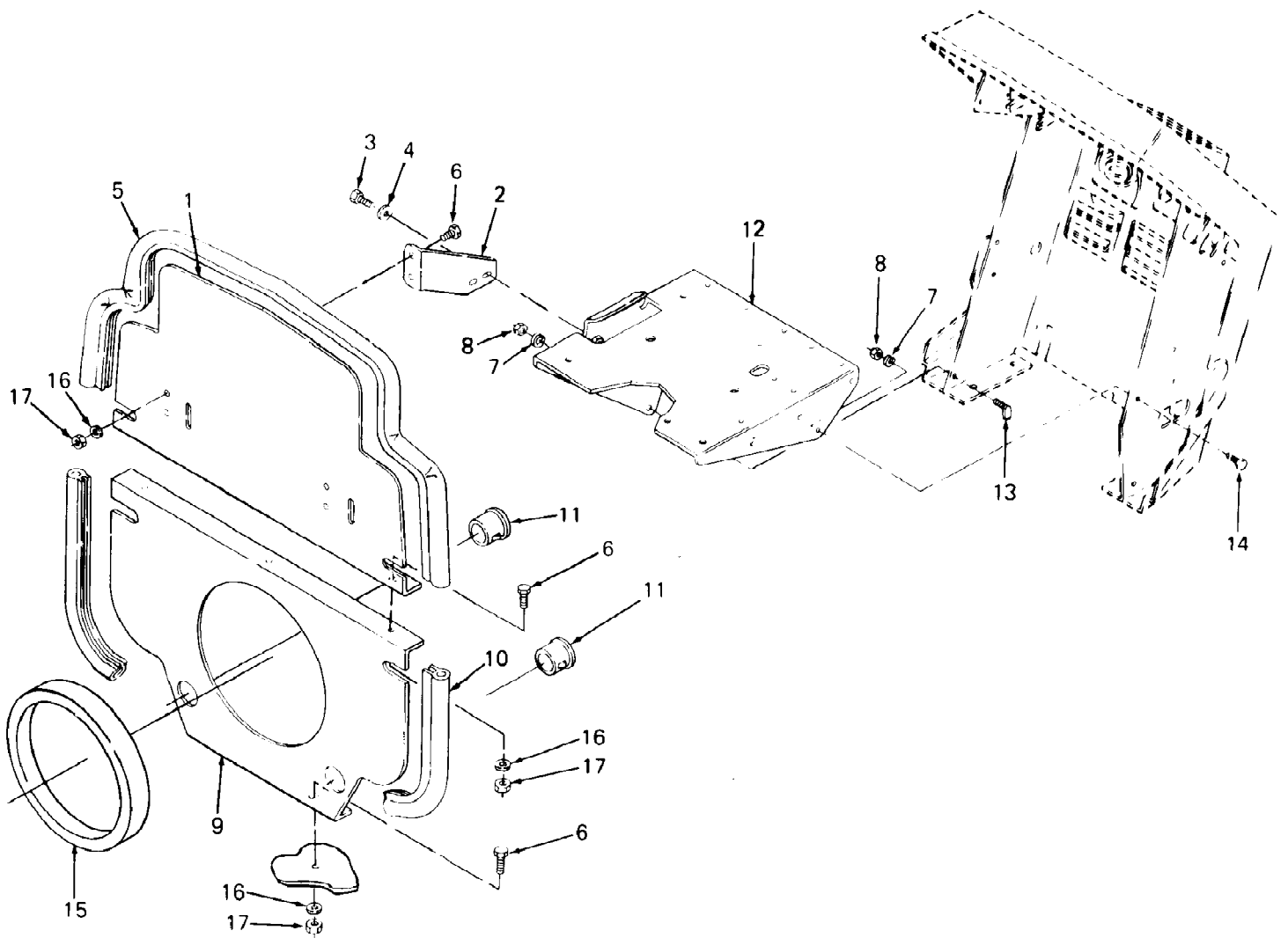


1864 S/N 836,001 - 880,000  
 Battery And Electrical Components

Page 4 of 92

| Ref # | Part Number | Qty | S/P/F | Description                                                   |
|-------|-------------|-----|-------|---------------------------------------------------------------|
| 1     | 725-3174    | 1   | S     | Battery                                                       |
| 2     | 725-3220    | 1   |       | Cable, Positive Battery                                       |
| 3     | 725-3221    | 1   |       | Cable, Negative Battery                                       |
| 4     | 710-3083    | 1   | /P    | Screw, Hex Cap, 5/16-18 X 1.38 Lg                             |
| 5     | 736-0275    | 1   | S     | Washer, Flat, .34 X .68 X .062 Thk                            |
| 6     | 703-1823    | 1   | S     | Hold Down, Battery                                            |
| 7     | 731-3105    | 1   |       | Tray, Battery                                                 |
| 8     | 759-3653    | 1   |       | Cap, Battery Vent                                             |
|       | 759-3654    | 1   |       | Tube, Battery Vent                                            |
| 9     | 729-0207    | 1   |       | Holder, Fuse                                                  |
| 10    | 725-1381    | 1   | S     | Fuse, 20 Amp                                                  |
| 11    | 729-0209    | 1   |       | Clip, Fuse Holder Mtg                                         |
| 12    | 710-0473    | 2   | /P    | Screw, Truss Mach, #10-24 X .50 Lg                            |
| 13    | 725-1375    | 1   | S     | Relay                                                         |
| 14    | 725-3165    | 1   | S     | Indicator, Voltage                                            |
| 15    | 736-0722    | 2   | S     | Washer, Lock, #10                                             |
| 16    | 712-0121    | 2   | S     | Nut, Hex, #10-24                                              |
| 17    | 710-3175    | 1   | /P    | Screw, Hex Cap, M8-1.25 X 14 MM Lg                            |
| 18    |             | 1   |       | Main Harness (Refer to Electrical)                            |
| 19    | 725-3147    | 1   |       | Lug, Quick Connect                                            |
| 20    | 712-3077    | 1   | /P    | Nut, Hex, M8-1.25 GR8.8                                       |
| 21    | 759-3675    | 1   |       | Diode Assy (Located in upper connector block of main harness) |

1864 S/N 836,001 - 880,000  
Battery Tray And Bulkhead

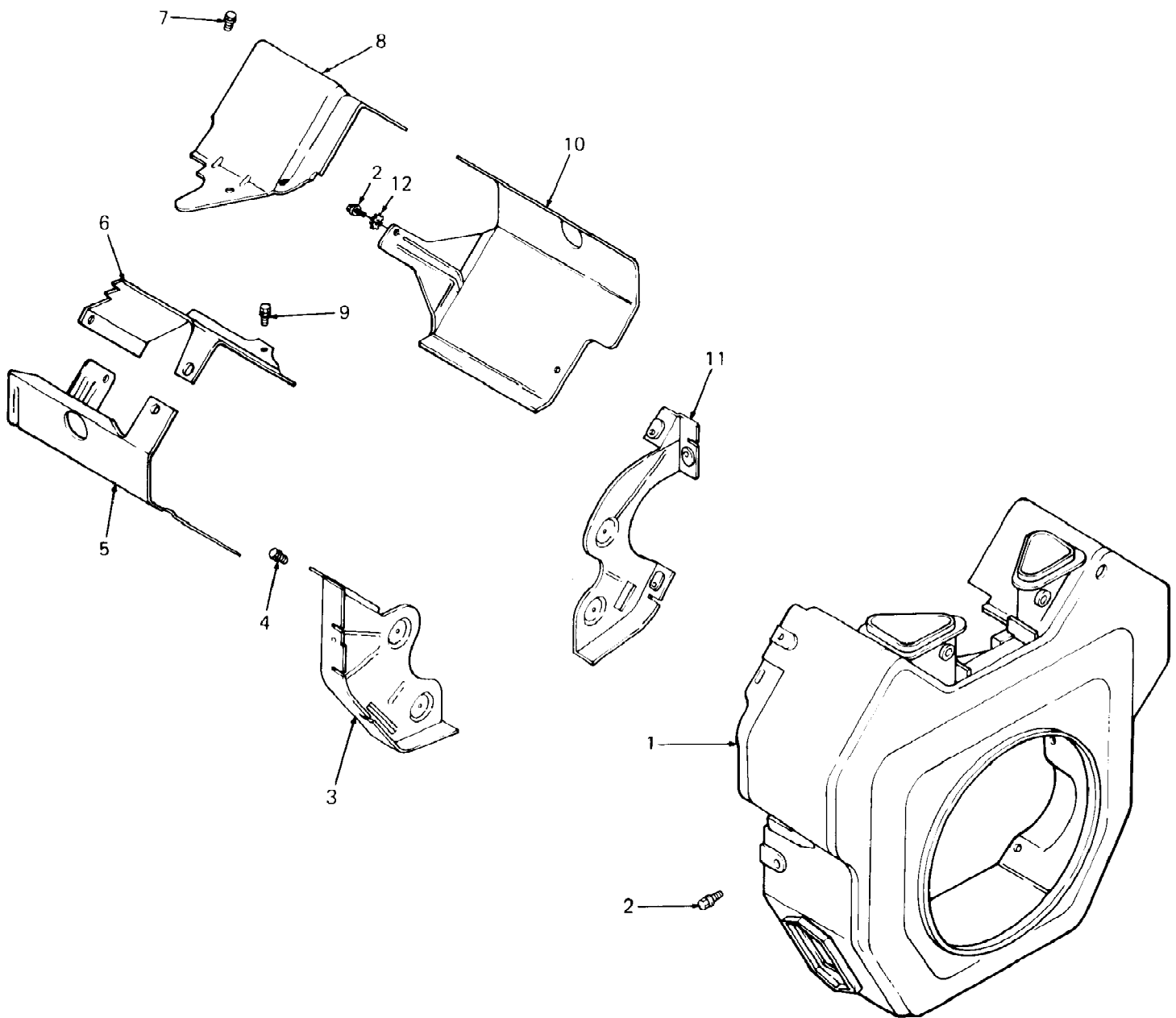


1864 S/N 836,001 - 880,000  
Battery Tray And Bulkhead

Page 6 of 92

| Ref # | Part Number | Qty | S/P/F | Description                                                            |
|-------|-------------|-----|-------|------------------------------------------------------------------------|
| 1     | 703-2144    | 1   |       | Bulkhead, Upper                                                        |
| 2     | 703-2142    | 2   |       | Bracket, Bulkhead                                                      |
| 3     | 710-3039    | 2   | /P    | Screw, Hex Cap, 5/16-18 X.50 Lg GR5                                    |
| 4     | 736-0242    | 2   | /P    | Washer, Bell, .345 X .88 X .060 Thk                                    |
| 5     |             | 1   |       | Seal, Bulkhead, 36" Lg (Order Part No. 723-3004, 56" Lg, & cut to fit) |
| 6     | 710-3013    | 8   | /P    | Screw, Hex Cap, 1/4-20 X.50 Lg GR5..                                   |
| 7     | 736-0329    | 4   | S     | Washer, Lock, 1/4                                                      |
| 8     | 712-3006    | 4   | /P    | Nut, Hex, 1/4-20 GR5                                                   |
| 9     | 703-2143    | 1   |       | Bulkhead, Lower                                                        |
| 10    |             | 2   |       | Seal, Bulkhead, 10" Lg (Order Part No. 723-3060, 17" Lg & cut to fit)  |
| 11    | 723-3042    | 2   | /P    | Bushing, Snap, 7/8 ID                                                  |
| 12    | 703-1827    | 1   | S     | Tray Assy, Battery                                                     |
| 13    | 710-3012    | 1   |       | Bolt, J-Type, 1/4-20                                                   |
| 14    | 710-0751    | 3   | /P    | Screw, Hex Cap, 1/4-20 X.62 Lg GR5..                                   |
| 15    | 723-3062    | 1   |       | Ring, Foam Sealing                                                     |
| 16    | 736-0270    | 8   | /P    | Washer, Bell, .265 X .75 X .062 Thk                                    |
| 17    | 712-3051    | 8   | /P    | Nut, Hex Top Lock, 1/4-20                                              |

1864 S/N 836,001 - 880,000  
Blower Housing And Baffles



1864 S/N 836,001 - 880,000  
Blower Housing And Baffles

| Ref # | Part Number    | Qty | S/P/F | Description                |
|-------|----------------|-----|-------|----------------------------|
| 1     | KH-24-027-04   | 1   | S     | Housing, Blower            |
| 2     | KH-M-0549016   | 8   | S     | Screw, M5 X 0.8 X 16       |
| 3     | KH-24-146-02   | 1   | S     | Plate, Backing #2          |
| 4     | KH-SM-0645016  | 4   | S     | Screw, M6 X 1.0 X 16       |
| 5     | KH-24-063-07   | 1   | S     | Baffle, Cylinder Barrel #2 |
| 6     | KH-24-063-02   | 1   | S     | Baffle, Valley, #2         |
| 7     | KH-M-0549010   | 2   | S     | Screw, M5 X 0.8 X 10       |
| 8     | KH-24-063-59-S | 1   |       | Baffle, Valley #1          |
| 9     | KH-M-0649016   | 2   |       | Screw, M6 X 1.0 X 16       |
| 10    | KH-24-063-08   | 1   | S     | Baffle, Cylinder Barrel #1 |
| 11    | KH-24-146-01   | 1   | S     | Plate, Backing #1          |
| 12    | KH-X-22-12     | 1   |       | Washer, I.T./E.T., 1/4     |



