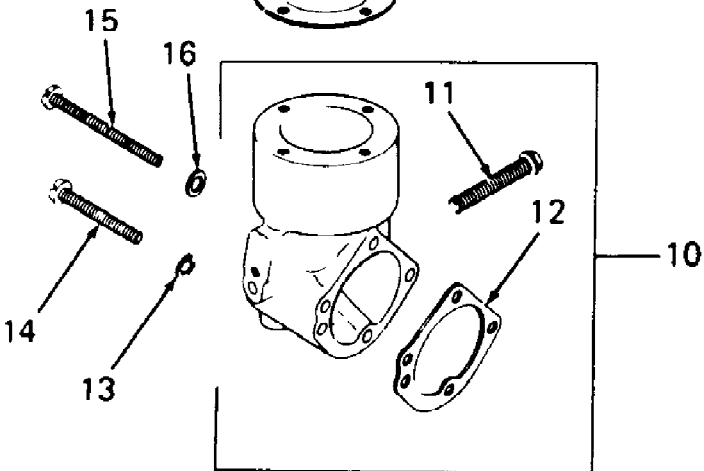
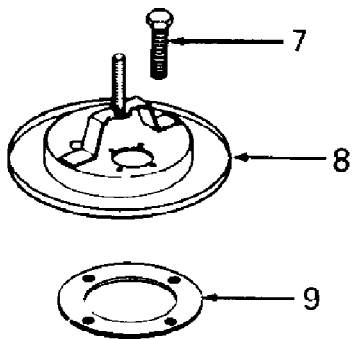
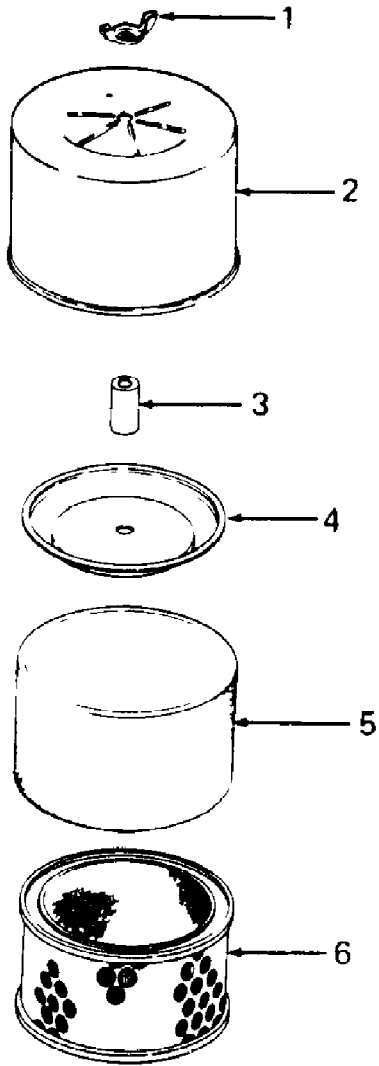


Air Intake

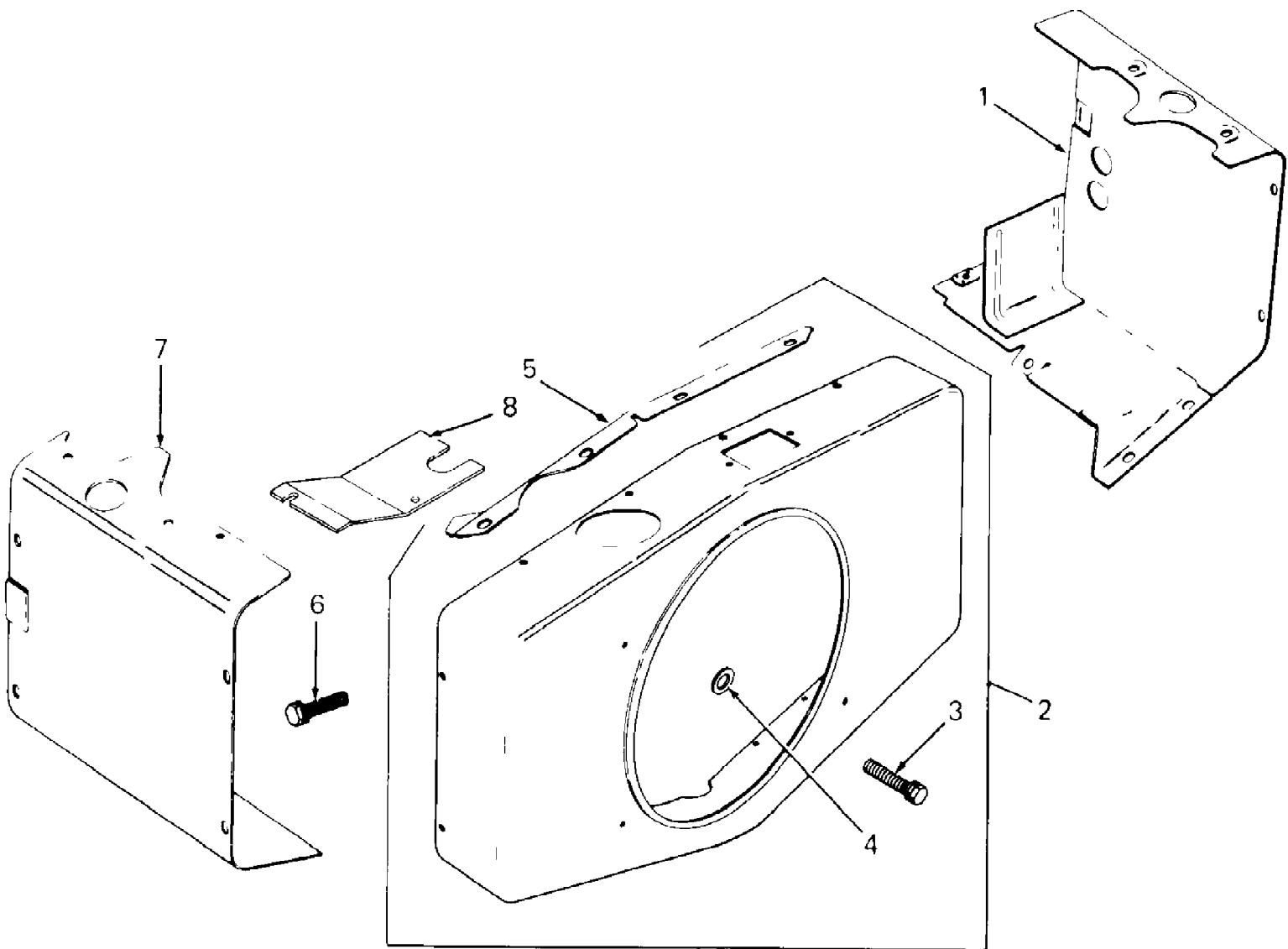


1862 S/N 821,060 - 836,000
Air Intake

Page 2 of 102

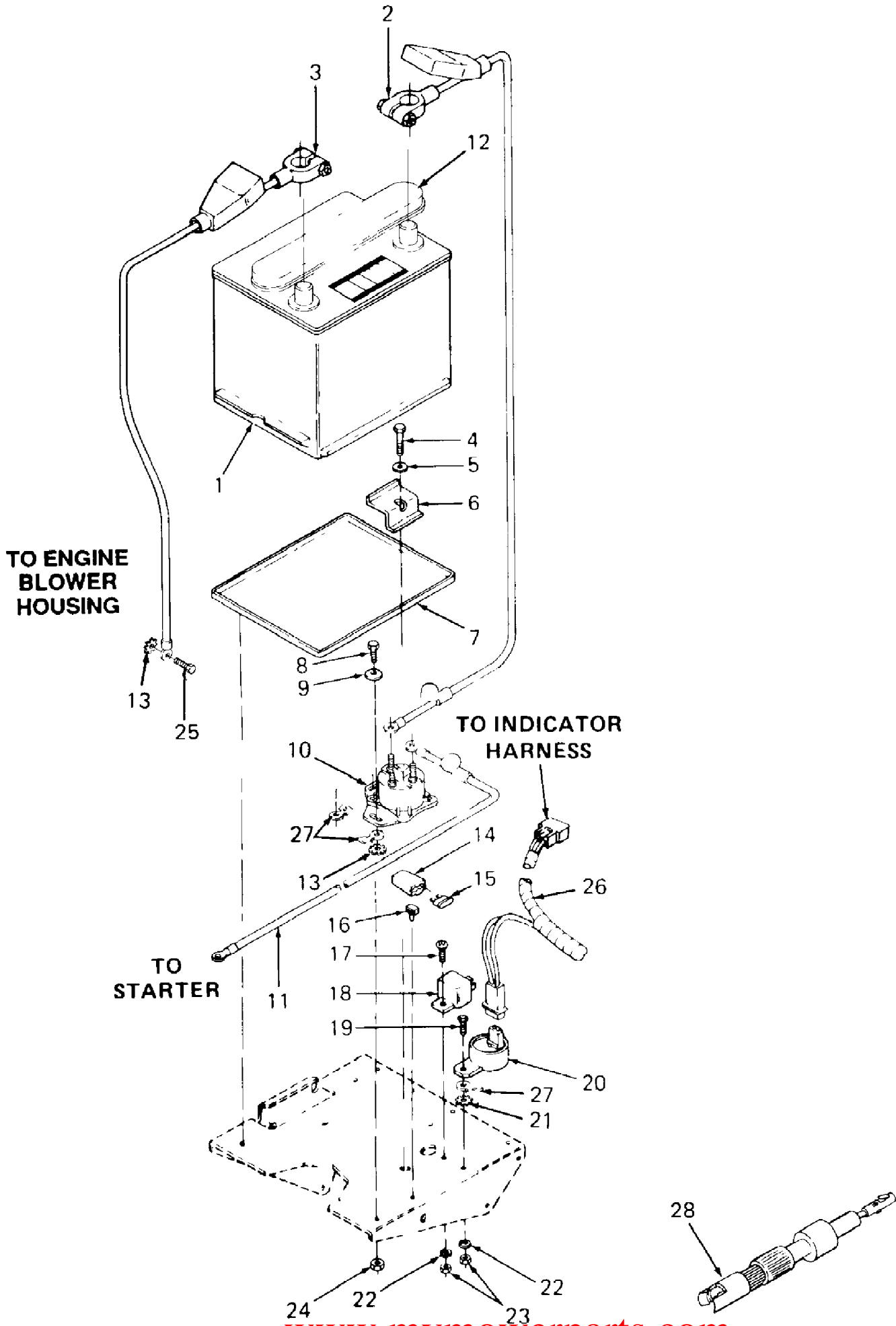
| Ref # | Part Number | Qty | S/P/F | Description |
|-------|--------------|-----|-------|---|
| 1 | KH-X-276-7 | 1 | S | Nut, Wing, 1/4-20 |
| 2 | KH-45-082-01 | 1 | /P | Cover, Air Cleaner |
| 3 | KH-231032 | 1 | /P | Seal, Element Cover |
| 4 | KH-52-082-04 | 1 | /P | Cover, Air Cleaner Element |
| 5 | KH-45-083-01 | 1 | S | Precleaner |
| 6 | 759-3359 | 1 | S | Element |
| 7 | KH-X-67-98 | 4 | S | Screw, Slted Hex Wash Hd, #10-32 X .56 Lg |
| 8 | KH-52-094-06 | 1 | /P | Base, Air Cleaner |
| 9 | KH-277093 | 1 | /P | Gasket, Air Cleaner |
| 10 | KH-52-754-01 | 1 | /P | Kit, Elbow (Includes Ref No. 11 & 12) |
| 11 | KH-52-086-11 | 1 | | Screw, Hex Cap, 1/4-20 X .62 Lg |
| 12 | KH-25-041-06 | 1 | /P | Gasket, Air Intake Elbow |
| 13 | KH-X-22-9 | 2 | | Washer, I.T. #10 |
| 14 | KH-X-50-57 | 2 | S | Screw, Slted Pan Hd, #10-32 X 1.5 Lg |
| 15 | KH-X-50-37 | 1 | /P | Screw, Slted Pan Hd, #10-32 X 2.25 Lg |
| 16 | KH-X-25-79 | 1 | | Washer, Plain, #10 |
| | KH-25-113-07 | 1 | | Decal, Air Cleaner Instruction |

1862 S/N 821,060 - 836,000
Baffles & Shroud



1862 S/N 821,060 - 836,000
 Baffles & Shroud

| Ref # | Part Number | Qty | S/P/F | Description |
|-------|--------------|-----|-------|---|
| 1 | KH-52-063-18 | 1 | S | Baffle, #1 Cylinder Head |
| 2 | KH-52-755-71 | 1 | S | Kit, Blower Housing [Includes Ref No. 3 (Qty 2), 4 (Qty 2) & 5] |
| 3 | KH-52-086-11 | 2 | | Screw, Self Tap, 1/4-20 X .62 Lg |
| 4 | KH-52-468-16 | 2 | | Washer, Flat, 1/4 |
| 5 | KH-52-217-01 | 1 | | Support, Upper Housing |
| 6 | KH-X-67-83 | 17 | S | Screw, Hex Wash Hd, 1/4-20 X .43 Lg |
| 7 | KH-52-124-02 | 1 | S | Baffle, #2 Cylinder Head |
| 8 | KH-52-063-39 | 1 | | Baffle, #2 Cylinder Top |
| | KH-52-113-32 | 2 | S | Decal, HP |

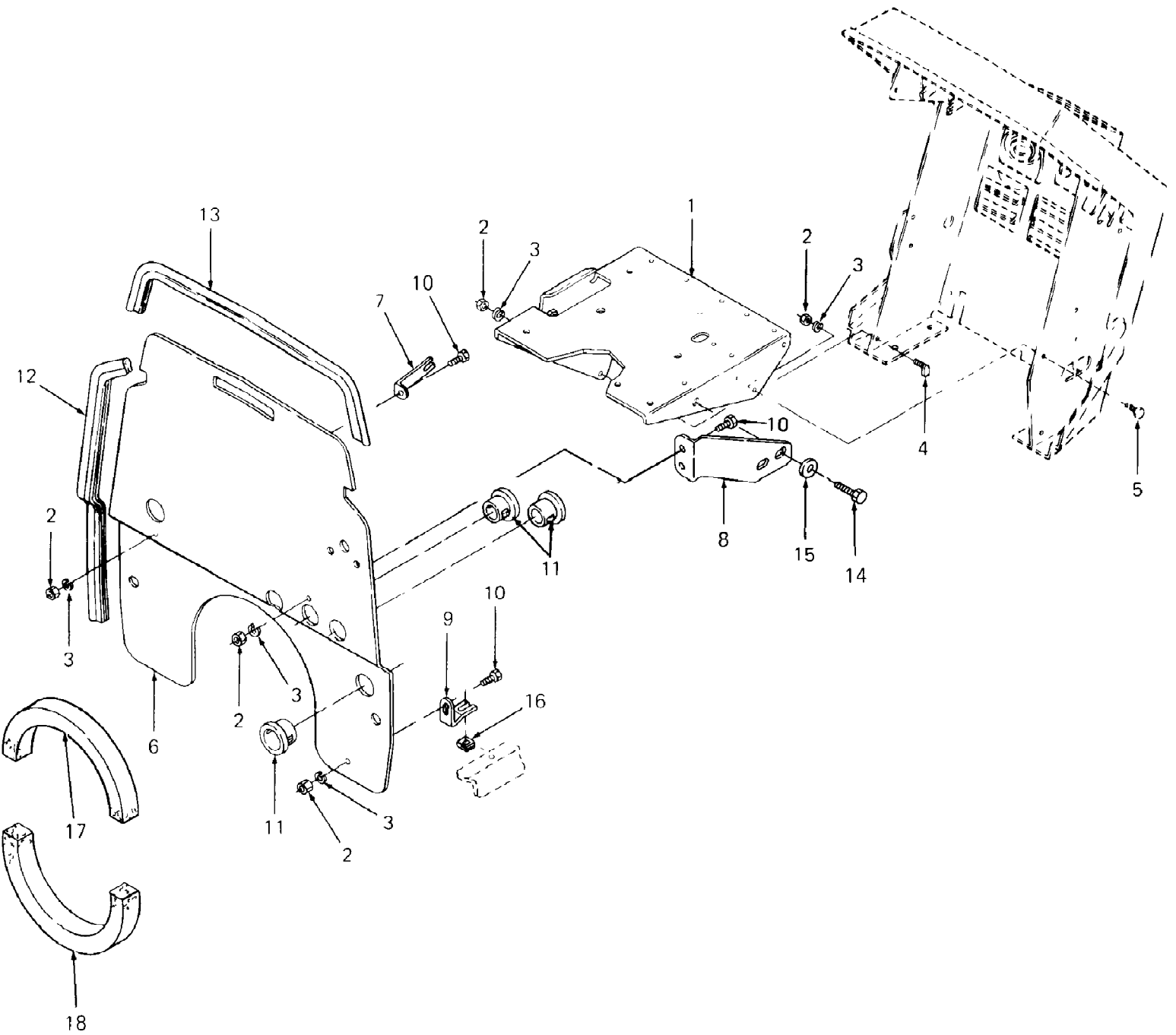


1862 S/N 821,060 - 836,000
Battery & Electrical Components

Page 6 of 102

| Ref # | Part Number | Qty | S/P/F | Description |
|-------|-------------|-----|-------|---|
| 1 | 725-3174 | 1 | S | Battery |
| 2 | 725-3197 | 1 | S | Cable, Positive Battery |
| 3 | 725-3195 | 1 | | Cable, Negative Battery |
| 4 | 710-3083 | 1 | /P | Screw, Hex Cap, 5/16-18 X 1.38 Lg |
| 5 | 736-0275 | 1 | S | Washer, Flat, .34 X .68 X .062 Thk |
| 6 | 703-1823 | 1 | S | Hold Down, Battery |
| 7 | 731-3105 | 1 | | Tray, Battery |
| 8 | 710-0751 | 2 | /P | Screw, Hex Cap, 1/4-20 X .62 Lg GR5 |
| 9 | 736-0270 | 2 | /P | Washer, Bell, .265 X .75 X .062 Thk |
| 10 | 725-3001 | 1 | S | Solenoid |
| | 736-0119 | 2 | S | Washer, Lock, 5/16 |
| | 712-3010 | 2 | S | Nut, Hex, 5/16-18 GR5 |
| 11 | 725-3206 | 1 | S | Cable, Starter |
| 12 | 759-3653 | 1 | | Cap, Battery Vent |
| | 759-3654 | 1 | | Tube, Battery Vent |
| 13 | 736-3006 | 2 | /P | Washer, Int-Ext, 1/4 |
| 14 | 729-0207 | 1 | | Holder, Fuse |
| 15 | 725-1381 | 1 | S | Fuse, 20 Amp |
| 16 | 729-0209 | 1 | | Clip, Fuse Holder Mtg |
| 17 | 710-0473 | 1 | /P | Screw, Truss Mach, #10-24 X .50 Lg |
| 18 | 725-1375 | 1 | S | Relay |
| 19 | 710-0473 | 1 | /P | Screw, Truss Mach, #10-24 X .50 Lg |
| 20 | 725-3165 | 1 | S | Indicator, Voltage |
| 21 | 736-0147 | 1 | S | Washer, External, #10 |
| 22 | 736-0722 | 2 | S | Washer, Lock, #10 |
| 23 | 712-0121 | 2 | S | Nut, Hex, #10-24 |
| 24 | 712-0291 | 2 | S | Nut, Hex Center Lock, 1/4-20 |
| 25 | 710-0653 | 1 | /P | Screw, Hex Wash Hd Tapp, 1/4-20 X .38 Lg |
| 26 | 725-3213 | 1 | /P | Main Harness |
| | 726-3020 | 2 | | Strap, Tie |
| 27 | 725-3147 | 3 | | Lug, Quick Connect |
| 28 | 759-3675 | 1 | | Diode Assy (Located in upper connector block of main harness) |

1862 S/N 821,060 - 836,000
Battery Tray & Heat Baffle

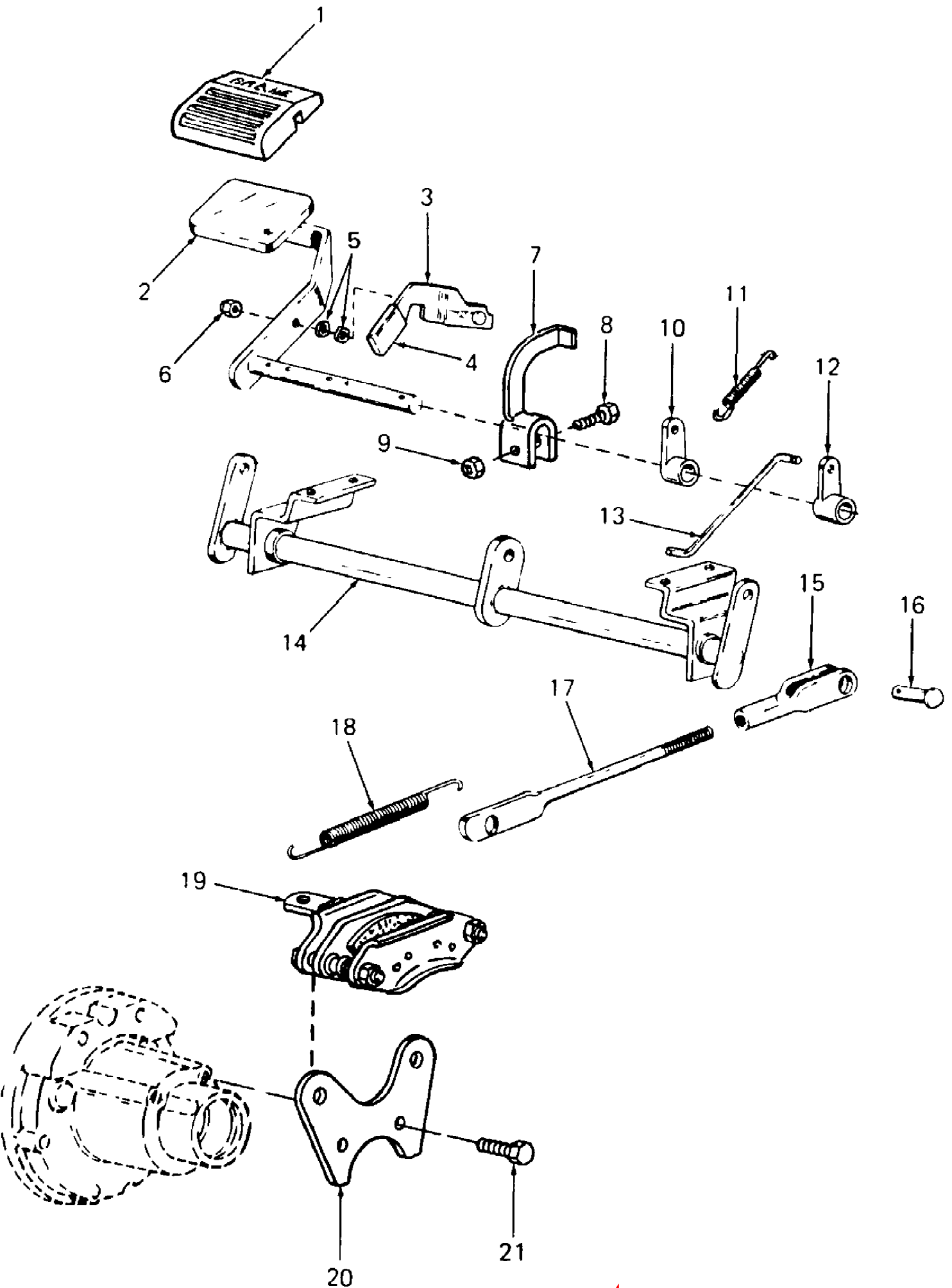


1862 S/N 821,060 - 836,000
Battery Tray & Heat Baffle

Page 8 of 102

| Ref # | Part Number | Qty | S/P/F | Description |
|-------|-------------|-----|-------|--------------------------------------|
| 1 | 703-1827 | 1 | S | Tray Assy, Battery |
| 2 | 712-3006 | 8 | /P | Nut, Hex, 1/4-20 GR5 |
| 3 | 736-0329 | 8 | S | Washer, Lock, 1/4 |
| 4 | 710-3012 | 1 | | Bolt, J-Type, 1/4-20 |
| 5 | 710-0751 | 3 | /P | Screw, Hex Cap, 1/4-20 X .62 Lg GR5 |
| 6 | 703-2056 | 1 | | Baffle, Heat |
| 7 | 703-1997 | 1 | S | L-Bracket, 1.9 Lg |
| 8 | 703-2142 | 1 | | Bracket, 5.0 Lg |
| 9 | 703-2057 | 2 | S | L-Bracket |
| | 710-0376 | 2 | /P | Screw, Hex Cap, 5/16-18 X 1.0 Lg GR5 |
| 10 | 710-3013 | 4 | /P | Screw, Hex Cap, 1/4-20 X .5 GR |
| 11 | 723-3042 | 3 | /P | Bushing, Snap, 7/8 ID |
| 12 | 723-3059 | 2 | /P | Seal, Heat Baffle, 19" Lg |
| 13 | 723-3060 | 1 | | Seal, Heat Baffle, 17" Lg |
| 14 | 710-3039 | 1 | /P | Screw, Hex Cap, 5/16-18 X .50 Lg |
| 15 | 736-0242 | 1 | /P | Washer, Bell, .345 X .88 X .060 Thk |
| 16 | 726-0211 | 2 | S | Nut, U-Type, 5/16-18 |
| 17 | 723-3010 | 1 | /P | Strip, Foam Gasket Sealing, 17" Lg |
| 18 | 723-3009 | 1 | /P | Strip, Foam Gasket Sealing, 27" Lg |

1862 S/N 821,060 - 836,000
Brakes & Connections



| Ref # | Part Number | Qty | S/P/F | Description |
|-------|-------------|-----|-------|---------------------------------------|
| 1 | 724-3004 | 1 | S | Pad, Brake Pedal |
| 2 | 703-0845A | 1 | | Pedal Assy, Brake |
| | 715-0114 | 1 | S | Pin, Spiral Spring, 1/4 Dia X 1.50 Lg |
| 3 | 703-1393 | 1 | | Bracket, Parking Brake |
| 4 | 720-3019 | 1 | S | Grip, Parking Brake |
| 5 | 736-3001 | 2 | /P | Washer, Wave, 1/4 Dia |
| 6 | 712-0324 | 1 | /P | Nut, Hex Insert Lock, 1/4-20 |
| 7 | 703-1956 | 1 | | Bracket, Start Switch |
| 8 | 710-0106 | 1 | /P | Screw, Hex Cap, 1/4-20 X 1.25 Lg |
| 9 | 712-0291 | 1 | S | Nut, Hex Center Lock, 1/4-20 |
| 10 | 748-3006 | 1 | S | Lever, Brake |
| | 715-0114 | 1 | S | Pin, Spiral Spring, 1/4 Dia X 1.50 Lg |
| 11 | 732-3010 | 1 | S | Spring, Return |
| 12 | 703-0900 | 1 | S | Lever, Brake |
| | 715-0114 | 1 | S | Pin, Spiral Spring, 1/4 Dia X 1.50 Lg |
| 13 | 747-3109A | 1 | | Rod, Brake Link |
| | 736-0185 | 2 | S | Washer, Flat, .406 X .75 X .063 Thk |
| | 714-0474 | 2 | S | Pin, Cotter, 1/8 Dia X .75 Lg |
| 14 | 703-1395 | 1 | S | Shaft Assy, Brake |
| | 710-3008 | 4 | /P | Screw, Hex Cap, 5/16-18 X .75 Lg GR5 |
| | 736-0119 | 4 | S | Washer, Lock, 5/16 |
| | 712-3010 | 4 | S | Nut, Hex, 5/16-18 GR5 |
| 15 | 719-3013 | 2 | /P | Clevis, Adjustment |
| 16 | 711-3010 | 2 | S | Pin, Clevis, 3/8 Dia X 1.0 Lg |
| | 714-0507 | 2 | S | Pin, Cotter, 3/32 Dia X .75 Lg |
| 17 | 711-3130 | 2 | | Rod, Brake |
| 18 | 732-0260 | 2 | S | Spring, Tension |
| 19 | 759-3423 | 2 | | Kit, Brake Caliper |
| 20 | 703-1787 | 2 | | Bracket, Brake Mounting |
| 21 | 710-0643 | 4 | /P | Bolt, Hex Patch, 5/16-18 X 1.0 Lg GR5 |