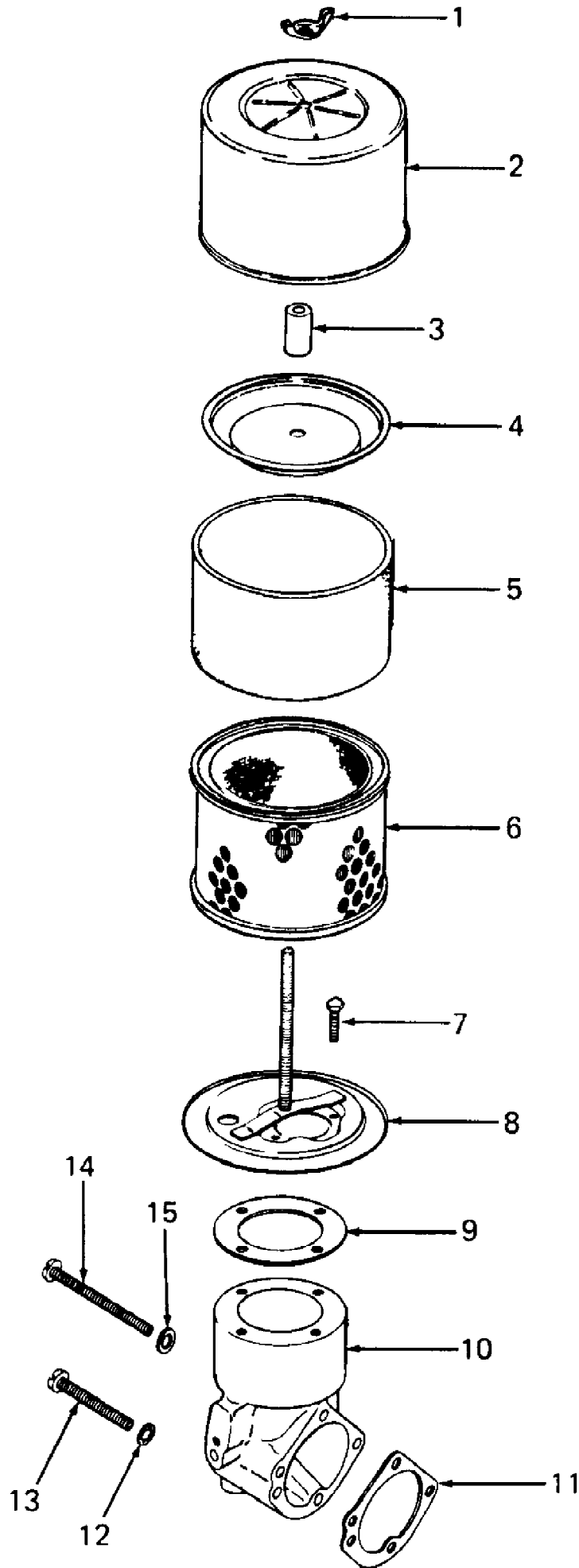


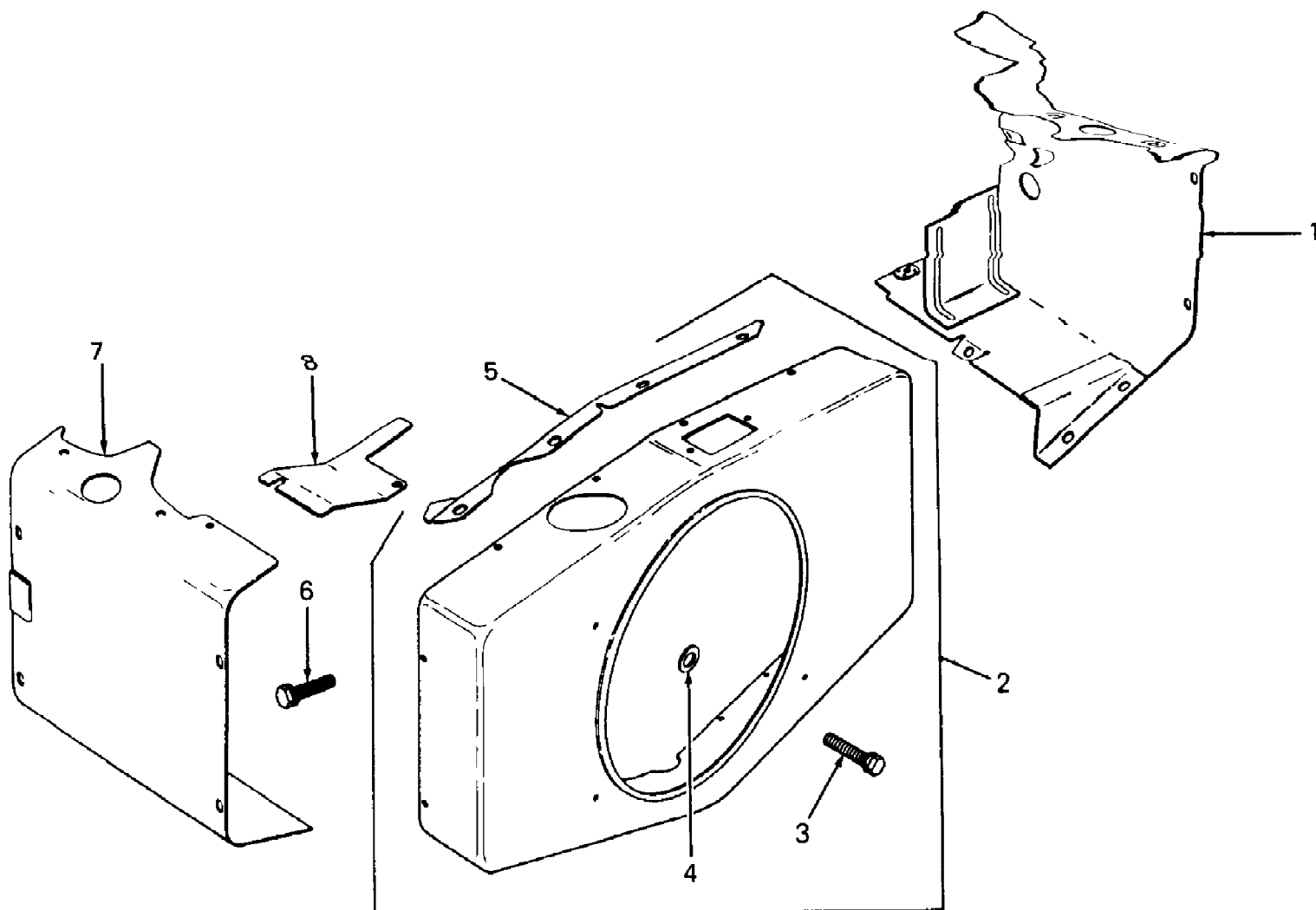
Air Intake



1806 S/N 756,300 - 799,999
Air Intake

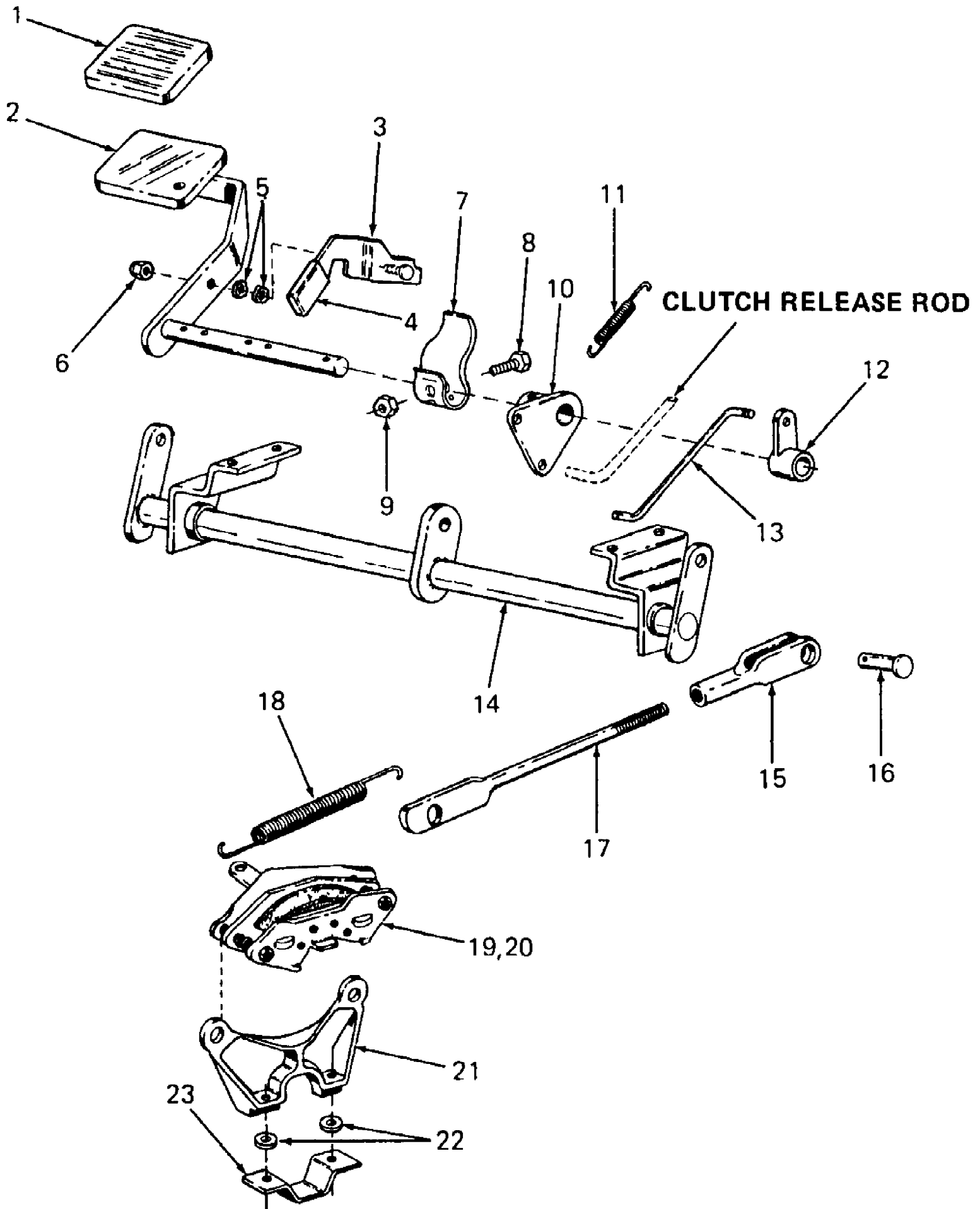
Ref #	Part Number	Qty	S/P/F	Description
1	KH-X-276-7	1	S	Nut, Wing, 1/4-20
2	KH-45-082-01	1	/P	Cover, Air Cleaner
3	KH-231032	1	/P	Seal, Element Cover
4	KH-52-082-04	1	/P	Cover, Air Cleaner Element
5	KH-45-083-01	1	S	Precleaner
6	759-3359	1	S	Element
7	KH-X-67-98	4	S	Screw, Sltd Hex Wash Hd, #10-32 X 9/16 Lg
8	KH-52-094-06	1	/P	Base, Air Cleaner
9	KH-277093	1	/P	Gasket, Air Cleaner
10	KH-52-054-15	1	S	Elbow, Air Intake
11	KH-277069	1	S	Gasket, Air Intake Elbow
12	KH-X-22-9	2		Washer, I.T. #10
13	KH-X-50-57	2	S	Screw, Sltd Pan Hd, #10-32 X 1.5 Lg
14	KH-X-50-37	1	/P	Screw, Sltd Pan Hd, #10-32 X 2.25 Lg
15	KH-X-25-79	1		Washer, Plain, #10
	KH-25-113-01	1		Decal, Air Cleaner Instruction

1806 S/N 756,300 - 799,999
Baffles & Shroud



1806 S/N 756,300 - 799,999
Baffles & Shroud

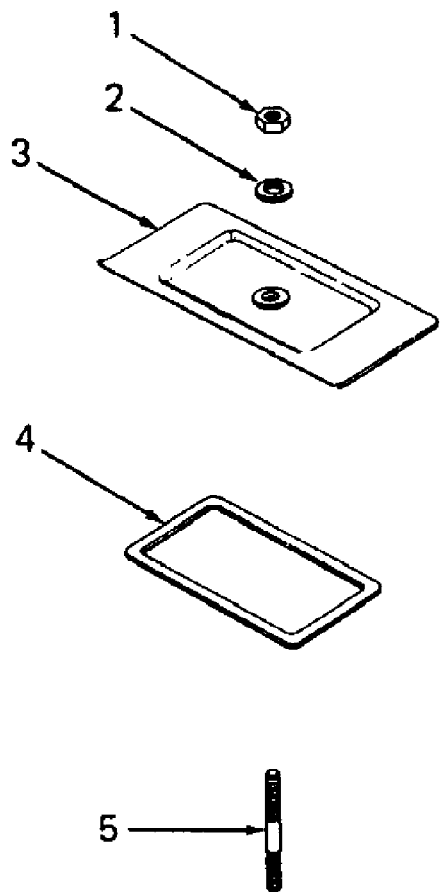
Ref #	Part Number	Qty	S/P/F	Description
1	KH-52-063-18	1	S	Baffle, #1 Cylinder Head
2	KH-52-755-71	1	S	Kit, Blower Housing (Includes 3, 4 & 5)
3	KH-52-086-11	2		Screw, Self Tap, 1/4-20 X 5/8
4	KH-52-468-16	2		Washer, Flat, 1/4
5	KH-52-217-01	1		Support, Upper Housing
6	KH-X-67-83	19	S	Screw, Hex Wash Hd, 1/4-20 X 7/16
7	KH-52-063-21	1	S	Baffle, #2 Cylinder Head
8	KH-52-063-01	1	S	Baffle, #2 Cylinder Top



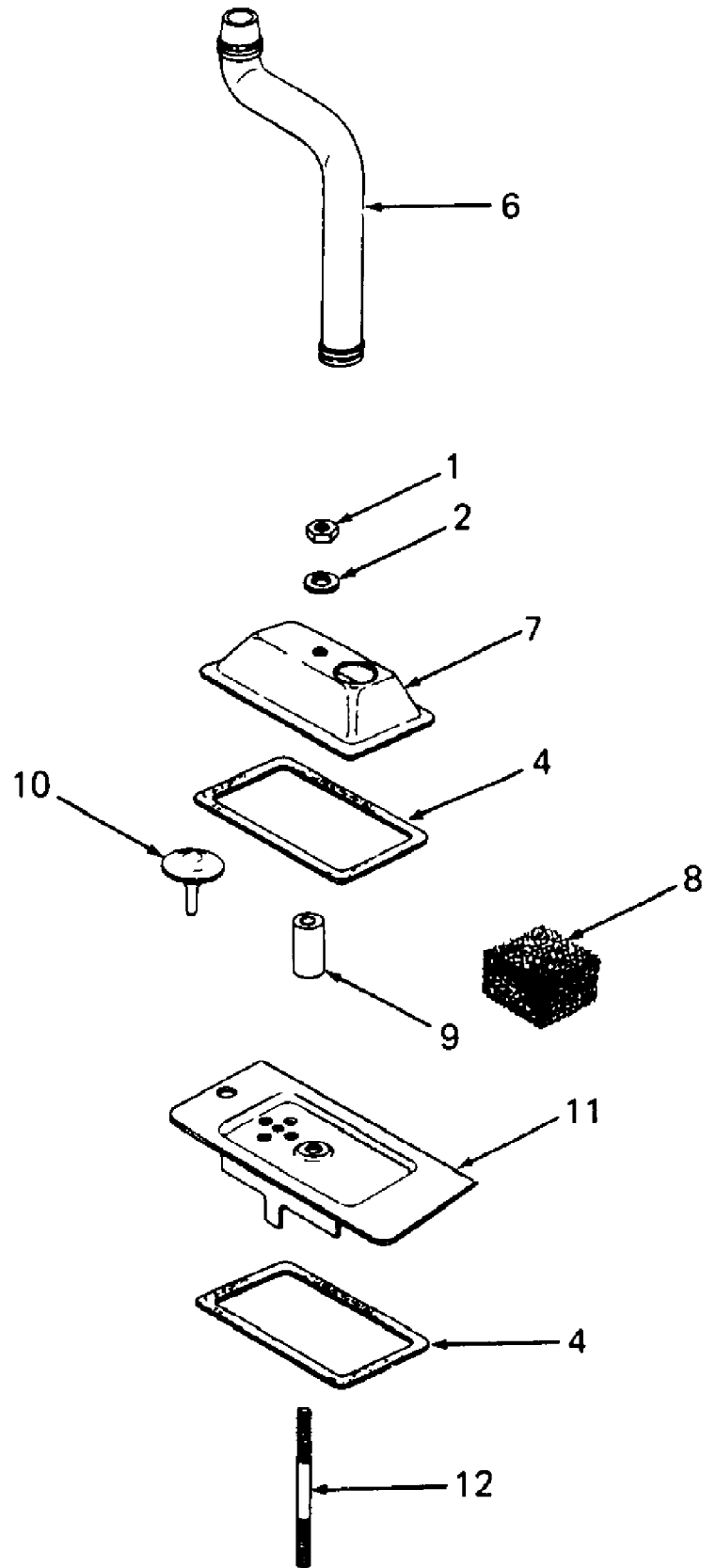
Ref #	Part Number	Qty	S/P/F	Description
1	724-3000	1	S	Pad, Pedal
2	703-0845	1		Pedal Assy, Brake & Clutch
	715-0114	1	S	Pin, Spiral Spring, 1/4 Dia X 1.50 Lg
3	703-1393	1		Bracket, Parking Brake
4	720-3019	1	S	Grip, Parking Brake
5	736-3001	2	/P	Washer, Wave, 1/4 Dia
6	712-0324	1	/P	Nut, Hex Insert Lock, 1/4-20
7	732-3039	1		Spring, Switch Operating
	715-0114	1	S	Pin, Spiral Spring, 1/4 Dia X 1.50 Lg
	726-3000	1	/P	Nut, Speed
8	710-3015	1	/P	Screw, Hex Cap, 1/4-20 X .75 Lg GR5
9	712-0291	1	S	Nut, Hex Center Lock, 1/4-20
10	703-0211	1	S	Arm, Brake & Clutch
	715-0114	1	S	Pin, Spiral Spring, 1/4 Dia X 1.50 Lg
11	732-3015	1	S	Spring, Brake Return
12	703-0900	1	S	Lever, Brake
	715-0114	1	S	Pin, Spiral Spring, 1/4 Dia X 1.50 Lg
13	747-3096	1		Rod, Brake Lever
	736-0185	2	S	Washer, Flat, .406 X .75 X .06 Thk
	714-0507	2	S	Pin, Cotter, 3/32 Dia X .75 Lg
14	703-0903	1		Shaft Assy, Brake
	710-3008	4	/P	Screw, Hex Cap, 5/16-18 X .75 Lg GR5
	736-0119	4	S	Washer, Lock, 5/16 Dia
	712-3010	4	S	Nut, Hex, 5/16-18 GR5
15	719-3013	2	/P	Clevis, Adjustment
16	711-3010	2	S	Pin, Clevis, 3/8 Dia X 1.0 Lg
	736-0185	2	S	Washer, Flat, .406 X .75 X .06 Thk
	714-0507	2	S	Pin, Cotter, 3/32 Dia X .75 Lg
17	711-3130	2		Rod, Brake
18	732-0260	2	S	Spring, Extension
19	759-3423	1	F	Brake Kit, LH - Caliper
20	759-3424	1		Brake Kit, RH - Caliper
21	719-3061	2		Bracket, Brake Mounting
22	736-3010	4	/P	Washer, Flat, .406 X .812 X .134 Thk
23	703-0222	2		Bracket, Caliper Flange Mounting
	710-3125	4		Bolt, Hex Patch Lock, 3/8-16 X 1.25 Lg GR8

1806 S/N 756,300 - 799,999
Breather & Vent

Page 7 of 86



NO. 2 CYLINDER



NO. 1 CYLINDER

1806 S/N 756,300 - 799,999
Breather & Vent

Ref #	Part Number	Qty	S/P/F	Description
1	KH-X-81-1	2		Nut, Hex, 1/4-20
2	KH-X-25-12	2	/P	Washer, Plain, 1/4
3	KH-52-096-18	1		Cover, #2 Cylinder Valve
4	KH-52-055-01	3	S	Gasket, Valve Cover
5	KH-X-352-39	1		Stud, #2 Cylinder Valve Cover, 1/4-20 X 2-1/4
6	KH-52-326-05	1	S	Hose, Breather
7	KH-52-096-08	1	/P	Cover, #1 Upper Cylinder Valve
8	KH-231419	1	S	Filter, Breather
9	KH-52-032-04	1	S	Seal, Breather
10	KH-52-462-01	1	S	Valve, Umbrella
11	KH-52-096-22	1	S	Cover, #1 Lower Cylinder Valve
12	KH-275220	1		Stud, #1 Cylinder Valve Cover, 1/4-20 X 3-1/4