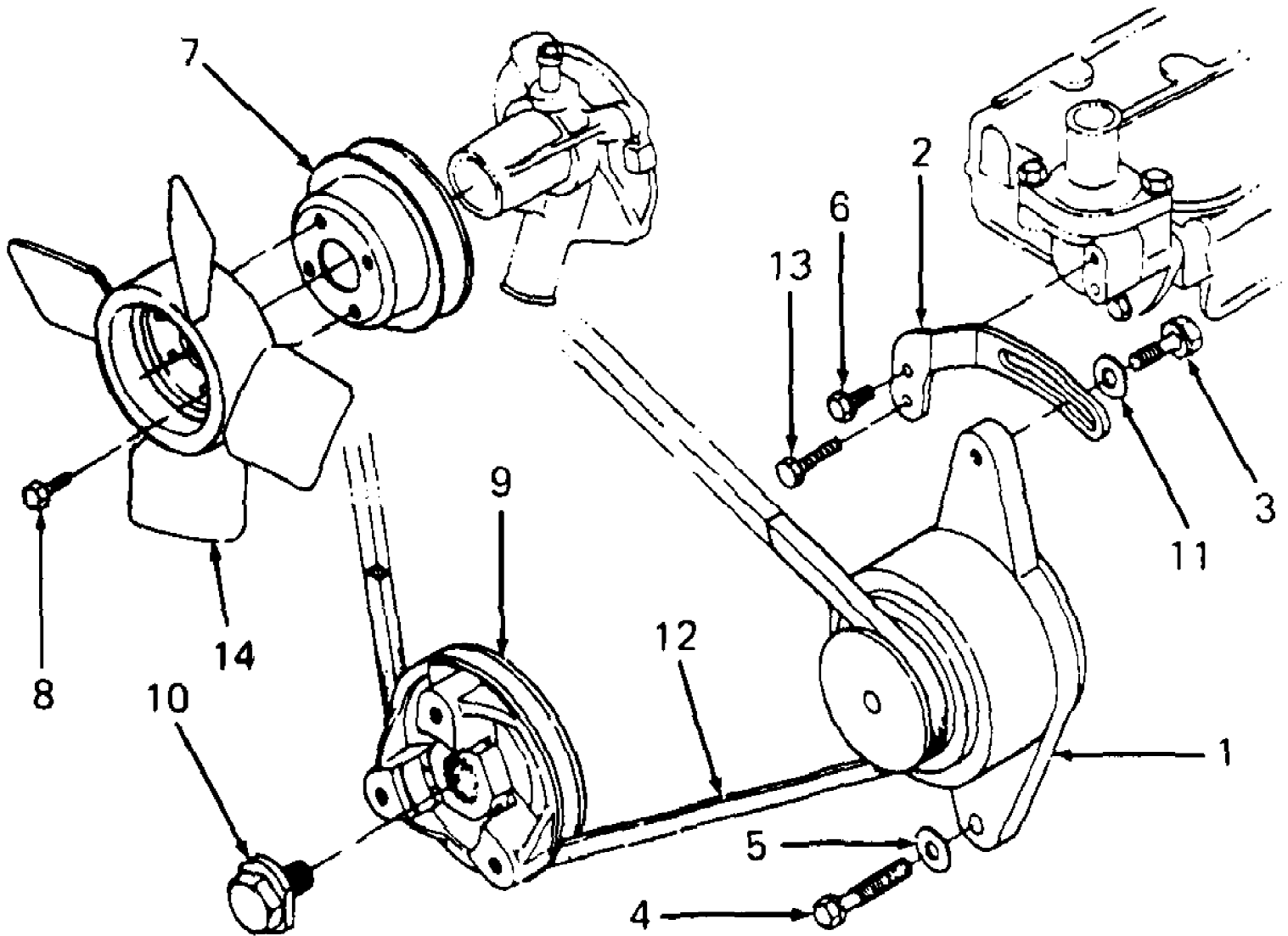


**USED ON TRACTORS WITH
SERIAL NO. 836,001 AND ABOVE**

1782 S/N 821,060 - 889,000
Air Cleaner

Page 2 of 127

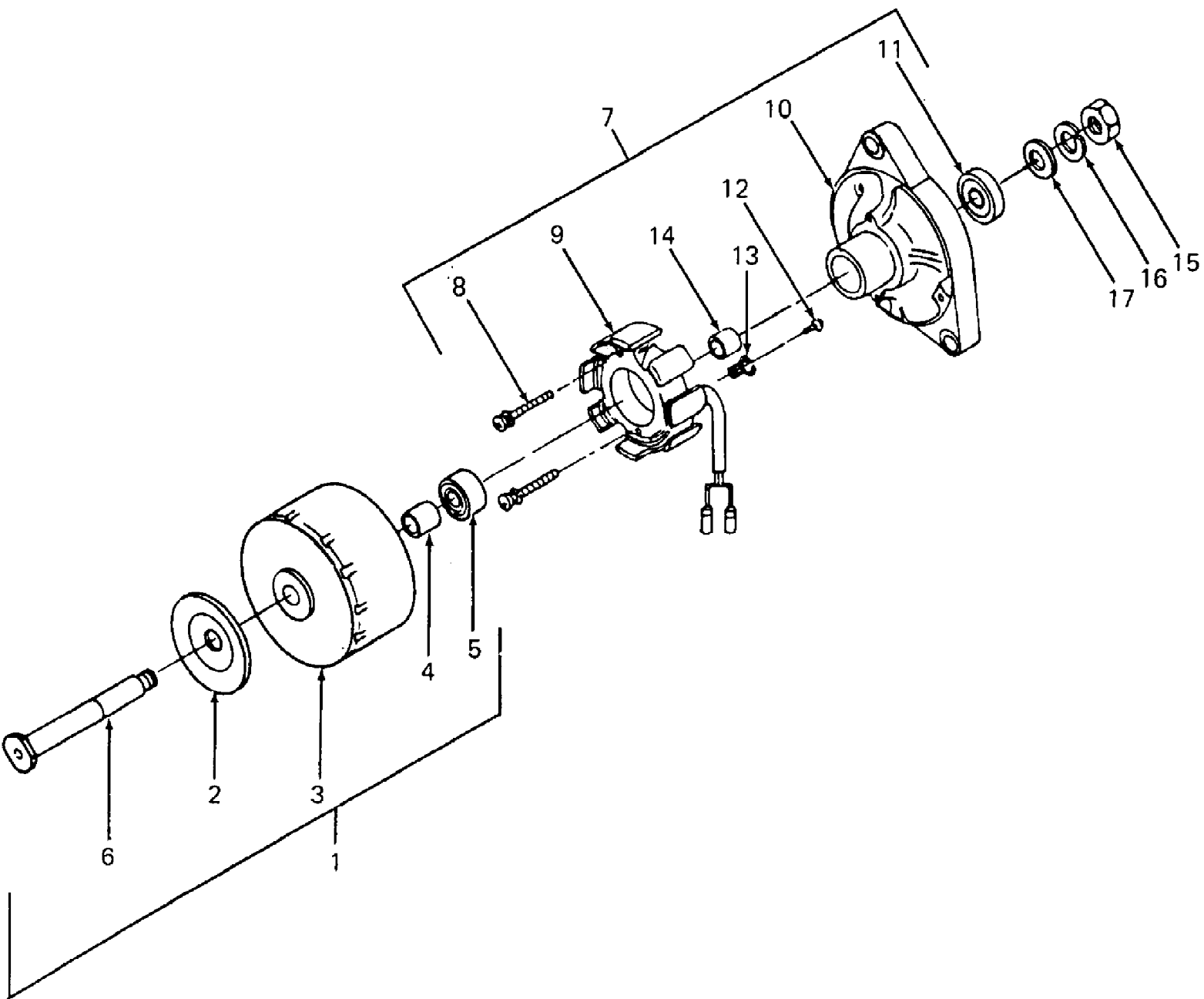
Ref #	Part Number	Qty	S/P/F	Description
1	KB-19488-11010	1		Air Cleaner Assy
2	KB-15241-11150	1		Body, Air Cleaner
3	KB-70000-11221	1	/P	Element, Air Cleaner
4	KB-15227-87480	1		Label, Air Cleaner Element
5	KB-15221-92620	1	/P	Bolt, Wing
6	KB-15221-94430	1		Washer w/Rubber
7	KB-15221-11410	1		Cover, Baffle
8	KB-15221-11170	1	/P	Gasket, Air Cleaner Cover
9	KB-15241-11160	1	/P	Cover, Air Cleaner
10	KB-15372-87452	1		Label, Air Cleaner
11	KB-19426-87900	1		Label, Ether Caution
12	KB-15371-11252	1	/P/F	Band, Air Cleaner
12	KB-15381-11250	1	F	Band, Air Cleaner
13	KB-15371-11870	1		Cushion
14	KB-01222-50830	1		Bolt
15	KB-02114-50080	1	/P	Nut
16	KB-04512-50080	1	S	Washer, Spring
17	726-3033	2		Clamp, Hose
18	735-3035	1		Hose, Diesel Air Inlet
19	726-3037	1		Clamp, Hose
20	735-3033	1		Hose, Air Intake
21	703-1896	1		Bracket, Air Cleaner Mtg
22	710-3008	2	/P	Screw, Hex Cap, 5/16-18 X .75 Lg GR5
23	736-3070	2	/P	Washer, Flat, .344 X 1.5 X .105 Thk
24	736-0119	2	S	Washer, Lock, 5/16
25	712-3010	2	S	Nut, Hex, 5/16-18 GR5
26	710-3137	2		Screw, Hex Cap, M8-1.25 X 20 mm GR5
27	736-0242	2	/P	Washer, Bell, .345 X .88 X .060 Thk
28	703-2359	1		Bracket, Air Cleaner (Used on tractors with Serial No. 836,001 & above)
29	710-3039	2	/P	Screw, Hex Cap, 5/16 x 18 x .50 Lg GR5
30	736-0242	1	/P	Washer, Bell, .345 x .88 x .060 Thk
31	712-3009	2	S	Nut, Hex Center Lock, 5/16-18 GR5



**USED ONLY WITH ENGINES
THAT DO NOT USE COOLANT
RECOVERY TANK**

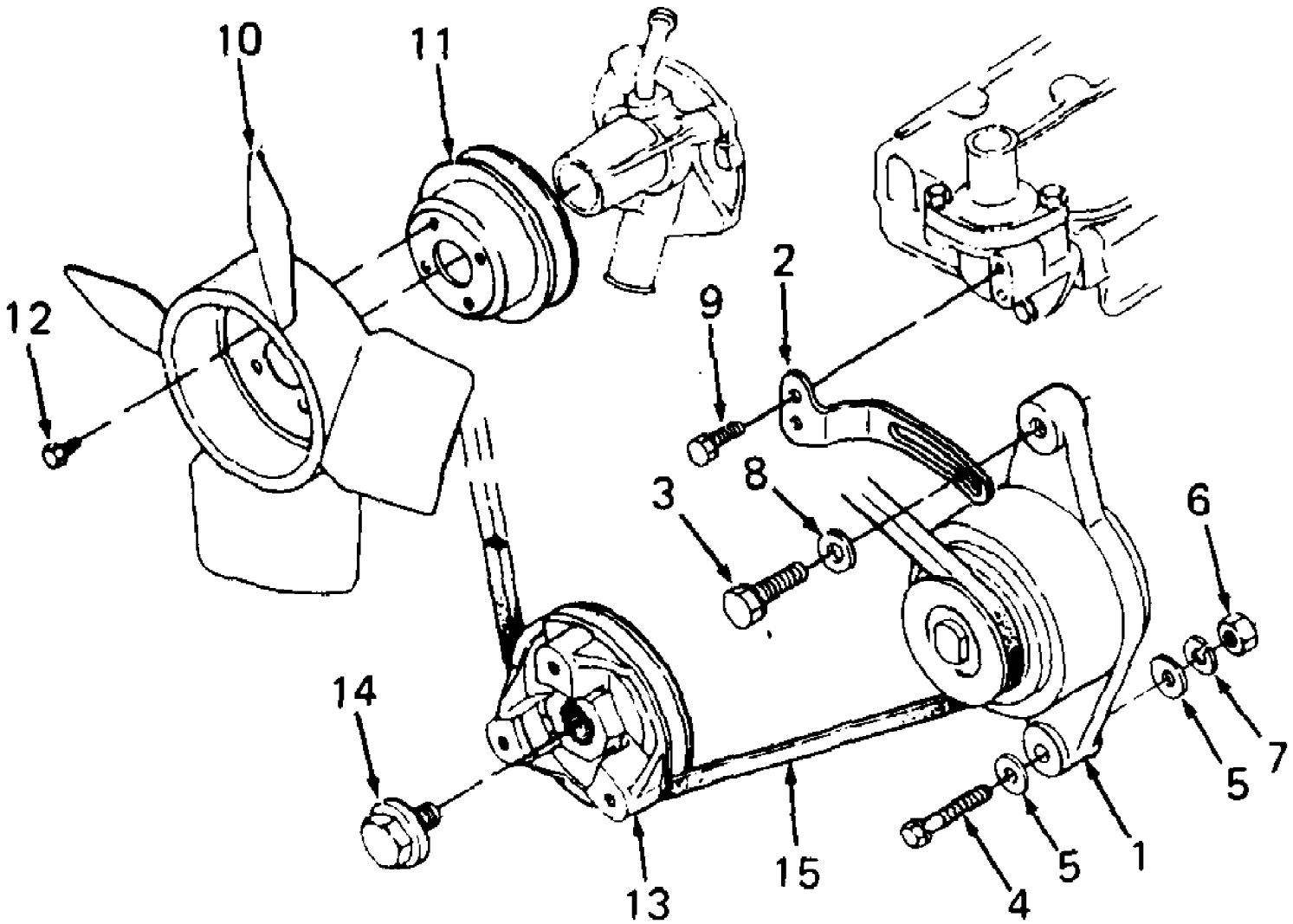
1782 S/N 821,060 - 889,000
Alternator I, Belt, Water Pump Pulley & Fan I

Ref #	Part Number	Qty	S/P/F	Description
1	KB-15531-64013	1	S/F	Alternator
2	KB-15841-64420	1	/P	Support, Alternator
3	KB-01123-50825	1		Screw w/Washer
4	KB-15841-91020	1	/P	Screw w/Washer
5	KB-04013-50080	1	/P	Washer, Flat
6	KB-01023-50616	1		Screw w/Washer
7	KB-15841-74250	1		Pulley, Water Pump
8	KB-01754-50610	4		Screw, Hex Washer Head
9	KB-15861-74280	1	/P	Pulley, Alternator Drive
10	KB-15881-91030	1		Screw
11	KB-04015-50080	1		Washer, Flat
12	KB-15841-97010	1	/P	V-Belt
13	KB-15841-91040	1		Screw w/Washer
14	KB-15862-74110	1		Fan



1782 S/N 821,060 - 889,000
 Alternator II

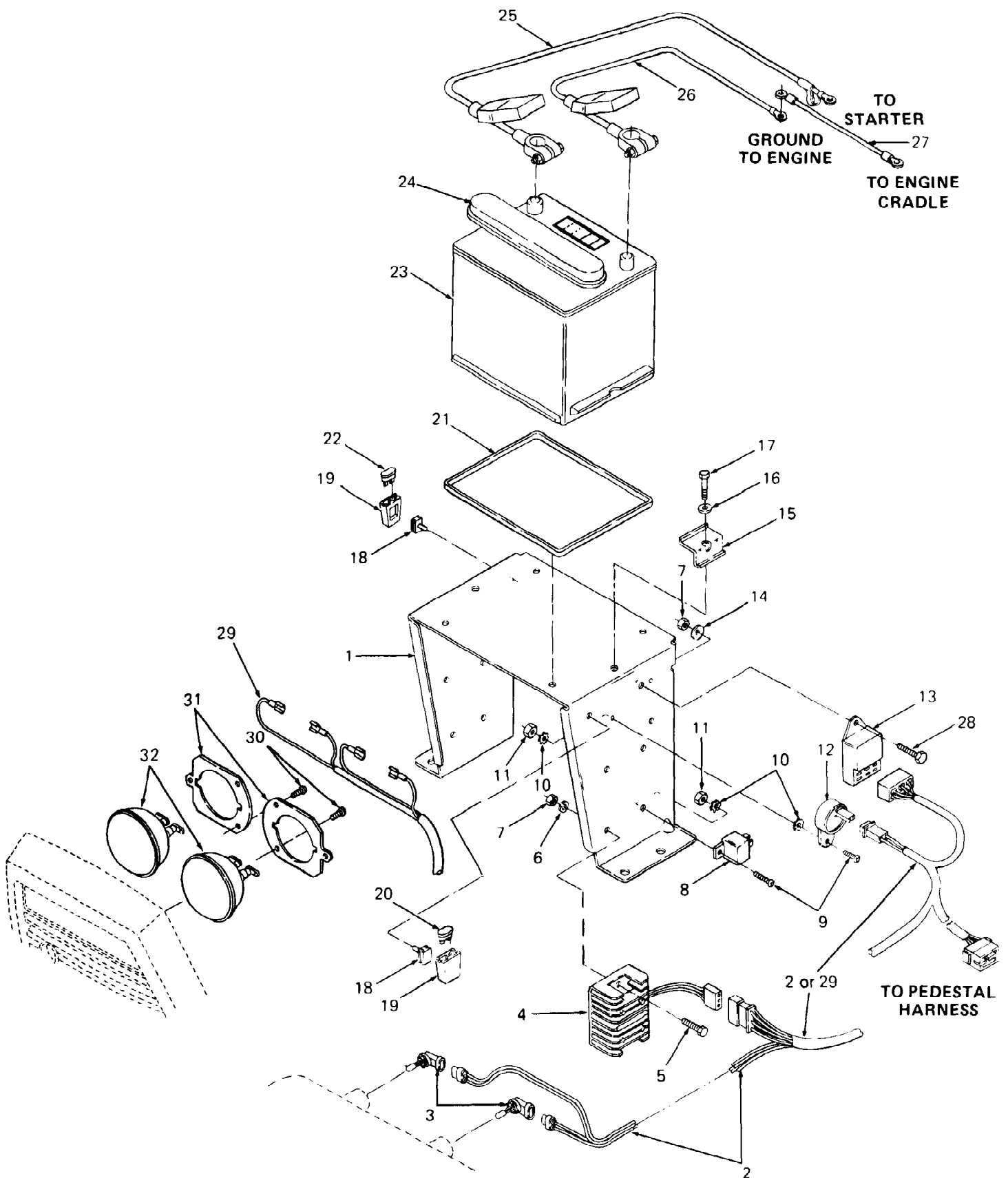
Ref #	Part Number	Qty	S/P/F	Description
1	KB-15531-64122	1		Rotor Complete (Includes Ref No. 2, 3, 4, 5 & 6)
2	KB-15531-64110	1		Pulley
3	KB-15531-64040	1		Rotor
4	KB-15531-64140	1		Collar
5	KB-15531-74180	2	S	Bearing, Ball
6	KB-15531-74140	1		Shaft, Fan
7	KB-15531-64363	1		Stator Complete [Includes Ref No. 8 (Qty 2), 9, 10, 11, 12, 13 & 14]
8	KB-15261-93010	2		Screw, Round Head
9	KB-15531-64292	1	/P	Starter
10	KB-15531-64072	1	/P	Plate
11	KB-15531-74180	1	S	Bearing, Ball
12	KB-15531-93010	1		Screw, Round Head
13	KB-15531-64190	1		Clamp, Cord
14	KB-15261-64150	1		Collar
15	KB-15261-92030	1		Nut
16	KB-15261-94070	1		Washer, Spring
17	KB-15261-94020	1		Washer, Flat



**USED ONLY WITH ENGINES
THAT USE THE COOLANT
RECOVERY TANK**

1782 S/N 821,060 - 889,000
 Alternator Mounting & Fan II

Ref #	Part Number	Qty	S/P/F	Description
1	KB-15531-64013	1	S	Alternator Assy
2	KB-15872-64420	1	S	Stay, Alternator
3	KB-01123-50825	1		Bolt
4	KB-01153-50855	1		Bolt
5	KB-04013-50080	2	/P	Washer, Plain
6	KB-02114-50080	1	/P	Nut
7	KB-04512-50080	1	S	Washer, Spring
8	KB-04015-50080	1		Washer, Plain
9	KB-01754-50614	2		Bolt
10	KB-15872-74110	1		Fan
11	KB-15841-74250	1		Pulley, Fan
12	KB-01754-50612	4		Bolt, Flange
13	KB-15861-74280	1	/P	Pulley, Fan Drive
14	KB-15881-91030	1		Bolt
15	KB-15881-97010	1	/P	V-Belt



Battery, Battery Tray & Electrical Components

Ref #	Part Number	Qty	S/P/F	Description
1	703-1892	1		Tray Assy, Battery
	710-0751	2	/P	Screw, Hex Cap, 1/4-20 X .62 Lg GR5
	736-0329	2	S	Washer, Lock, 1/4
	712-3006	2	/P	Nut, Hex, 1/4-20 GR5
2	725-3182	1		Harness, Main (Serial No. 864,500 & below)
	725-0157	3	/P	Tie, Self Clinching Cable
	726-0154	2	S	Tie, Push Mount Cable
	726-3049	2	S	Tie, Cable
3	725-3161A	2	S	Bulb, Head Lamp
4	KB-19267-64600	1	S	Rectifier
5	710-0106	2	/P	Screw, Hex Cap, 1/4-20 X 1.25 Lg
6	736-0329	2	S	Washer, Lock, 1/4
7	712-3006	3	/P	Nut, Hex, 1/4-20 GR5
8	725-1375	1	S	Relay
9	710-0473	2	/P	Screw, Truss Mach, #10-24 X .50 Lg
10	736-0147	3	S	Washer, External, #10
11	712-0121	3	S	Nut, Hex, #10-24
12	725-3165	1	S	Indicator, Voltage
13	KB-15694-65990	1		Timer, Light
14	736-0270	1	/P	Washer, Bell, .265 X .75 X .062 Thk
15	703-1823	2	S	Hold Down, Battery
16	736-0275	2	S	Washer, Flat, .34 X .68 X .062 Thk
17	710-3103	2	/P	Screw, Hex Cap, 5/16-18 X 2.0 Lg
18	729-0209	2		Clip, Fuse Holder Mtg
19	729-0207	2		Holder, Fuse
20	725-1381	1	S	Fuse, 20 Amp (Left side)
21	731-3105	1		Tray, Battery
22	725-1543	1	/P	Fuse, 30 Amp (Right side)
23	725-3174	1	S	Battery
24	759-3653	1		Cap, Battery Vent
	759-3654	1		Tube, Battery Vent
25	725-3199	1	S	Cable, Positive Battery
	726-0215	1		Strap, Tie
26	725-3192	1		Cable, Negative Battery
27	725-3210	1		Cable, Ground
28	710-0751	1	/P	Screw, Hex Cap, 1/4-20 X .62 Lg GR5
29	725-3246	1		Harness, Main Wire (Serial No. 864,501 & above OR older tractors converted to round sealed beam headlamps)
	725-0157	3	/P	Tie, Self Clinching Cable
	726-0154	2	S	Tie, Push Mount Cable
	726-3049	2	S	Tie, Cable
30	710-0748	6	/P	Screw, Pan Hd Tapp, #12 x .50 Lg
31	703-2759	2	S	Plate, Headlamp Mounting
32	725-0222	2	S	Headlamp, Sealed Beam