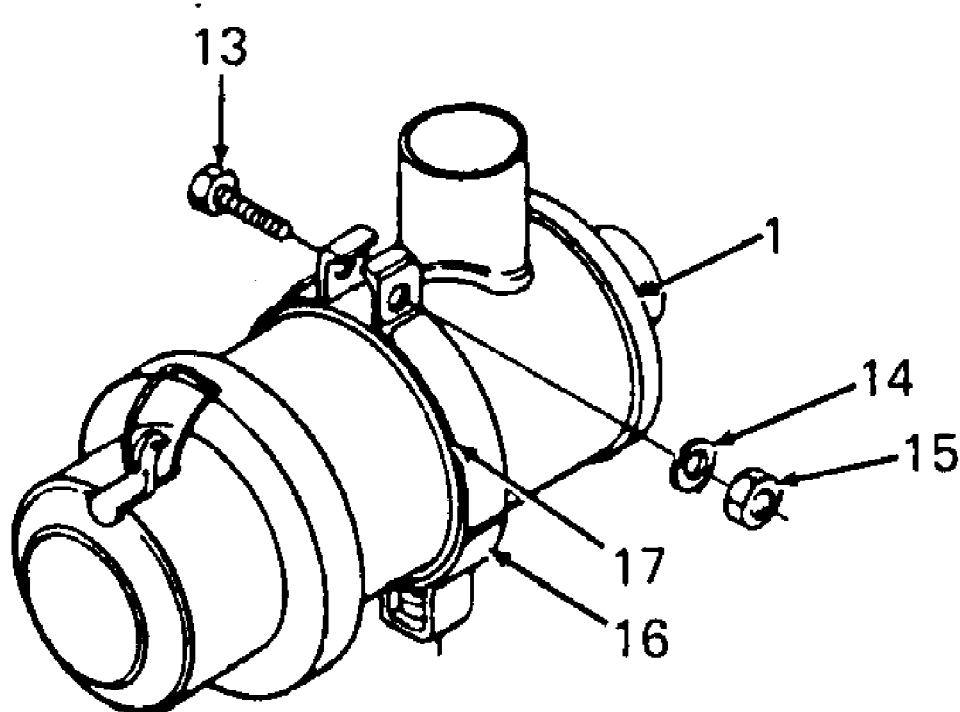
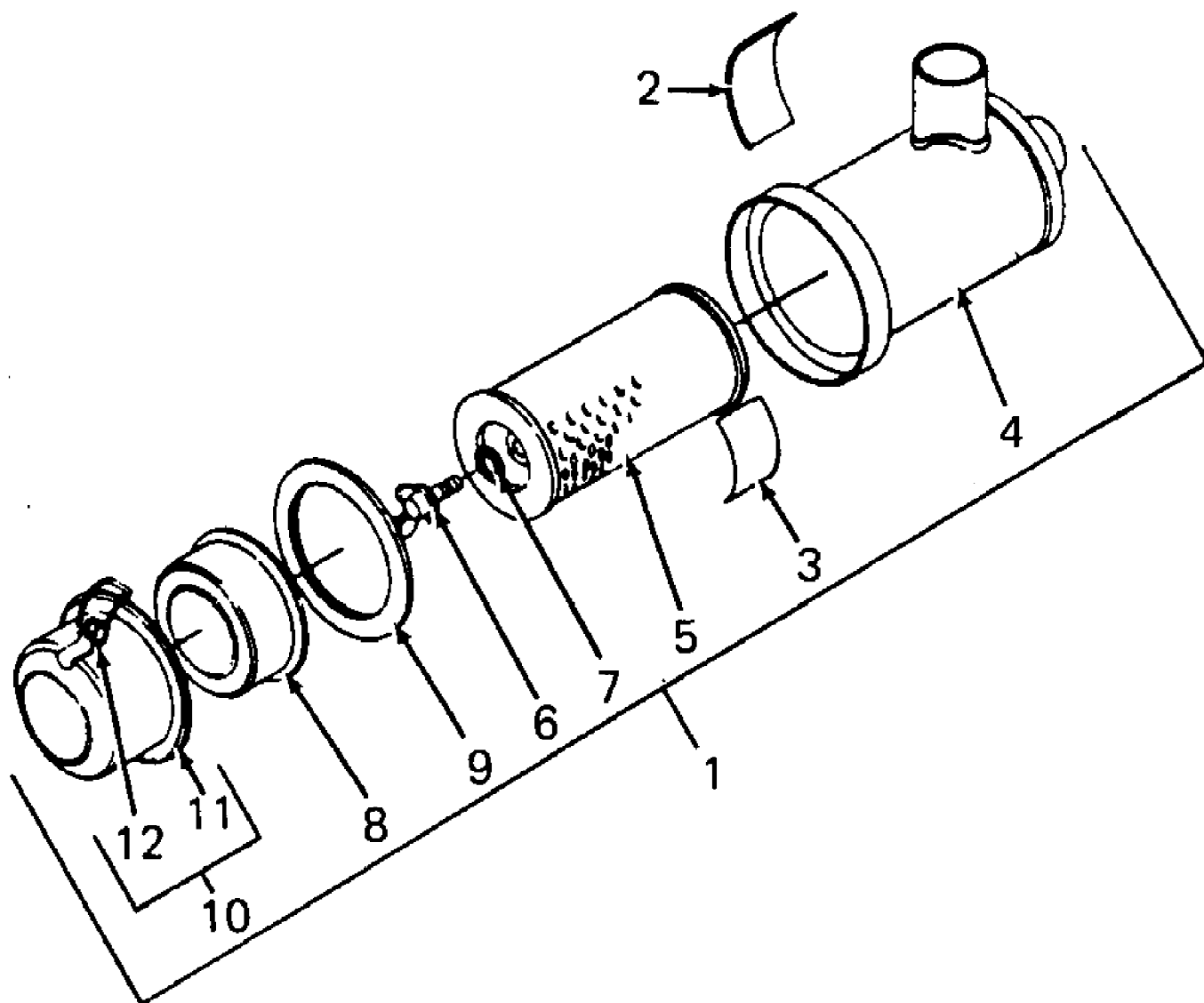


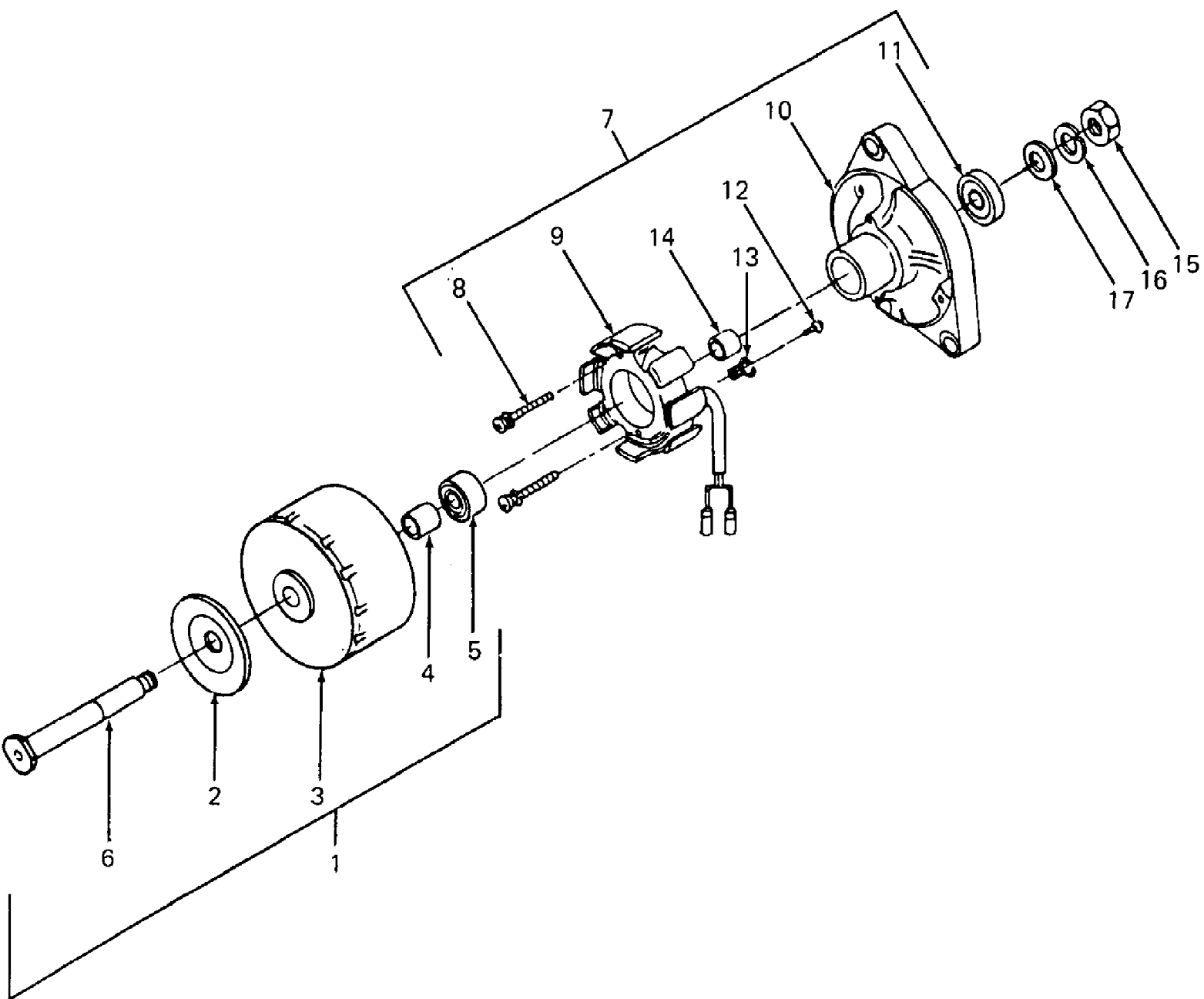
1772 S/N 756,300 - 799,999
Air Cleaner & Connections

Ref #	Part Number	Qty	S/P/F	Description
1	KB-19488-11010	1		Cleaner Assy, Air (For Components See Separate Listing)
2	703-0953	1		Intake Assy, Air
3	703-0983	1		Bracket, Air Cleaner Support
4	735-3021	1		Pad, Isomount
5	710-3137	2		Screw, Hex Cap, M8-1.25 X 20 mm Lg GR5
6	736-0119	2	S	Washer, Lock, 5/16
7	736-3007	2		Washer, Int Ext Lock, 5/16 ID X .88 OD
8	726-3033	3		Clamp
9	735-3018	1		Hose, Air Intake



1772 S/N 756,300 - 799,999
Air Cleaner Assembly

Ref #	Part Number	Qty	S/P/F	Description
1	KB-19488-11010	1		Cleaner Assy, Air (Includes Ref No. 2 thru 10)
2		1		Label - Not Serviced Separately
3		1		Label - Not Serviced Separately
4		1		Body Assy, Air Cleaner (Not Serviced Separately)
5	KB-70000-11221	1	/P	Element, Air Cleaner
6	KB-15221-92620	1	/P	Bolt, Wing
7	KB-15221-94430	1		Washer
8	KB-15221-11410	1		Cover
9	KB-15221-11170	1	/P	Gasket, Air Cleaner Cover
10	KB-15241-11160	1	/P	Cover, Air Cleaner (Includes Ref No. 11 & 12)
11		1		Not Serviced Separately
12		1		Not Serviced Separately
13	KB-01222-50830	1		Screw, Hex Cap
14	KB-04512-50080	1	S	Washer, Spring
15	KB-02114-50080	1	/P	Nut, Hex
16	KB-15371-11252	1	/P	Band, Air Cleaner
17	KB-15371-11870	1		Cushion

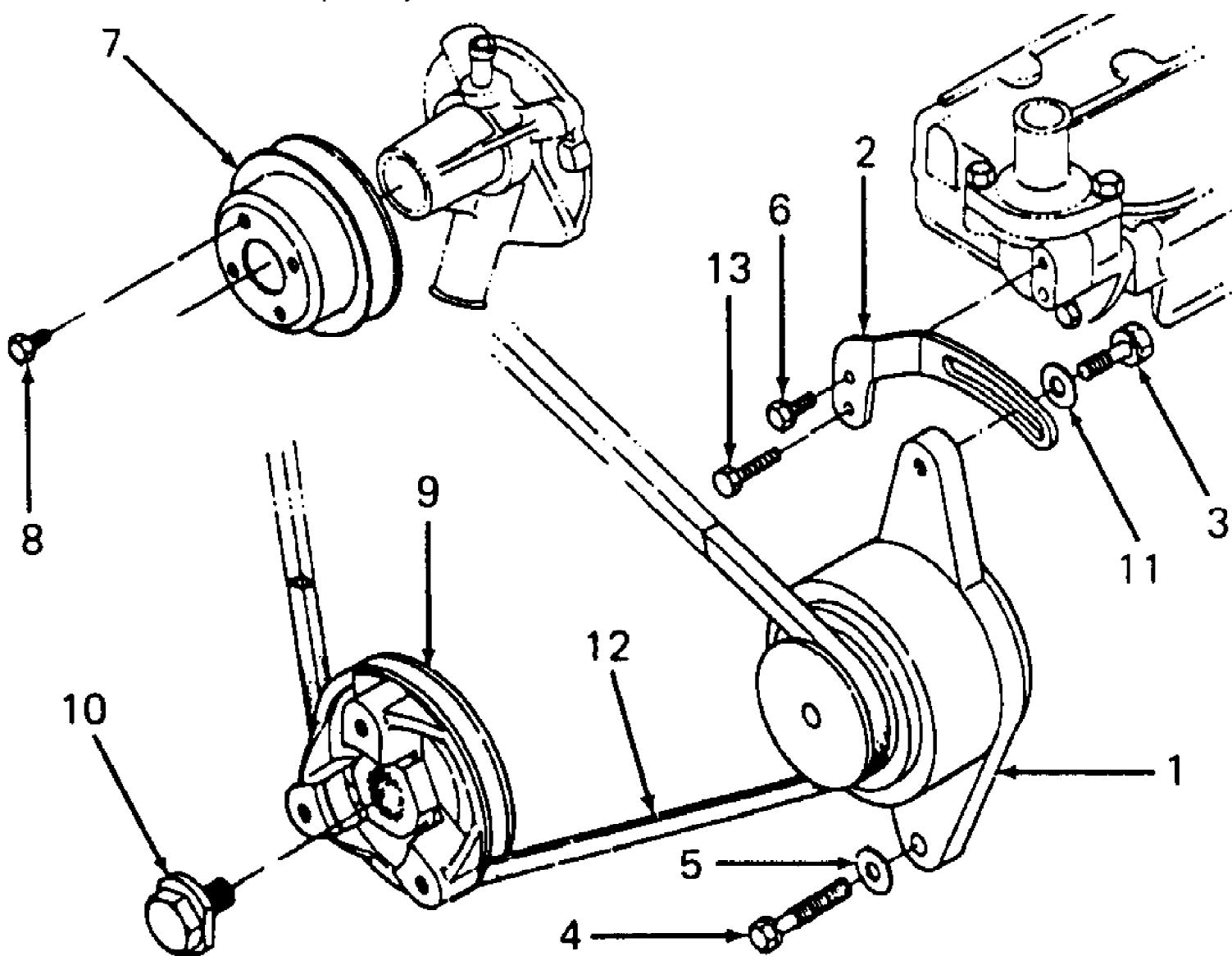


1772 S/N 756,300 - 799,999
Alternator Part 2

Page 6 of 117

Ref #	Part Number	Qty	S/P/F	Description
1	KB-15531-64122	1		Rotor Complete (Includes Ref No. 2, 3, 4, 5 & 6)
2	KB-15531-64110	1		Pulley
3	KB-15531-64040	1		Rotor
4	KB-15531-64140	1		Collar
5	KB-15531-74180	2	S	Bearing, Ball
6	KB-15531-74140	1		Shaft, Fan
7	KB-15531-64363	1		Stator Complete [Includes Ref No. 8 (Qty 2), 9, 10, 11, 12, 13 & 14]
8	KB-15261-93010	2		Screw, Round Head
9	KB-15531-64292	1	/P	Starter
10	KB-15531-64072	1	/P	Plate
11	KB-15531-74180	1	S	Bearing, Ball
12	KB-15531-93010	1		Screw, Round Head
13	KB-15531-64190	1		Clamp, Cord
14	KB-15261-64150	1		Collar
15	KB-15261-92030	1		Nut
16	KB-15261-94070	1		Washer, Spring
17	KB-15261-94020	1		Washer, Flat

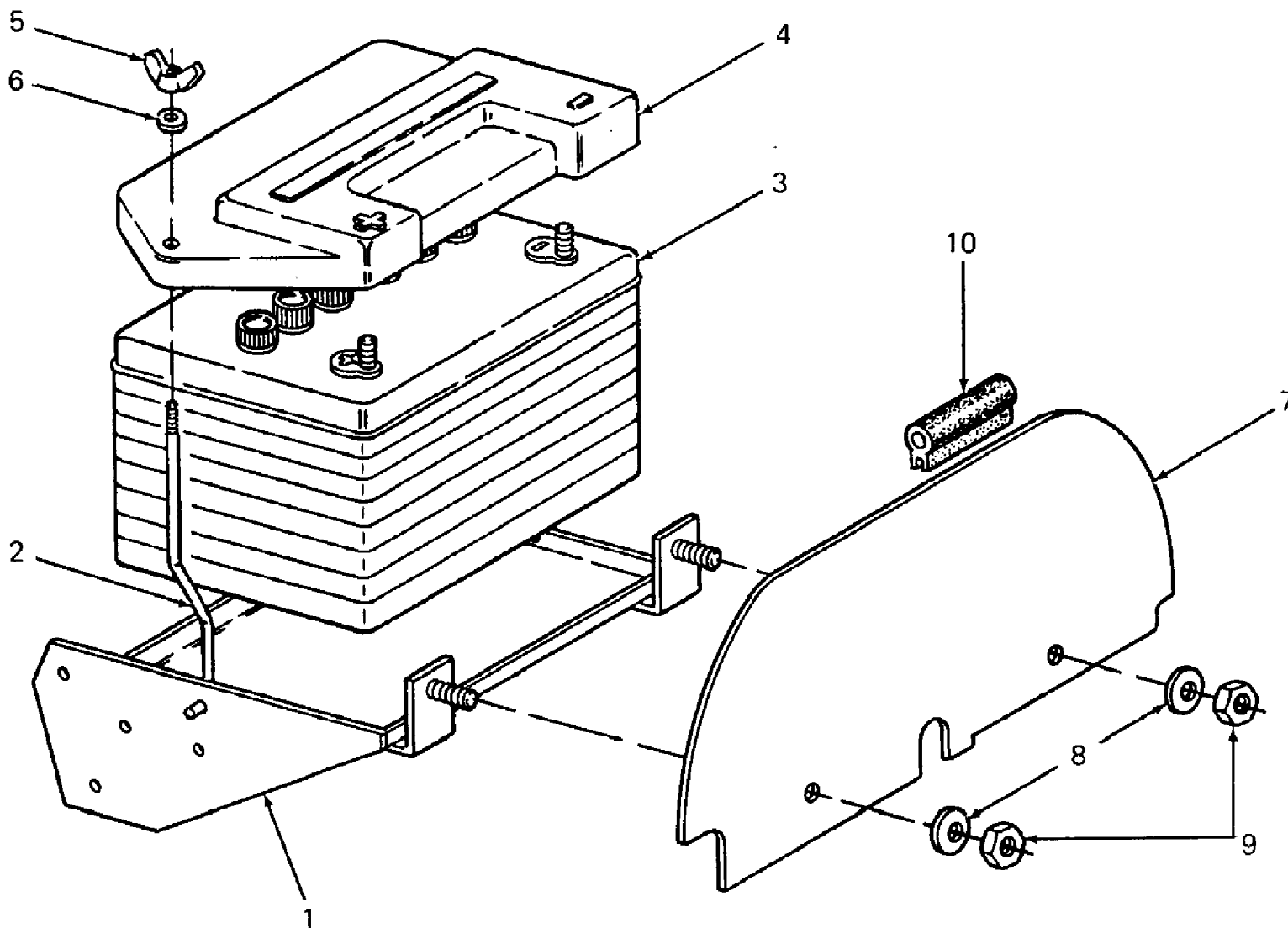
1772 S/N 756,300 - 799,999
Alternator, Water Pump Pulley & Belt



1772 S/N 756,300 - 799,999
 Alternator, Water Pump Pulley & Belt

Ref #	Part Number	Qty	S/P/F	Description
1	KB-15531-64013	1	S	Alternator (For Components See Alternator Breakdown)
2	KB-15841-64420	1	/P	Support, Alternator
3	KB-01123-50825	1		Screw w/Washer
4	KB-15841-91020	1	/P	Screw w/Washer
5	KB-04013-50080	1	/P	Washer, Flat
6	KB-01023-50616	1		Screw w/Washer
7	KB-15841-74250	1		Pulley, Water Pump
8	KB-01754-50610	4		Screw, Hex Washer Head
9	KB-15861-74280	1	/P	Pulley, Alternator Drive
10	KB-15881-91030	1		Screw
11	KB-04015-50080	1		Washer, Flat
12	KB-15841-97010	1	/P	V-Belt
13	KB-15841-91040	1		Screw w/Washer

1772 S/N 756,300 - 799,999
Battery Tray



1772 S/N 756,300 - 799,999

Page 10 of 117

Battery Tray

Ref #	Part Number	Qty	S/P/F	Description
1	703-0990	1		Tray, Battery
	710-0642	4	/P	Screw, Hex Wash Hd Tapp, 1/4-20 X .75 Lg
	736-3000	2		Washer, Flat, .281 X .75 X .105 Thk
	736-0329	2	S	Washer, Lock, 1/4
2	711-3142	2		Rod, Battery Hold Down
3	725-3133	1		Battery
4	759-3138	1		Cover, Battery w/Product Graphic
	777-4491	1		Product Graphic - Battery Cover Danger
5	712-3044	2		Nut, Wing, 1/4-20
6	736-0142	2	S	Washer, Flat, .281 X .50 X .063 Thk
7	703-1078	1		Baffle, Heat
8	736-0270	2	/P	Washer, Bell, .265 X .75 X .062 Thk
9	712-0107	2	S	Nut, Hex Patch Lock, 1/4-20
10	723-3050	1		Seal, Heat Baffle, 22.0 Lg