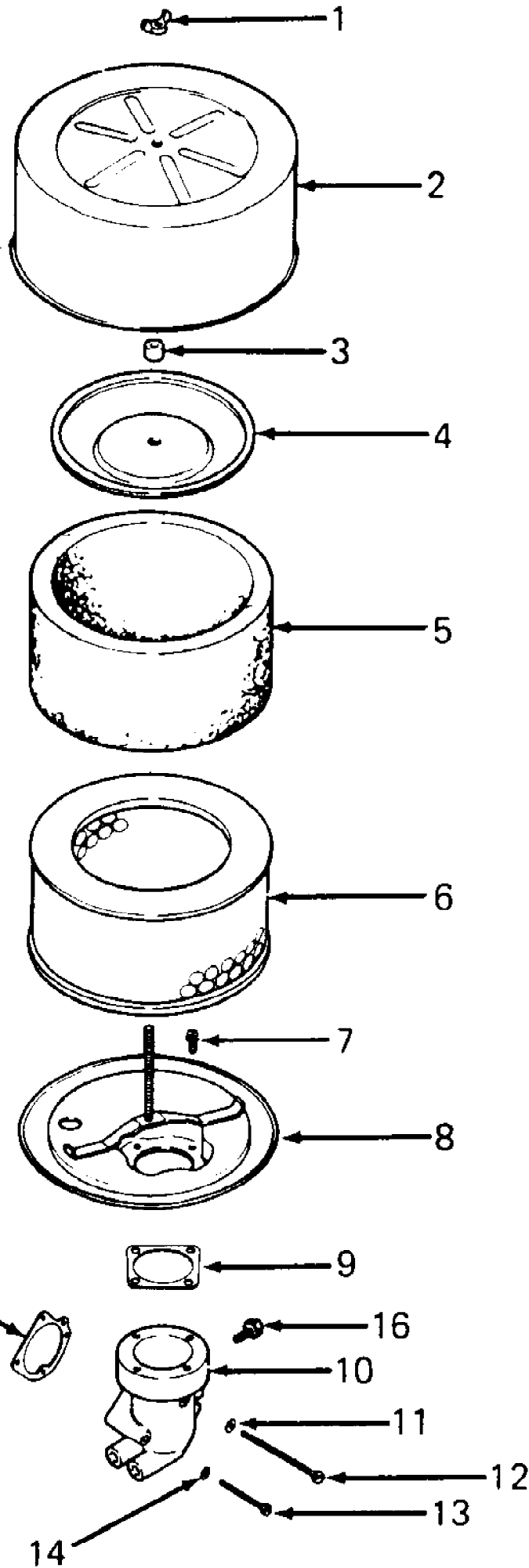


Air Cleaner

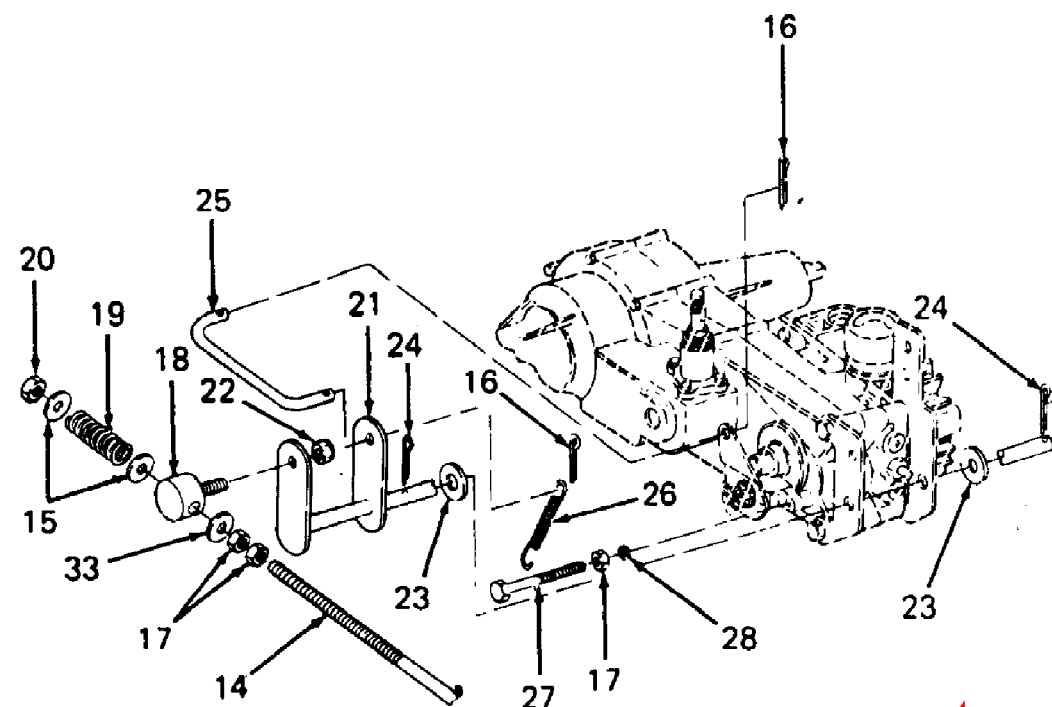
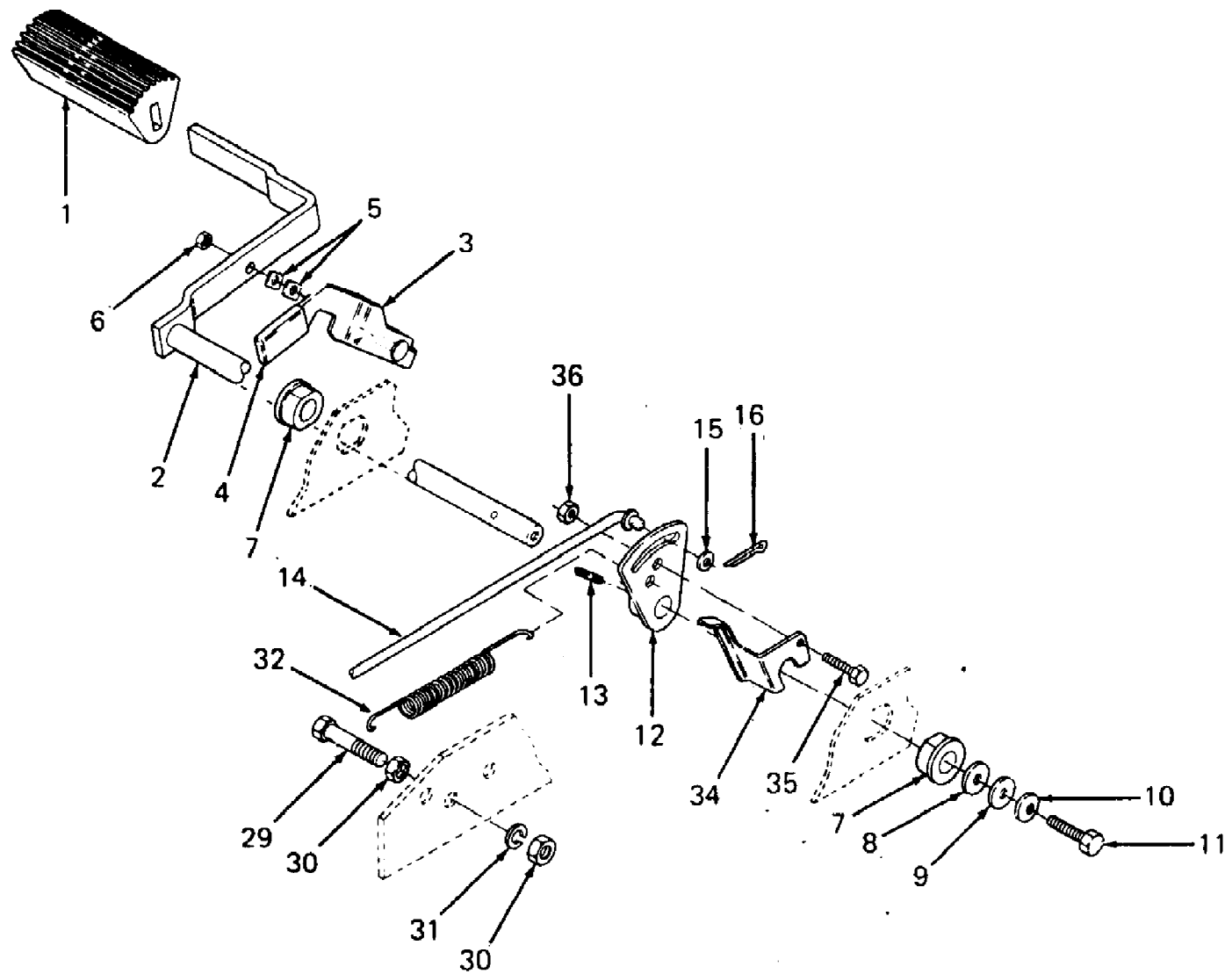


1730 S/N 207,401 - 239,300
Air Cleaner

Page 2 of 73

Ref #	Part Number	Qty	S/P/F	Description
1	KH-X-276-7	1	S	Nut, Wing
2	KH-45-082-01	1	/P	Cover, Air Cleaner
3	KH-231032	1	/P	Seal, Element Cover
4	KH-52-082-04	1	/P	Cover, Air Cleaner Element
5	KH-45-083-01	1	S	Precleaner
6	759-3359	1	S	Element
7	KH-X-67-98	4	S	Screw, Hex Wash Hd, 10-32 X 9/16
8	KH-52-094-06	1	/P	Base, Air Cleaner
9	KH-277093	1	/P	Gasket, Air Cleaner
10	KH-52-754-02	1		Elbow, Air Cleaner (Includes Ref No. 15 & 16)
11	KH-X-25-79	1		Washer, Plain, #10
12	KH-X-50-37	1	/P	Screw, Slted Pan Hd, 10-32 X 2-1/4
13	KH-X-50-57	2	S	Screw, Slted Pan Hd, 10-32 X 1-1/2
14	KH-X-22-9	2		Washer, I.T. #10
15	KH-25-041-06	1	/P	Gasket, Elbow
16	KH-52-086-11	1		Screw, Self Tapping, 1/4-20 X 5/8
	KH-25-113-01	1		Decal, Air Cleaner Instructions

1730 S/N 207,401 - 239,300
Brake Pedal & Connections



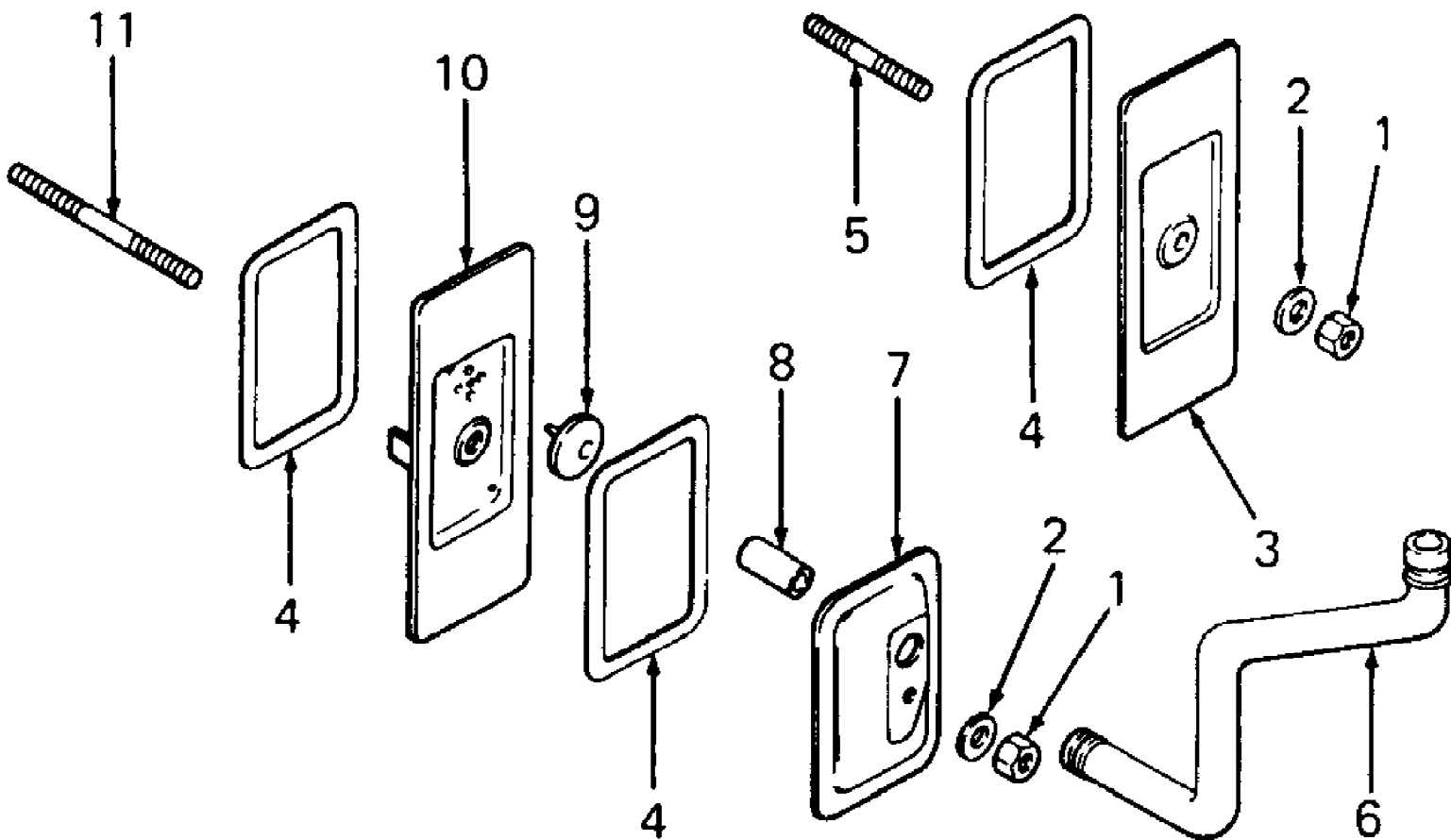
1730 S/N 207,401 - 239,300
Brake Pedal & Connections

Page 4 of 73

Ref #	Part Number	Qty	S/P/F	Description
1	735-0189	1		Pad, Foot
2	703-1532	1		Pedal, Brake
3	703-1393	1		Bracket, Parking Brake
4	720-3019	1	S	Grip, Parking Brake
5	736-3001	2	/P	Washer, Wave
6	712-0324	1	/P	Nut, Hex Insert Lock, 1/4-20
7	748-0209	2	S	Bearing, Flange
8	736-0156	AR	/P	Washer, Flat, .635 X 1.12 X .090 Thk
9	736-0176	1	S	Washer, Flat, .26 X .93 X .120 Thk
10	736-0270	1	/P	Washer, Bell, .265 X .75 X .062 Thk
11	710-3015	1	/P	Screw, Hex Cap, 1/4-20 X .75 Lg GR5
12	703-1558A	1		Cam, Brake
13	715-0134	1	S	Pin, Spiral Spring, 3/16 Dia X 1.5 Lg
14	747-3131	1		Rod, Brake
15	736-0173	3	/P	Washer, Flat, .281 X .73 X .063 Thk
16	714-0507	3	S	Pin, Cotter, 3/32 X .75 Lg
17	712-0298	3	S	Nut, Hex Jam, 1/4-20
18	711-0471	1		Ferrule
19	732-0330	1	S	Spring, Compression, .58 OD X 2.00 Lg
20	712-0291	1	S	Nut, Hex Center Lock, 1/4-20
21	703-1634	1		Shaft, Brake
22	712-0429	1	S	Nut, Hex Insert Lock, 5/16-18
23	736-0272	2	S	Washer, Flat, .510 X 1.0 X .060 Thk
24	714-0115	2	S	Pin, Cotter, 1/8 Dia X 1.0 Lg
25	747-3130	1		Link, Brake
26	732-0339	1	S	Spring, Extension
27	710-3201	1		Screw, Hex Patch, 1/4-20 X 1.5 Lg GR5
28	736-0329	1	S	Washer, Lock, 1/4
29	710-0194	1	/P	Screw, Hex Cap, 3/8-16 X 3.0 Lg
30	712-3017	2	S	Nut, Hex, 3/8-16 GR5
31	736-0169	1	S	Washer, Lock, 3/8
32	732-0429A	1	S	Spring, Extension, .50 OD X 3.97 Lg
33	736-0142	1	S	Washer, Flat, .281 X .50 OD X .063 Thk
34	703-1897	1		Bracket, Switch Actuator (For tractors w/serial no. 170,600 and above)
35	710-0289	1	S	Screw, Hex Cap, 1/4-20 X .50 Lg (For tractors w/serial no. 170,600 and above)
36	712-0107	1	S	Nut, Hex Patch Lock, 1/4-20 (For tractors w/serial no. 170,600 and above)

1730 S/N 207,401 - 239,300
Breather & Vent Assembly

Page 5 of 73



1730 S/N 207,401 - 239,300
Breather & Vent Assembly

Page 6 of 73

Ref #	Part Number	Qty	S/P/F	Description
1	KH-X-81-1	2		Nut, Hex, 1/4-20
2	KH-X-25-12	2	/P	Washer, Plain, 1/4
3	KH-52-096-18	1		Cover, #2 Cylinder Valve
4	KH-52-055-01	3	S	Gasket, Valve Cover
5	KH-X-352-39	1		Stud, #2 Cylinder Valve Cover, 1/4-20 X 2-1/4
6	KH-52-326-12	1		Hose, Breather
7	KH-52-096-08	1	/P	Cover, #1 Upper Cylinder Valve
8	KH-52-032-04	1	S	Seal, Breather
9	KH-52-462-01	1	S	Valve, Umbrella
10	KH-52-096-22	1	S	Cover, #1 Lower Cylinder Valve
11	KH-275220	1		Stud, #1 Cylinder Valve Cover, 1/4-20 X 3-1/4

