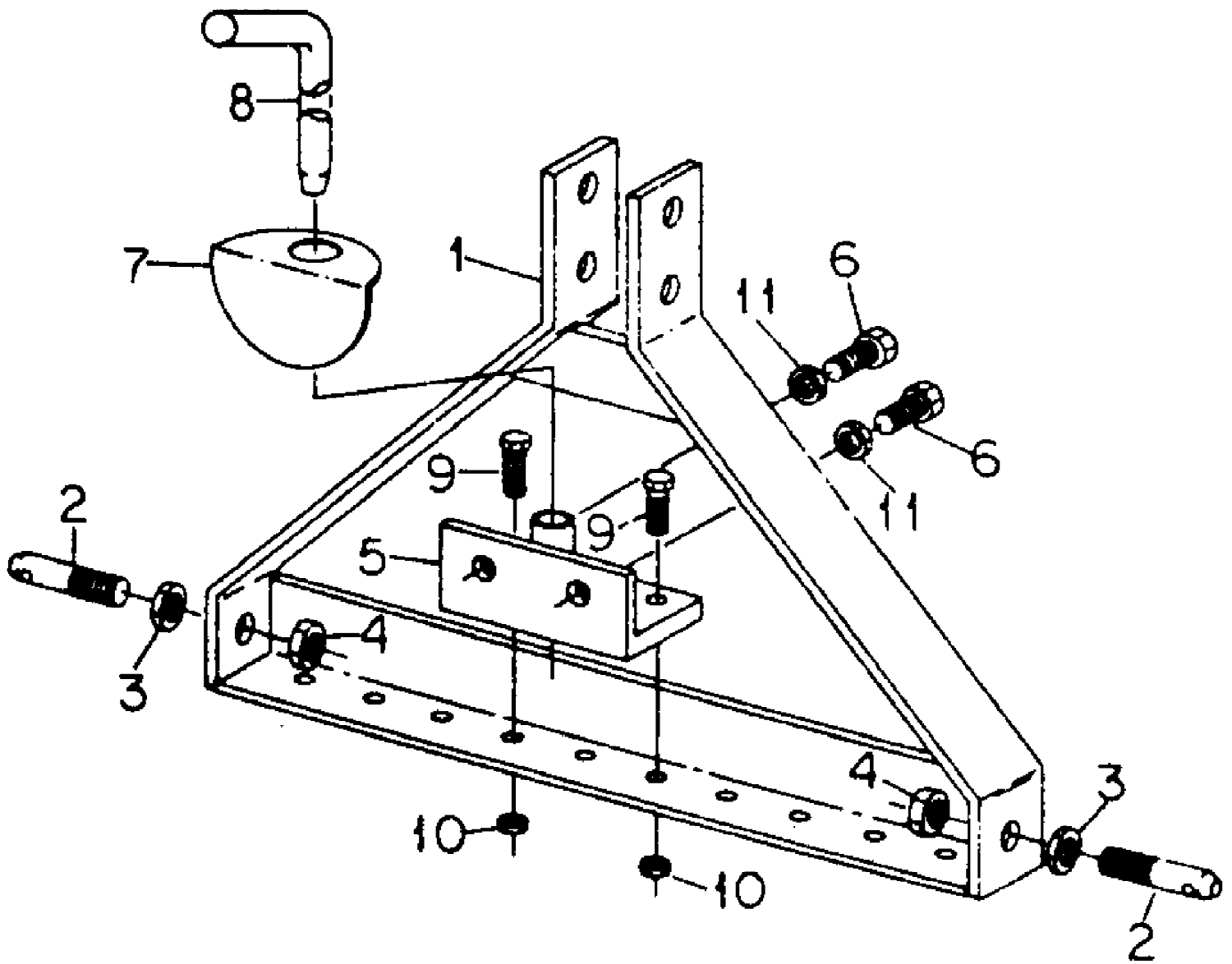


A-Frame Hitch Adpt-SN 720000 Up-To Mt Yoke Type Implts To

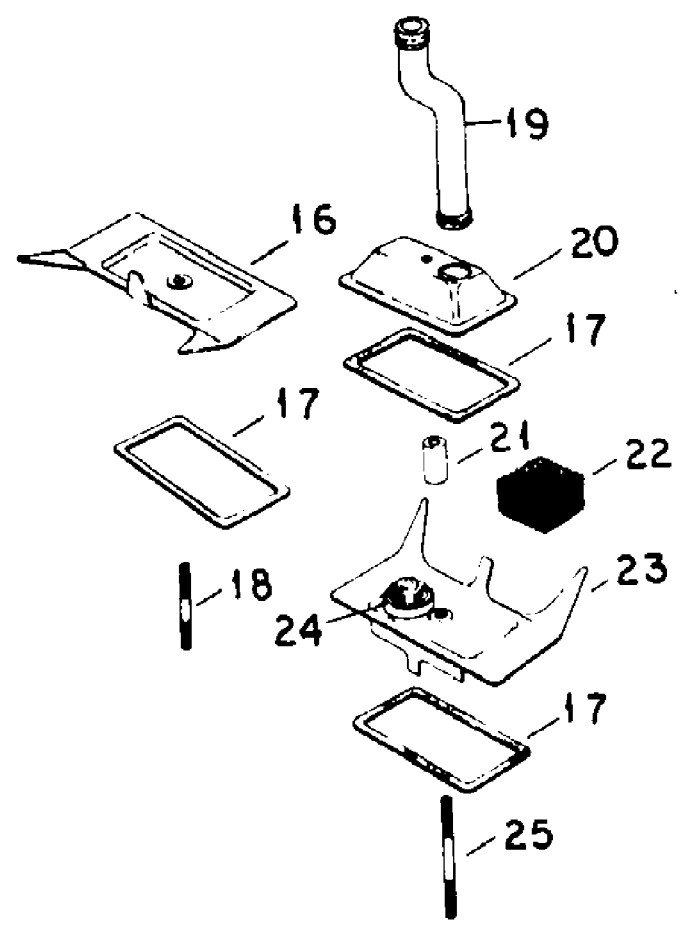
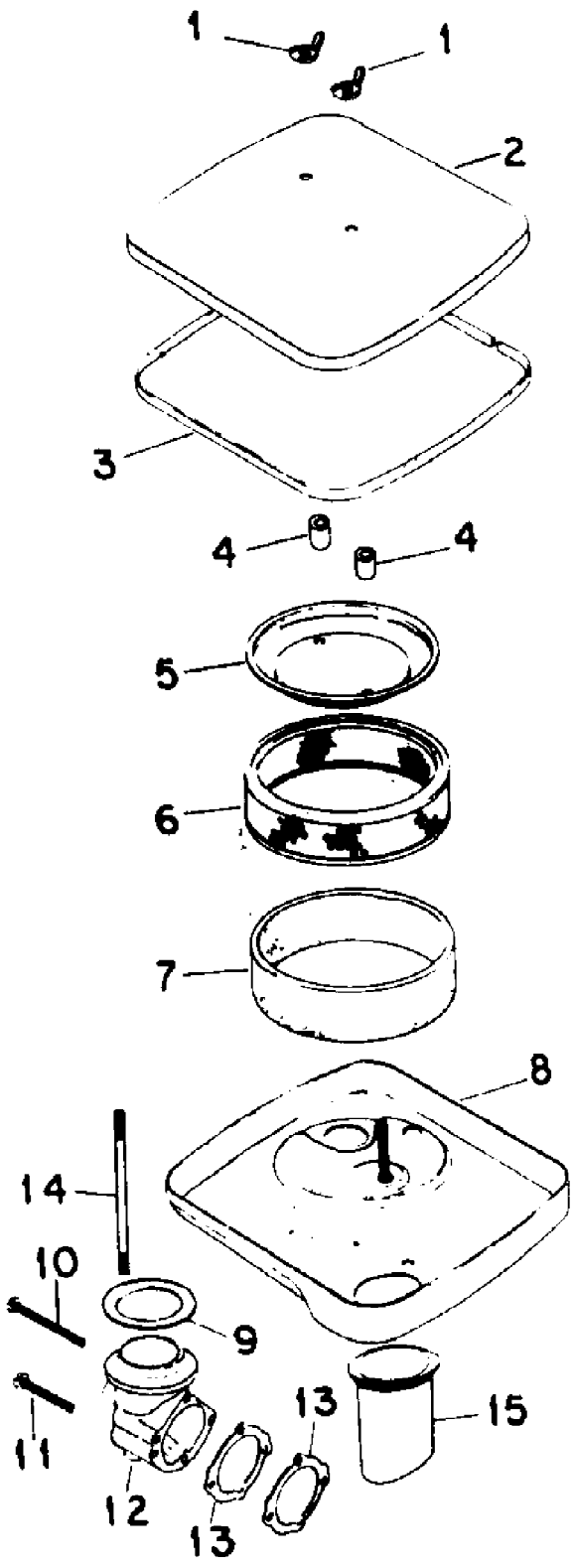


1711, 1712, 782, 784

A-Frame Hitch Adpt-SN 720000 Up-To Mt Yoke Type Implts To

Ref #	Part Number	Qty	S/P/F	Description
1		1		Adapter Pkg, Frame Hitch
2	IH-106998-C1	2		Pin
3	712-3015	2	S	Nut, 5/8 Jam Type 5
4		2		Nut, 5/8 Type 5 (Common Hardware, Purchase Locally)
5	~NLA	1		Adapter, Sleeve
6	BR-IM2032P	2		Bolt, 5/8 X 2 Type 5
7	BR-H-158	1		Plate, Stabilizer
8	BR-H-130P-01	1	S	Pin, Sleeve
9	710-3181	2	/P	Bolt, 1/2 X 1-1/2 Type 5
	736-0921	2	S	Washer, 1/2 Lock
10	712-0206	2	S	Nut, 1/2 Type 5
11	712-3015	2	S	Nut, 5/8 Jam Type 5
	BR-D-146P	2		Package, Quick Attachable Cotters

1711, 1712, 782, 784  
Air Cleaner & Breather-Tractors W/sn 669970 & Below



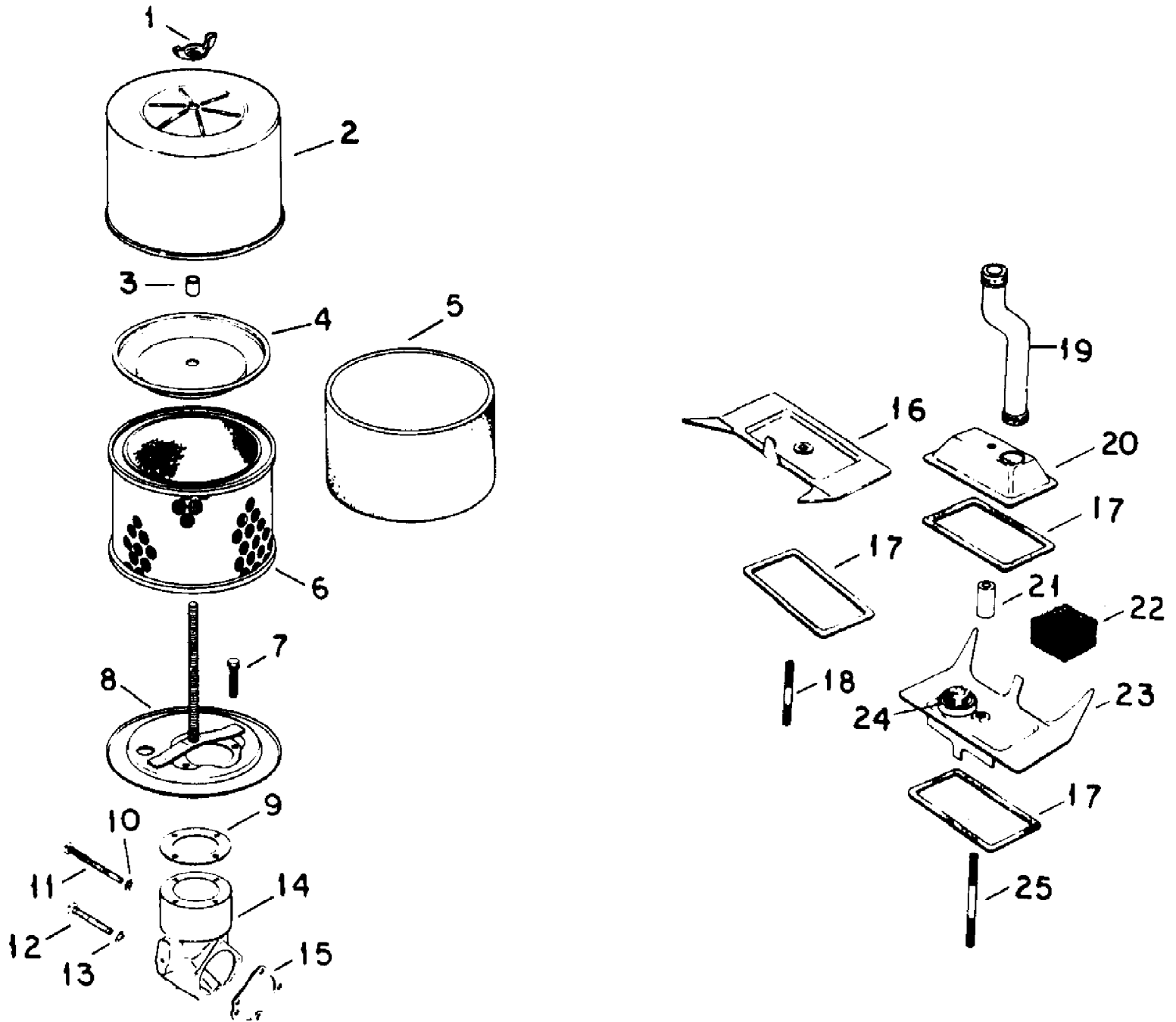
1711, 1712, 782, 784

Page 4 of 119

Air Cleaner &amp; Breather-Tractors W/sn 669970 &amp; Below

Ref #	Part Number	Qty	S/P/F	Description
1	KH-X-276-7	2	S	Nut, Wing, 1/4-20
2	KH-52-082-02	1	S	Cover, Air Cleaner
3	KH-52-032-01	1		Seal, Air Cleaner Cover
4	KH-231032	2	/P	Seal
5	KH-52-082-03	1		Cover, Air Cleaner Element
6	759-3547	1	S	Element, Air Cleaner
7	KH-52-083-01	1	S	Element, Precleaner
8	KH-52-201-07	1		Base, Air Cleaner
	IH-172427	1		Screw, 1/4 X 1/2 H/Hd Tap
9	KH-52-055-04	1		Gasket, Air Cleaner Base (Replaces IH-79320-C2)
10	KH-X-50-37	1	/P	Screw, 10-32 X 2-1/4 Slit Pn Hd
	IH-131015	1		Washer, .188 X .438 X .036
11	KH-X-50-57	2	S	Screw, 10-32 X 1-1/2 Slit Pn Hd
	KH-X-22-9	2		Washer, No. 10 Int Tooth Lock
12	IH-79310-C1	1		Elbow, Air Cleaner
13	KH-277069	1	S	Gasket, Elbow
14	KH-X-352-38	1		Stud
15	KH-47-134-02	1	/P	Tube, Air Intake
16	KH-52-096-02	1		Cover, Valve
17	KH-52-055-01	3	S	Gasket, Cover
18	KH-X-352-39	1		Stud
	KH-X-25-12	1	/P	Washer, 1/4 Pln, Copper
	712-3006	1	/P	Nut, 1/4 Type 5
19	KH-52-326-06	1	/P	Hose, Breather
20	KH-52-096-08	1	/P	Cover, Valve
21	KH-52-032-04	1	S	Seal, Breather
22	KH-231419	1	S	Filter, Breather
23	KH-52-755-09	1	S	Kit, Breather (Includes Ref. No. 24)
24	KH-52-462-01	1	S	Valve, Umbrella
25	KH-275220	1		Stud
	KH-X-25-12	1	/P	Washer, 1/4 Pln, Copper
	712-3006	1	/P	Nut, 1/4 Type 5

1711, 1712, 782, 784  
Air Cleaner & Breather-Tractors W/sn 779971 & Up

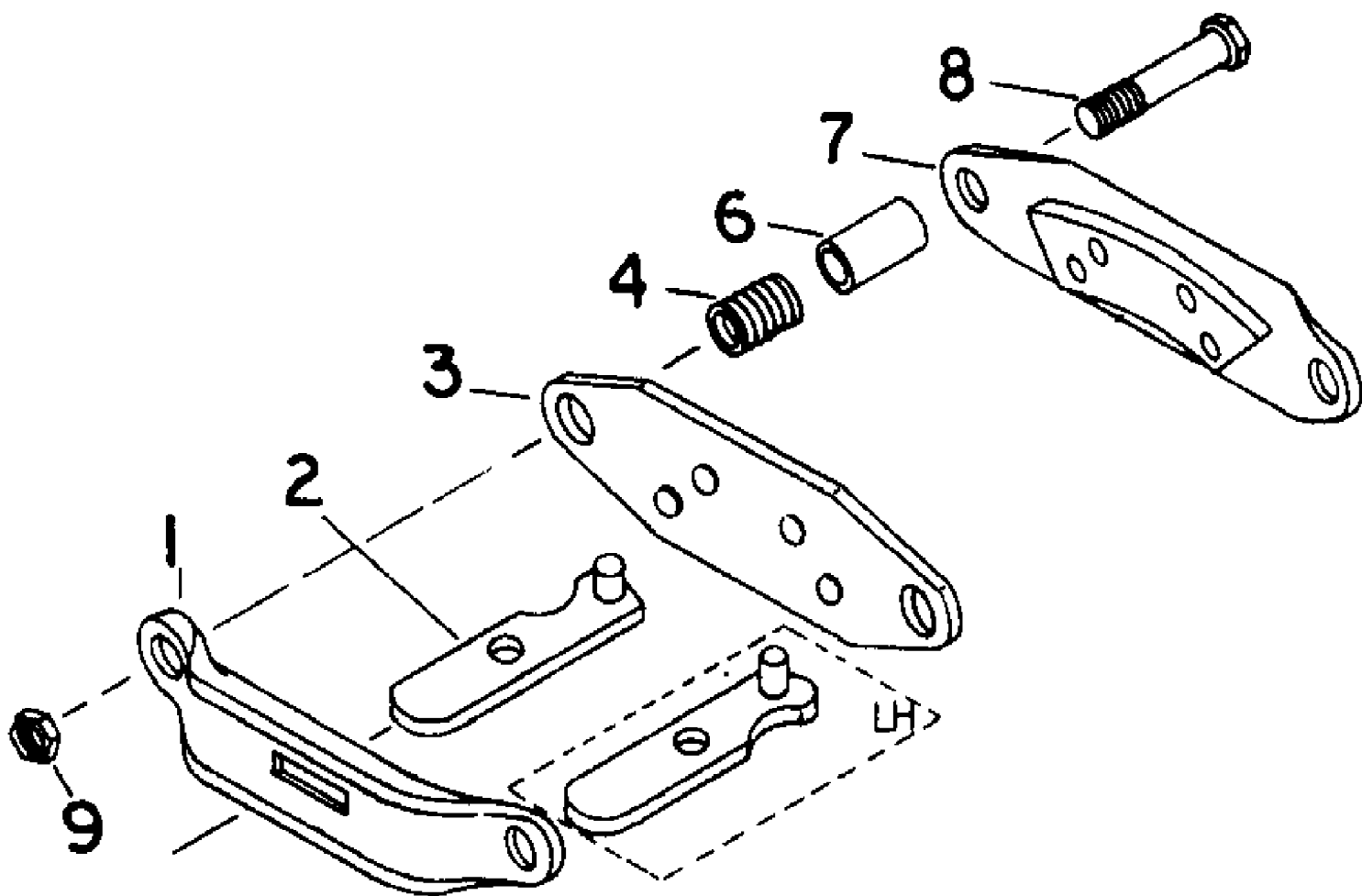


1711, 1712, 782, 784

Page 6 of 119

Air Cleaner & Breather-Tractors W/sn 779971 & Up

Ref #	Part Number	Qty	S/P/F	Description
1	KH-X-276-7	1	S	Nut, Wing, 1/4-20
2	KH-45-082-01	1	/P	Cover, Air Cleaner
3	KH-231032	1	/P	Seal
4	KH-52-082-04	1	/P	Cover, Air Cleaner Element
5	KH-45-083-01	1	S	Element, Precleaner
6	759-3359	1	S	Element, Air Cleaner
7	KH-X-67-65	4		Screw, No. 10NF X 1/2 H/Whd Tap
8	KH-52-094-06	1	/P	Base, Air Cleaner
9	KH-277093	1	/P	Gasket, Air Cleaner Base
10	IH-131015	1		Washer, .188 X .438 X .036
11	KH-X-50-37	1	/P	Screw, 10-32 X 2-1/4 Slit Pn Hd
12	KH-X-50-57	2	S	Screw, 10-32 X 1-1/2 Slit Pn Hd
13	KH-X-22-9	2		Washer, No. 10 Int Tooth Lock
14	IH-79310-C1	1		Elbow, Air Intake (Tractors w/Serial No. 669970 and Below)
	KH-52-054-15	1	S	Elbow, Air Intake (Tractor w/Serial No. 669971 to 686554)
	KH-52-054-15	1	S	Elbow, Air Intake (Tractor w/Serial No. 686555 and Above)
15	KH-277069	1	S	Gasket, Elbow
16	KH-52-096-02	1		Cover, Valve
17	KH-52-055-01	3	S	Gasket, Cover
18	KH-X-352-39	1		Stud, 1/4-20 X 2-1/4
	KH-X-25-12	1	/P	Washer, 1/4 Pln, Copper
	KH-X-81-1	1		Nut, 1/4 Type 5
19	KH-52-326-05	1	S	Hose, Breather
20	KH-52-096-08	1	/P	Cover, Valve
21	KH-52-032-04	1	S	Seal, Breather
22	KH-231419	1	S	Filter, Breather
23	KH-52-755-09	1	S	Kit, Breather (Includes Ref. No. 24)
24	KH-52-462-01	1	S	Valve, Umbrella
25	KH-275220	1		Stud, 1/4-20 X 3-1/4
	KH-X-25-12	1	/P	Washer, 1/4 Pln, Copper
	KH-X-81-1	1		Nut, 1/4 Type 5

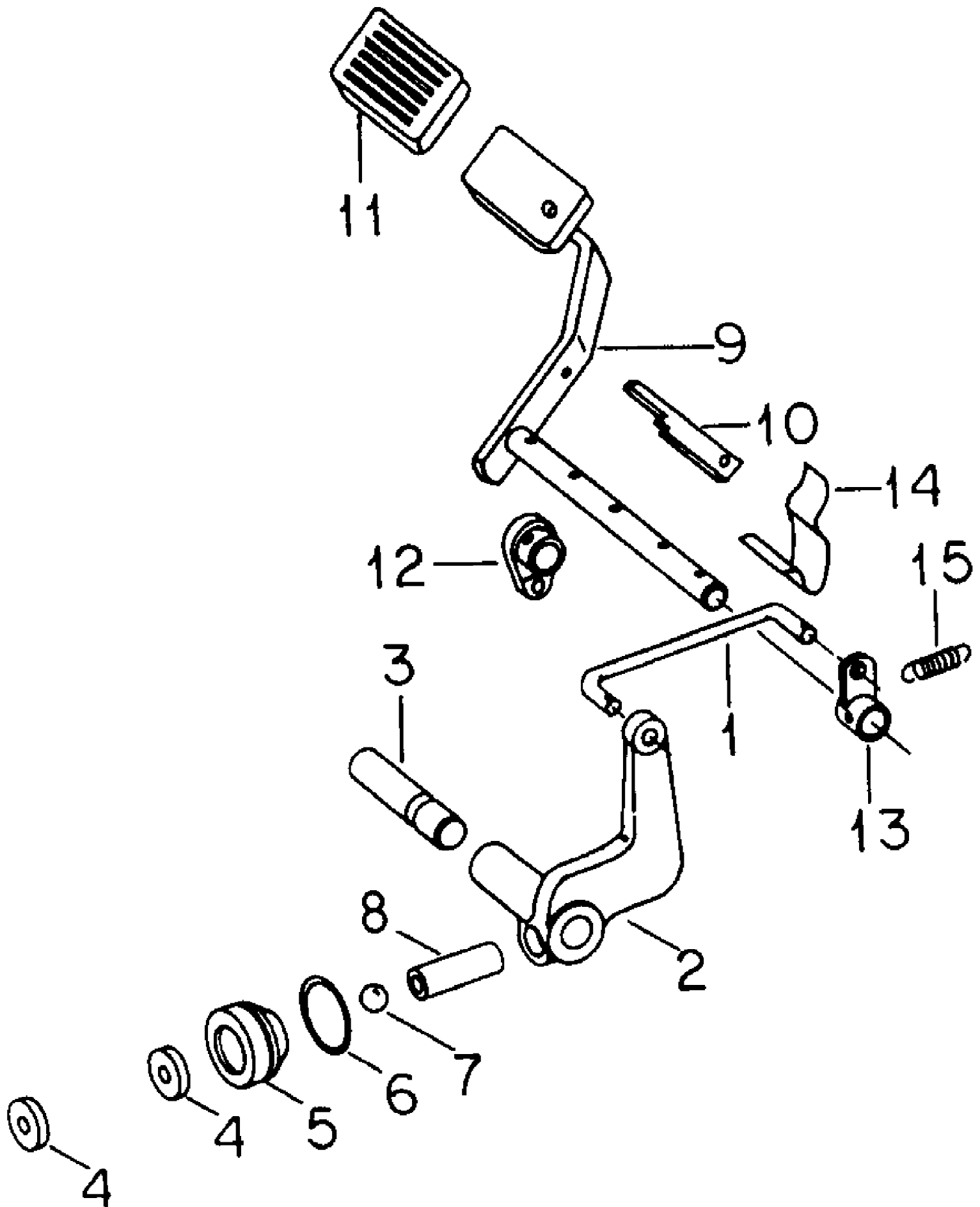


1711, 1712, 782, 784

Brake & Conns-Brake Cal Assy-SN 720000 Up

Ref #	Part Number	Qty	S/P/F	Description
	IH-106904-C91	1		Caliper Assy, Brake
1	~NLA	1		Bracket, Cam
2	IH-223384-C2	1		Cam
3		1		Plate, Flat Pad Holder (Furnish Relining Kit IH-107148-C91)
4	IH-223388-C1	2		Spring, Compression
6		2		Bushing (Furnish Relining Kit IH-107148-C91)
7		1		Plate, Ribbed Pad Holder (Furnish Relining Kit IH-107148-C91)
	IH-37508-D	8		Rivet, 9/64 X 3/8 Brs Pln 150D C/Hd S/T
8	710-0331	2	/P	Bolt, 3/8-NF X 2-1/4 Type 5
9	712-0214	2	S	Nut, 3/8-NF P/T Lock Type 5
	IH-107148-C91	1		Kit, Brake Relining Plate Flat Pad Holder Plate, Ribbed Pad Holder Bushing





Ref #	Part Number	Qty	S/P/F	Description
1	747-3015	1		Rod, Brake
	714-0474	2	S	Pin, 1/8 X 3/4 Pln Cot
	736-0140	2	S	Washer, .406 X .812 X .051
2	IH-394033-R1	1		Lever, Brake
	~NLA	1		Screw, 3/8 X 1-3/4 PLN O/PT Sq/Hd Set
	712-0342	1	/P	Nut, 3/8 Jam Type 5
3	IH-394032-R1	1		Pin, Brake Pivot
4	IH-384719-R1	2	S	Disc, Brake Lining
5	IH-384720-R2	1		Retainer, Brake Lining
6	IH-378031-R1	1	/P	O-Ring, 1-3/16 X 3/32 Class 5
7	IH-17018-R1	1		Ball, 9/16 Steel
8	IH-394031-R1	1		Pin, Brake Push
9	703-0845A	1		Pedal Assy, Brake
10		1		Ratchet (Order Kit 759-3127)
	~NLA	1		Rivet, 1/4 X 11/16 F/HD Solid
	736-3001	1	/P	Washer, Spring
11	724-3000	1	S	Pad, Pedal
12	719-3000	1	S	Lever, Neutral Return
13	703-0163	1		Arm Assy, Brake
14	732-3000	1	S	Spring, Switch Operating (Serial Number 716387 and Below)
	732-3039A	1		Spring, Switch Operating (Serial Number 716388 and Above)
	726-3000	1	/P	Nut, Spring
	715-3000	3	S	Pin, 1/4 X 1-3/8 Hvy Cld Spr
15	732-3010	1	S	Spring, Return
	759-3127	1		Kit, Brake Lock (Replaces Ratchet 703-0006) Ratchet Nut Washer, Spring