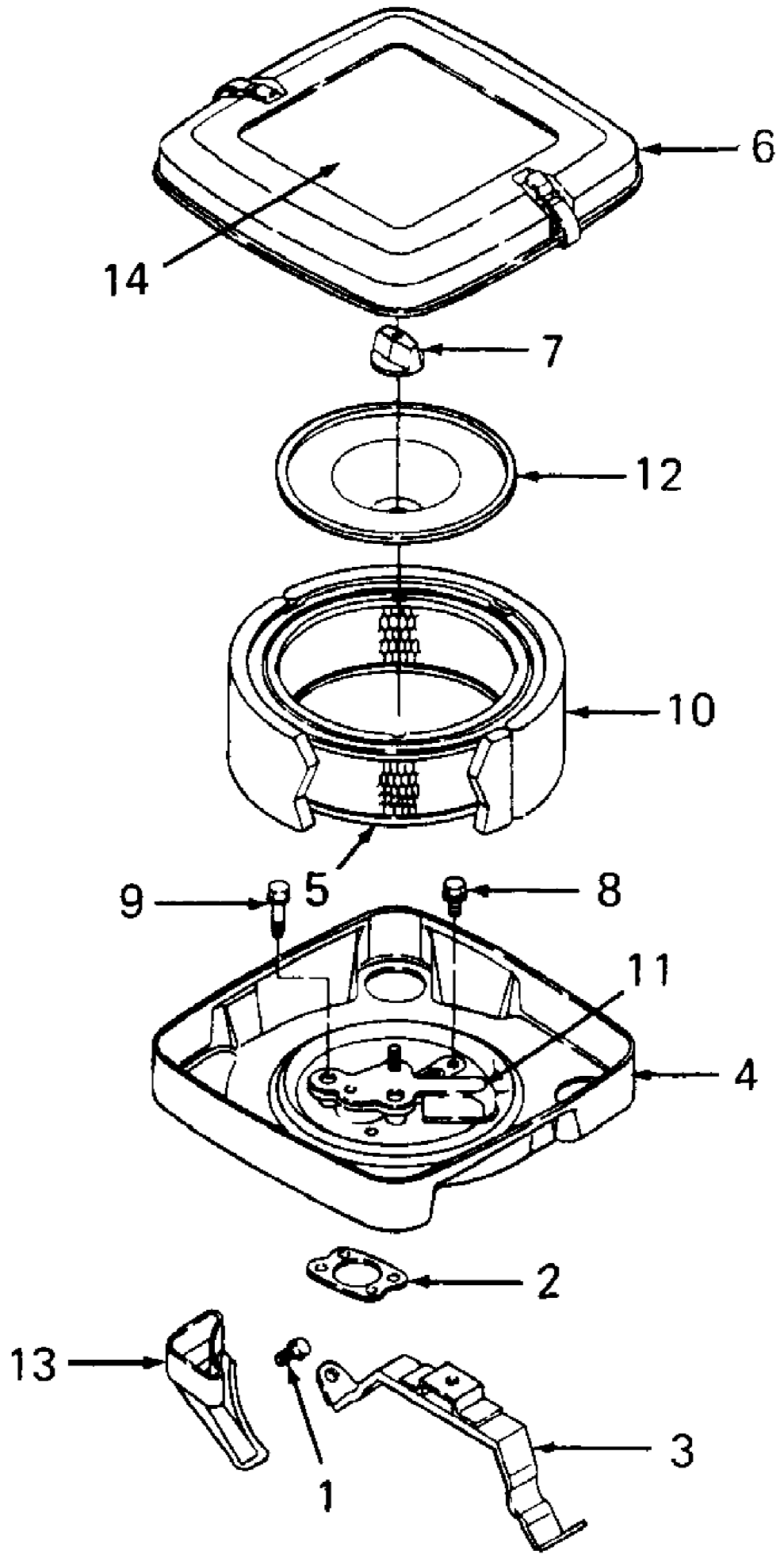
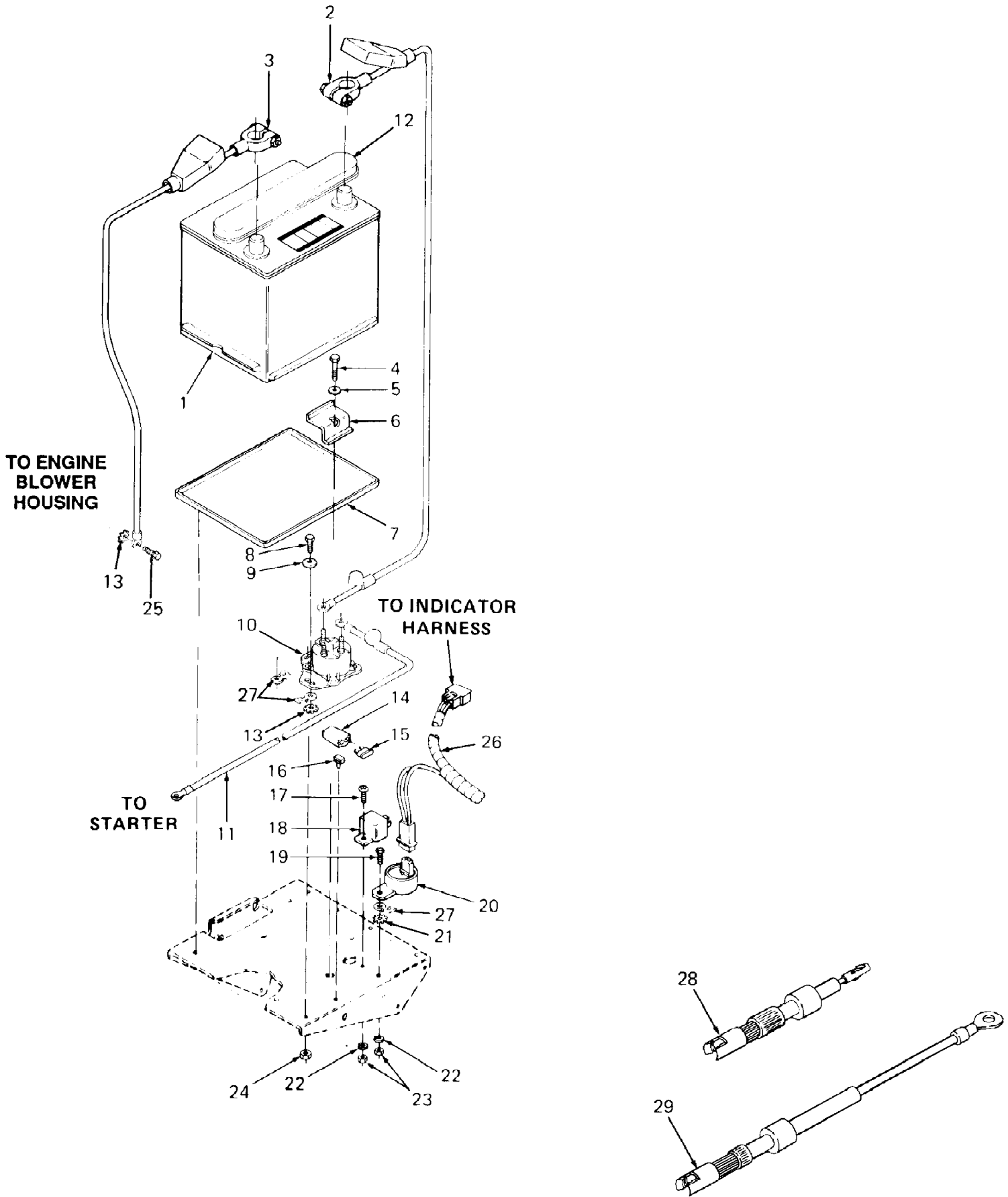


Air Cleaner



1641 S/N 821,060 - 880,000
Air Cleaner

Ref #	Part Number	Qty	S/P/F	Description
1	BS-805406	2	S	Screw, Sems
2	BS-805655	1	S	Gasket, Air Cleaner
3	BS-807796	1	S	Bracket, Air Cleaner
4	BS-807857	1	S	Base, Air Cleaner
5	BS-394018	1	S	Cartridge, Air Cleaner
6	BS-807862	1	S	Cover, Air Cleaner
7	BS-491875	1	S	Knob, Air Cleaner
8	BS-805406	1	S	Screw, Sems
9	BS-805057	1	S	Screw, Sems
10	BS-271271	1	S	Element, Foam
11	BS-807797	1	S	Shield Assy
12	BS-805631	1	S	Plate, Air Cleaner
13	BS-805632	1	S	Tube, Air Inlet
14	779-3602	1		Label, Vanguard Engine

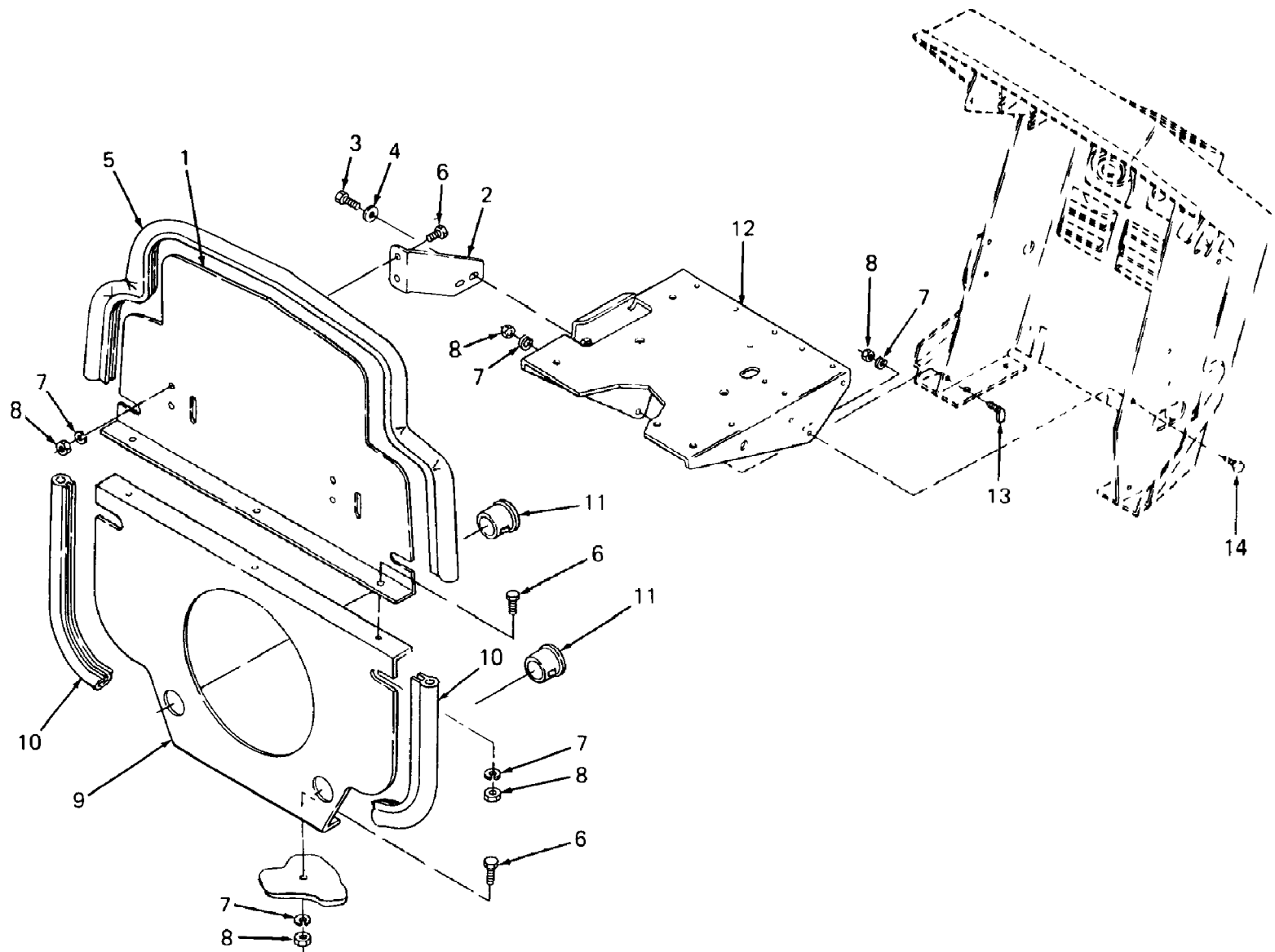


1641 S/N 821,060 - 880,000
Battery & Electrical Components

Page 4 of 90

Ref #	Part Number	Qty	S/P/F	Description
1	725-3174	1	S	Battery
2	725-3197	1	S	Cable, Positive Battery
3	725-3198	1		Cable, Negative Battery
4	710-3083	1	/P	Screw, Hex Cap, 5/16-18 X 1.38 Lg
5	736-0275	1	S	Washer, Flat, .34 X .68 X .062 Thk
6	703-1823	1	S	Hold Down, Battery
7	731-3105	1		Tray, Battery
8	710-0751	2	/P	Screw, Hex Cap, 1/4-20 X .62 Lg GR5
9	736-0270	2	/P	Washer, Bell, .265 X .75 X .062 Thk
10	725-1426	1	S	Solenoid
	736-0119	2	S	Washer, Lock, 5/16
	712-3010	2	S	Nut, Hex, 5/16-18 GR5
11	725-3206	1	S	Cable, Starter
12	759-3653	1		Cap, Battery Vent
	759-3654	1		Tube, Battery Vent
13	736-3006	2	/P	Washer, Int-Ext, 1/4
14	729-0207	1		Holder, Fuse
15	725-1381	1	S	Fuse, 20 Amp
16	729-0209	1		Clip, Fuse Holder Mtg
17	710-0473	1	/P	Screw, Truss Mach, #10-24 X .50 Lg
18	725-1375	1	S	Relay
19	710-0473	1	/P	Screw, Truss Mach, #10-24 X .50 Lg
20	725-3165	1	S	Indicator, Voltage
21	736-0147	1	S	Washer, External, #10
22	736-0722	2	S	Washer, Lock, #10
23	712-0121	2	S	Nut, Hex, #10-24
24	712-0291	2	S	Nut, Hex Center Lock, 1/4-20
25	BS-805406	1	S	Screw, Sems
26		1		Main Harness (Refer to Electrical)
27	725-3147	3		Lug, Quick Connect
28	759-3675	1		Diode Assy (Located in upper connector block of main harness)
29	759-3689	1	S	Diode Assy (Located in upper connector block of main harness)

1641 S/N 821,060 - 880,000
Battery Tray & Bulkhead

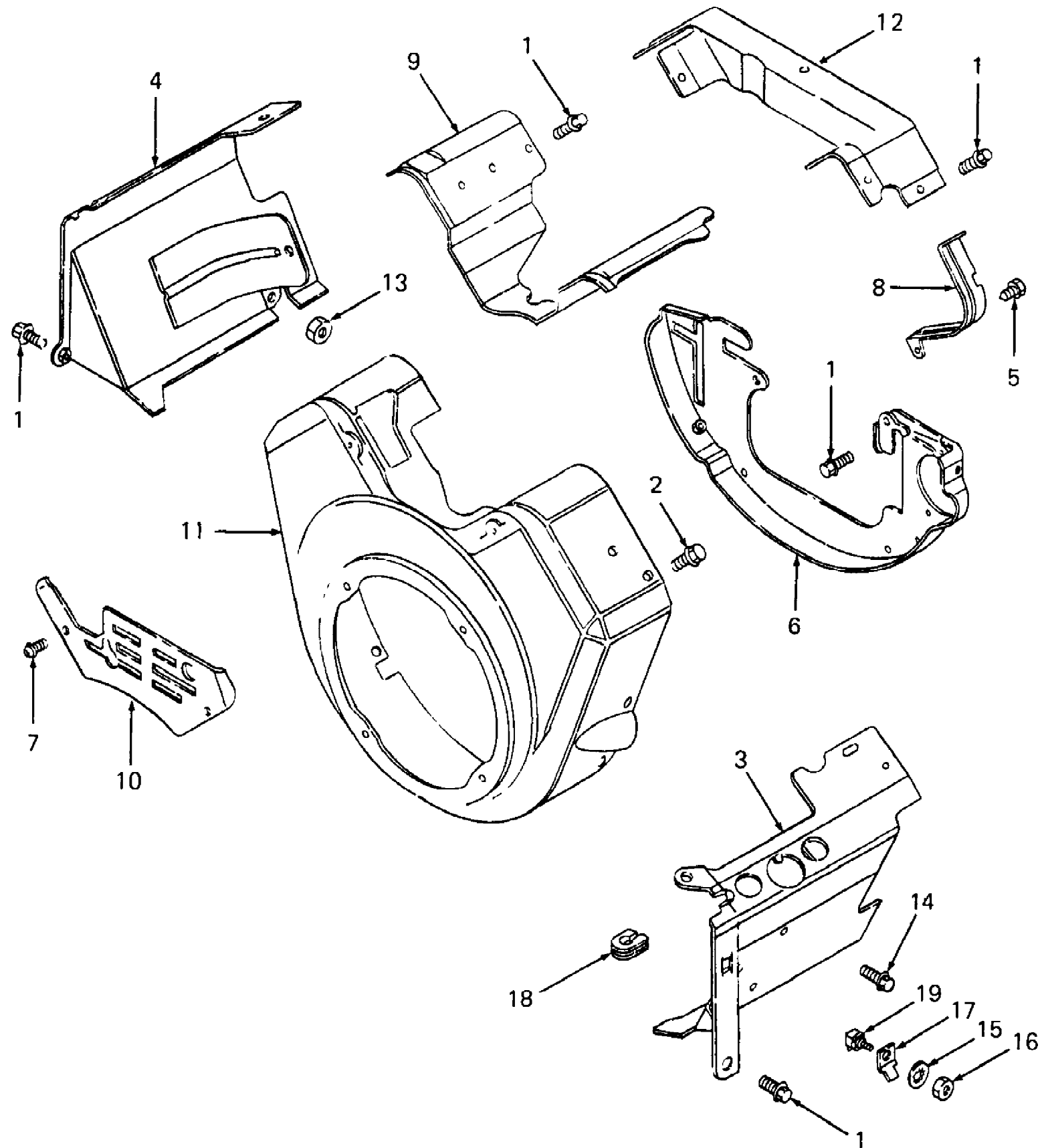


1641 S/N 821,060 - 880,000
Battery Tray & Bulkhead

Page 6 of 90

Ref #	Part Number	Qty	S/P/F	Description
1	703-2144	1		Bulkhead, Upper
2	703-2142	2		Bracket, Bulkhead
3	710-3039	2	/P	Screw, Hex Cap, 5/16-18 X .50 Lg GR5
4	736-0242	2	/P	Washer, Bell, .345 X .88 X .060 Thk
5		1		Seal, Bulkhead, 36" Lg (Order Part No. 723-3004, 56" Lg, & cut to fit)
6	710-3013	8	/P	Screw, Hex Cap, 1/4-20 X .50 Lg GR5
7	736-0329	12	S	Washer, Lock, 1/4
8	712-3006	12	/P	Nut, Hex, 1/4-20 GR5
9	703-2143	1		Bulkhead, Lower
10		2		Seal, Bulkhead, 10" Lg (Order Part No. 723-3060, 17" Lg, & cut to fit)
11	723-3042	2	/P	Bushing, Snap, 7/8 ID
12	703-1827	1	S	Tray Assy, Battery
13	710-3012	1		Bolt, J-Type, 1/4-20
14	710-0751	3	/P	Screw, Hex Cap, 1/4-20 X .62 Lg GR5

1641 S/N 821,060 - 880,000
Blower Housings



1641 S/N 821,060 - 880,000
Blower Housings

Page 8 of 90

Ref #	Part Number	Qty	S/P/F	Description
1	BS-805406	21	S	Screw, Sems
2	BS-805025	1	S	Screw, Sems
3	BS-807870	1		Cover (Cylinder #1)
4	BS-807871	1		Cover (Cylinder #2)
5	BS-805260	2	S	Screw, Sems
6	BS-807663	1	S	Plate, Back
7	BS-805009	2	S	Screw, Sems
8	BS-805505	1		Shield
9	BS-805738	1		Cover
10	BS-805636	1		Cover, Carburetor
11	BS-807898	1	S	Housing, Blower
12	BS-807661	1	S	Cover, Valley Extension
13	BS-805383	1	S	Nut, Hex
14	BS-805448	2	S	Screw, Mtg
15	BS-92791	1	S	Washer, Lock, Internal Tooth
16	712-0142	1	/P	Nut, Hex
17	BS-93722	1	S	Terminal, Ground
18	BS-805641	1	S	Grommet, Cable
19	BS-398525	1	S	Insulator Assy

Brake Assembly

