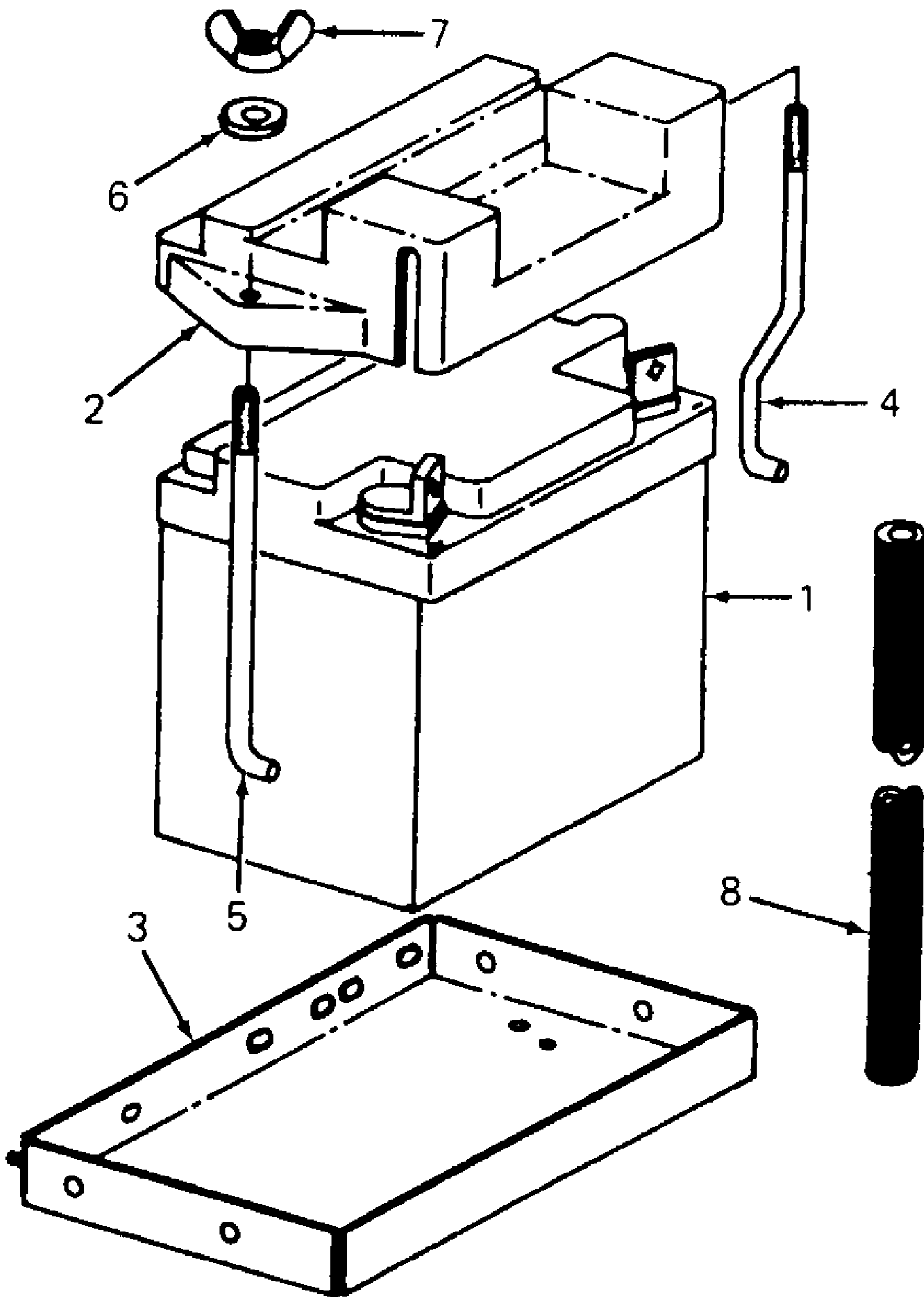


1620  
Air Cleaner

Page 2 of 76

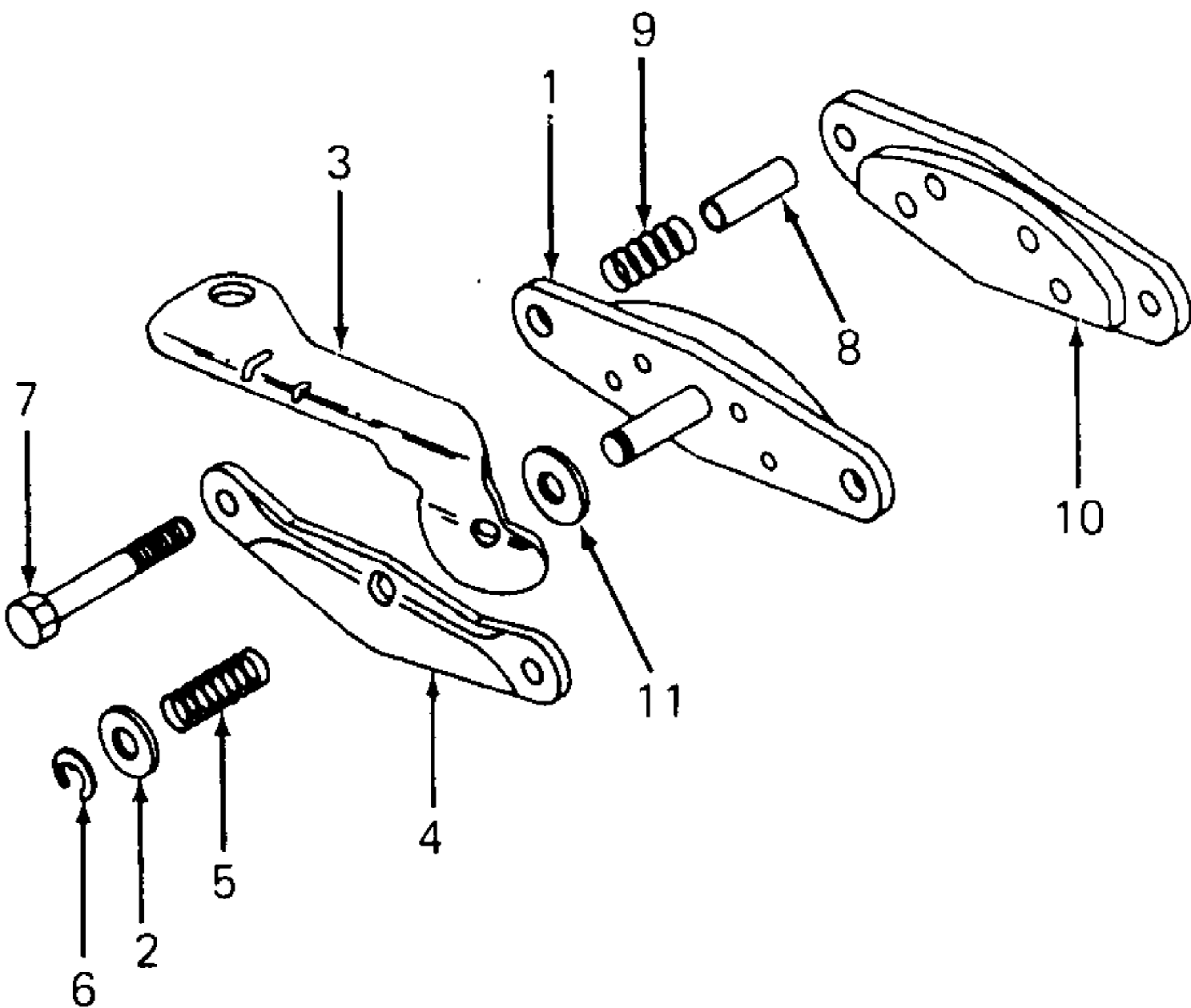
Ref #	Part Number	Qty	S/P/F	Description
1	KH-X-276-7	1	S	Nut, Wing
2	KH-45-082-01	1	/P	Cover, Air Cleaner
3	KH-231032	1	/P	Seal, Element Cover
4	KH-52-082-04	1	/P	Cover, Air Cleaner Element
5	KH-45-083-01	1	S	Precleaner
6	759-3359	1	S	Element
7	KH-X-67-98	4	S	Screw, Hex Wash Hd, 10-32 X 9/16
8	KH-52-094-06	1	/P	Base, Air Cleaner
9	KH-277093	1	/P	Gasket, Air Cleaner
10	KH-52-054-32	1		Elbow, Air Cleaner
11	KH-X-25-79	1		Washer, Plain, #10
12	KH-X-50-37	1	/P	Screw, Sltd Pan Hd, 10-32 X 2-1/4
13	KH-X-50-57	2	S	Screw, Sltd Pan Hd, 10-32 X 1-1/2
14	KH-X-22-9	2		Washer, I.T. #10
15	KH-277069	1	S	Gasket, Elbow
	KH-25-113-01	1		Decal, Air Cleaner Instructions



1620  
Battery & Mounting

Page 4 of 76

Ref #	Part Number	Qty	S/P/F	Description
1	725-3061	1	S	Battery, 12 Volt
	710-0451	2	/P	Bolt, Carr. 5/16-18 X .75 Long
	712-3010	2	S	Nut, 5/16-18
2	759-3193	1		Cover W/Graphic, Battery
	777-4491	1		Graphic
3	703-1144	1		Tray, Battery
	710-3008	4	/P	Bolt, 5/16 X 3/4 GR 5
	736-0119	4	S	Washer, 5/16 Lock
	736-3007	4		Washer, 5/16 Ext-Int Tooth Lock
	712-3010	4	S	Nut, 5/16 GR 5
4	711-3142	1		Rod, Battery Cover LH
5	711-0222	1	S	Rod, Battery Cover RH
6	736-0142	2	S	Washer, .281 X .500 X .056
7	712-3044	2		Nut, 1/4 Wing
8	735-3027	1		Hose, Battery Drain 48 in. Long



1620  
Brake Assembly

Page 6 of 76

Ref #	Part Number	Qty	S/P/F	Description
	761-3000	1		Brake Assy, Caliper
1	HH-9908225	1	S	Plate Assy, Stud
2	HH-0303017	1		Washer, Thrust
3	HH-1802434	1		Cam
4	HH-1403286	1		Plate, Actuator
5	HH-0603031	1		Spring, Compression
6	HH-0703275	1	S	Ring, Retaining
7	HH-0103443	2	S	Screw, 1/4-20 X 2 Phc Hex-Hd Cap
	712-0107	2	S	Nut, 1/4-20, Hex Patch Lock
8	HH-1108979	2		Bushing
9	HH-0603314	2		Spring, Return
10	HH-9908229	1	S	Side Assy, Carrier
11	HH-0307700	1		Washer

Brake Pedal & Connections

