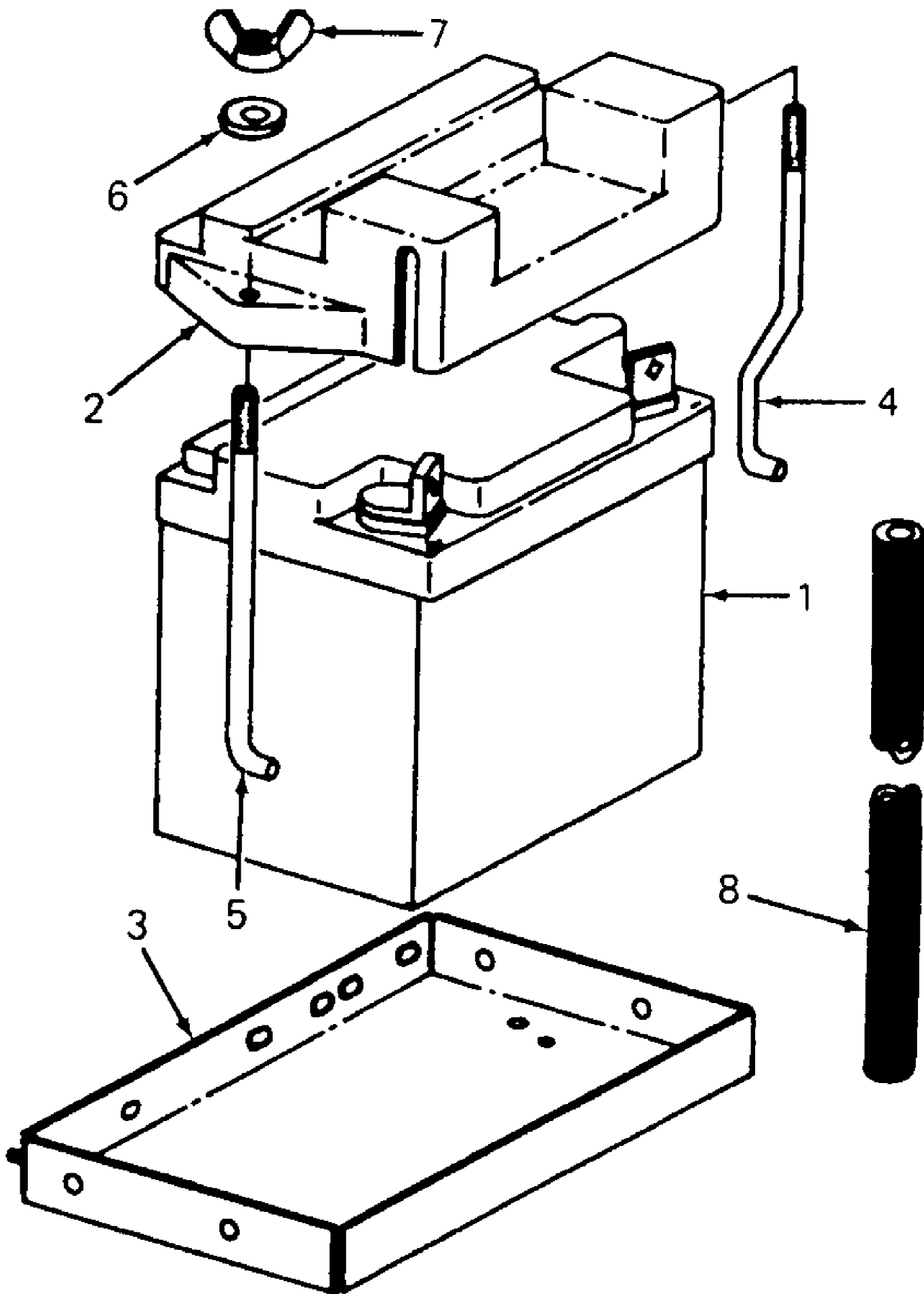


1615  
Air Cleaner

Page 2 of 73

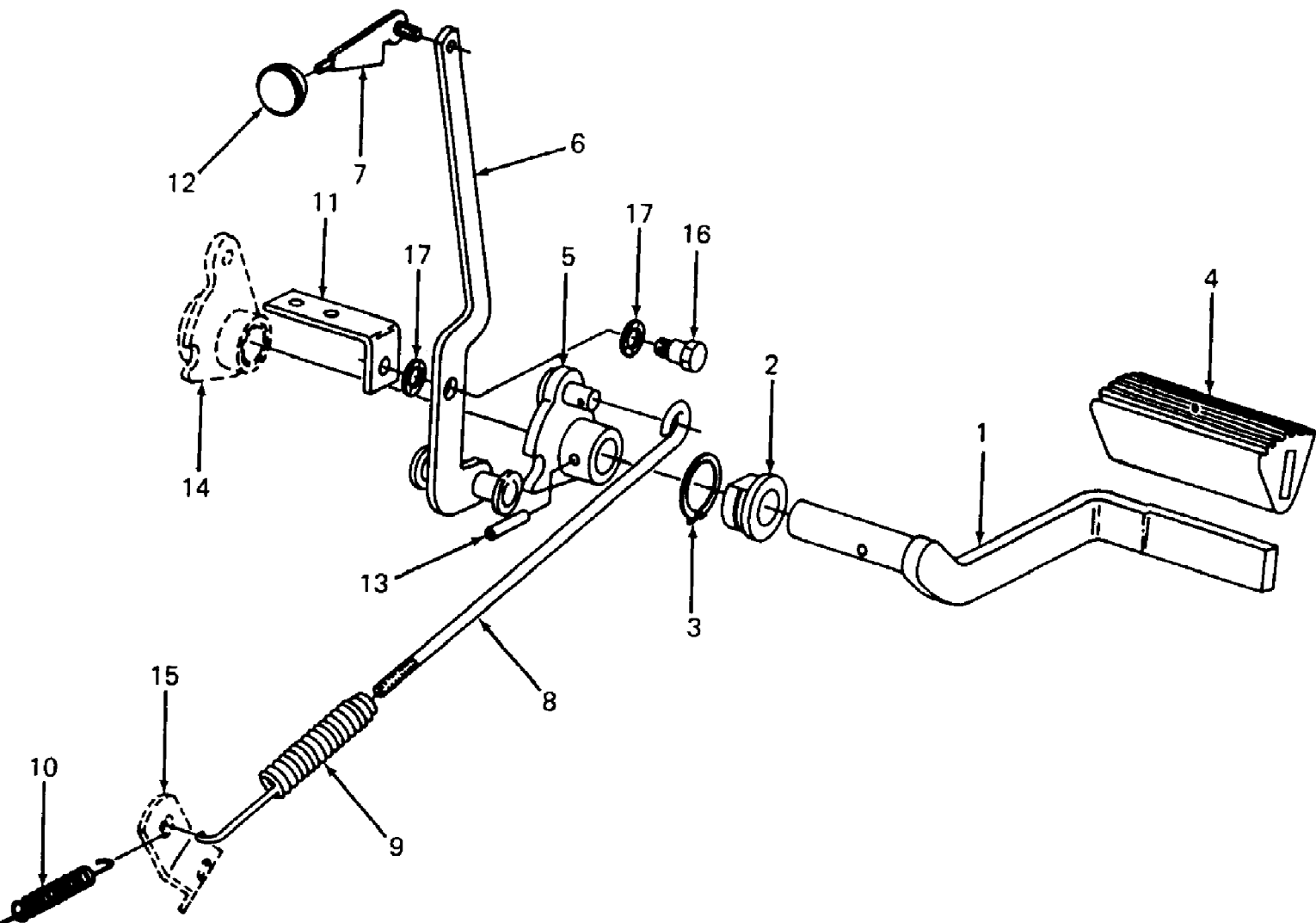
Ref #	Part Number	Qty	S/P/F	Description
1	KH-X-276-7	1	S	Nut, Wing
2	KH-45-082-01	1	/P	Cover, Air Cleaner
3	KH-231032	1	/P	Seal, Element Cover
4	KH-52-082-04	1	/P	Cover, Air Cleaner Element
5	KH-45-083-01	1	S	Precleaner
6	759-3359	1	S	Element
7	KH-X-67-98	4	S	Screw, Hex Wash Hd, 10-32 X 9/16
8	KH-52-094-06	1	/P	Base, Air Cleaner
9	KH-277093	1	/P	Gasket, Air Cleaner
10	KH-52-054-32	1		Elbow, Air Cleaner
11	KH-X-25-79	1		Washer, Plain, #10
12	KH-X-50-37	1	/P	Screw, Sltd Pan Hd, 10-32 X 2-1/4
13	KH-X-50-57	2	S	Screw, Sltd Pan Hd, 10-32 X 1-1/2
14	KH-X-22-9	2		Washer, I.T. #10
15	KH-277069	1	S	Gasket, Elbow
	KH-25-113-01	1		Decal, Air Cleaner Instructions



1615  
Battery & Mounting

Page 4 of 73

Ref #	Part Number	Qty	S/P/F	Description
1	725-3061	1	S	Battery, 12 Volt
	710-0451	2	/P	Bolt, Carr. 5/16-18 X .75 Long
	712-3010	2	S	Nut, 5/16-18
2	759-3193	1		Cover W/Graphic, Battery
	777-4491	1		Graphic
3	703-1144	1		Tray, Battery
	710-3008	4	/P	Bolt, 5/16 X 3/4 GR 5
	736-0119	4	S	Washer, 5/16 Lock
	736-3007	4		Washer, 5/16 Ext-Int Tooth Lock
	712-3010	4	S	Nut, 5/16 GR 5
4	711-3142	1		Rod, Battery Cover LH
5	711-0222	1	S	Rod, Battery Cover RH
6	736-0142	2	S	Washer, .281 X .500 X .056
7	712-3044	2		Nut, 1/4 Wing
8	735-3027	1		Hose, Battery Drain 48 in. Long



1615

Page 6 of 73

## Brake Pedal &amp; Connections

Ref #	Part Number	Qty	S/P/F	Description
1	703-1249	1		Pedal, Brake
2	748-3009	1		Bearing, Flanged
3	716-0116	1	/P	Ring, Retainer
4	735-0189	1		Pad, Foot
5	703-1189	1		Cam, Brake
6	703-1226	1		Lever, Parking Brake
7	703-1224	1		Handle, Brake Parking
	712-0998	1	/P	Nut, No. 10 Cad P/T Lock GR 5
8	747-3102	1		Rod, Brake
	712-0107	1	S	Nut, 1/4-20 Hex Patch Lock
	736-0272	1	S	Washer .51 X 1.0 X .06 Flat
	714-0115	1	S	Pin, 1/8 X 1 Cot
9	732-3043	1		Spring, Extension
10	732-3046	1		Spring, Brake Return
11	703-1152	1		Support, Brake Lockout
	710-3008	2	/P	Bolt, 5/16 X 3/4 GR 5
	712-3009	2	S	Nut, 5/16 GR 5
12	720-3016	1		Knob, Brake Lock Handle
13	715-3028	1		Pin, 1/4 X 1-1/4 Pln Slit-Spr
14	703-1192	1		Cam, Clutch
15		1		Lever, Brake Part of Transaxle
16	738-0258	1	S	Screw, Shoulder
	712-3000	1	S	Nut, 3/8 Cad P/T Lock GR 5
17	736-0232	2	S	Washer, .530 X .780 X .013 Wave

1615  
Breather & Vent Assembly

