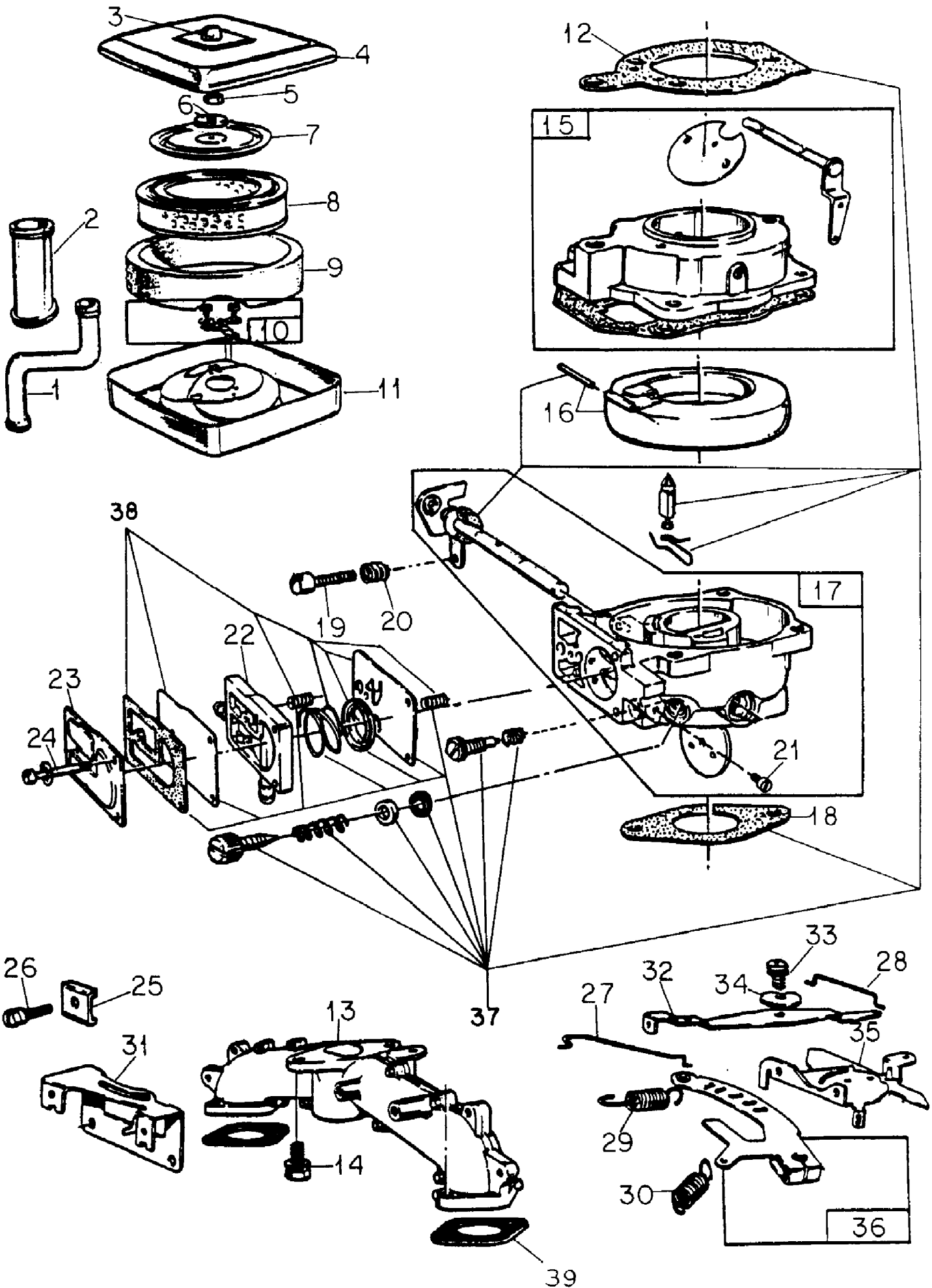


1604, 1606, 580, 582

A-Frame Hitch Adapter-582-Tractors W/sn 720000 & above

Ref #	Part Number	Qty	S/P/F	Description
1		1		Adapter Pkg, Frame Hitch
2	IH-106998-C1	2		Pin
3	712-3015	2	S	Nut, 5/8 Jam Type 5
4		2		Nut, 5/8 Type 5 (Common Hardware, Purchase Locally)
5	~NLA	1		Adapter, Sleeve
6	~NLA	2		Bolt, 5/8 X 2 Type 5 Purchase Locally
7	BR-H-158	1		Plate, Stabilizer
8	BR-H-130P-01	1	S	Pin, Sleeve
9	710-3181	2	/P	Bolt, 1/2 X 1-1/2 Type 5
	736-0921	2	S	Washer, 1/2 Lock
10	712-0206	2	S	Nut, 1/2 Type 5
11	712-3015	2	S	Nut, 5/8 Jam Type 5
	BR-D-146P	2		Package, Quick Attachable Cotters



1604, 1606, 580, 582
Air Cleaner, Carburetor & Governor

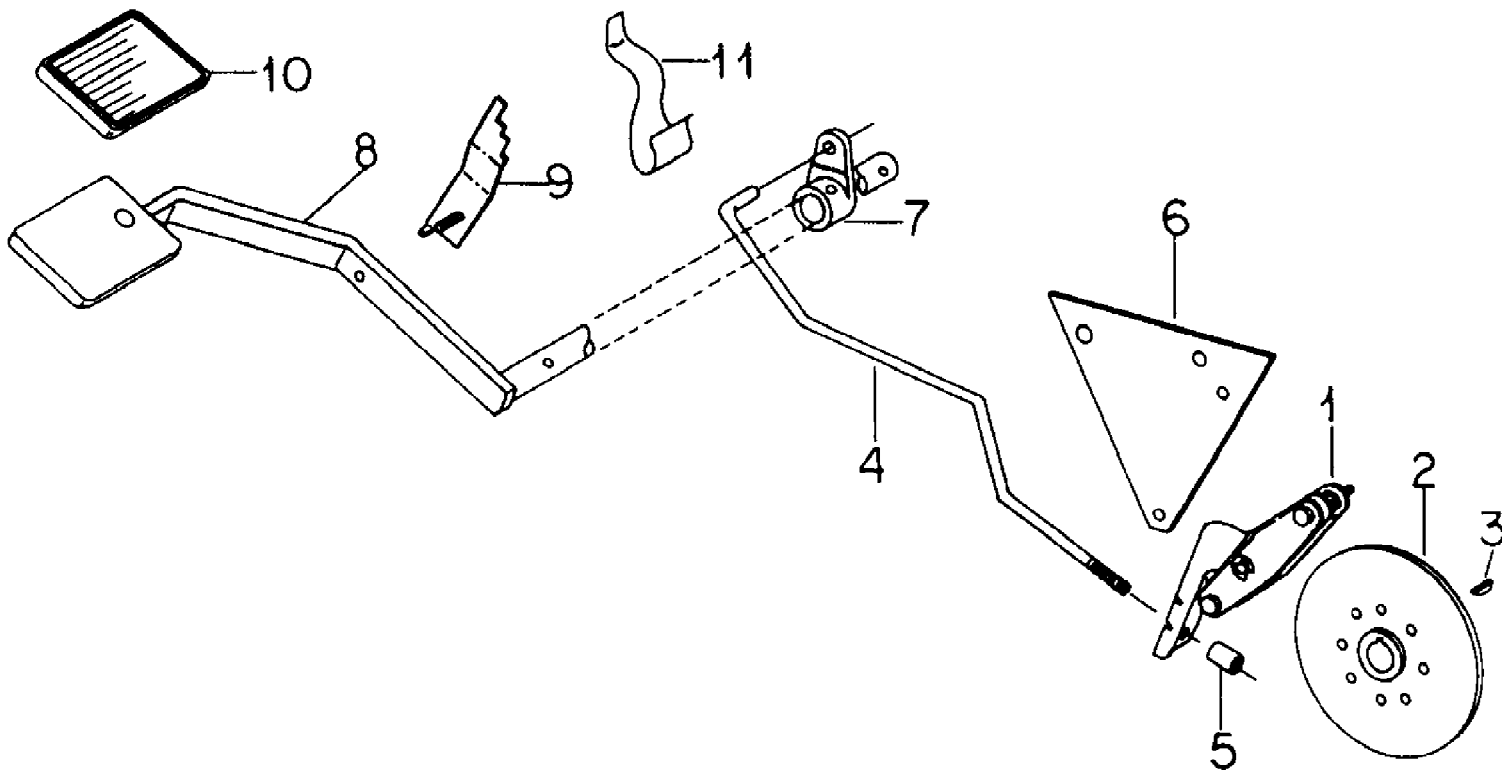
Page 4 of 112

Ref #	Part Number	Qty	S/P/F	Description
1	BS-280185	1	/P	Tube, Breather
2	BS-280198	1		Tube, Breather
3	BS-212706	1	S	Knob, Air Cleaner
4	IH-78558-C1	1		Cover, Air Cleaner (582 w/Serial No. 700,000 and Below)
	BS-223001	1		Cover, Air Cleaner (582 w/Serial No. 700,001 and Above)
5	712-3006	1	/P	Nut, Air Cleaner
6	BS-271180	1		Washer, Retainer
7	BS-222835	1		Plate, Retainer
8	BS-394018	1	S	Cartridge, Air Cleaner
9	BS-271271	1	S	Element, Air Cleaner
10	BS-392643	1		Strap Assy, Air Cleaner Mounting
11	IH-78565-1	1		Body, Air Cleaner
12	BS-271411	1		Gasket, Air Cleaner
13	BS-393349	1		Manifold, Intake
	BS-93208	4		Screw, 1/4 X 7/8 Znp Fil/Hd L/W Mach
14	BS-93415	2		Screw, Carburetor Mtg (582 w/Serial No. 700,000 and Below)
	IH-549459-R1	2		Screw, Carburetor Mtg (582 w/Serial No. 700,001 and Above)
15	IH-78569-C1	1		Body Assy, Carburetor Upper
	BS-93496	4	S	Screw, Body Mtg
16	BS-298514	1	S	Float Assy, Carburetor
17	IH-78571-C1	1		Body Assy, Carburetor Lower
18	BS-271412	1	S	Gasket, Carburetor
19	BS-91920	1		Screw, Throttle Adj
20	BS-26157	1	S	Spring, Throttle Adj
21	BS-93897	1		Screw, Clamp Set
22	BS-280197	1		Body, Pump
23	BS-222615	1		Cover, Pump Body
24	BS-93829	1		Screw, Cover Mtg
25	BS-221535	1	S	Clamp, Casing
26	BS-93496	1	S	Screw, Clamp
27	IH-78204-C1	1		Link, Governor
28	BS-261531	1		Link, Speed Control (Engine w/Serial No. 79091712 and Below)
	BS-261531	1		Link, Speed Control (Engine w/Serial No. 79091713 and Above)
29	BS-261720	1		Spring, Governor
30	BS-261487	1		Spring, Governor Idle (Engine w/Serial No. 79091712 and Below)
	BS-261563	1		Spring, Governor Idle (Engine w/Serial No. 79091713 and Above)
31	IH-78210-C1	1		Bracket, Speed Control
	IH-78211-C1	2		Screw, Bracket Mtg
32	IH-78212-C1	1		Lever, Speed Control
33	IH-78213-C1	1		Screw, Speed Control Lever
34	IH-78214-C1	1		Washer, Speed Control

1604, 1606, 580, 582
Air Cleaner, Carburetor & Governor

Ref #	Part Number	Qty	S/P/F	Description
35	IH-78215-C1	1		Plate Assy, Governor Control (Engine w/Serial No. 79091712 and Below)
	BS-394324	1		Plate Assy, Governor Control (Engine w/Serial No. 79091713 and Above)
36	IH-78216-C1	1		Lever Assy, Governor (Engine w/Serial No. 79091712 and Below)
	BS-393846	1		Lever Assy, Governor (Engine w/Serial No. 79091713 and Above)
37	BS-491539	1	S	Kit, Carburetor Overhaul
38	BS-393397	1	/P	Kit, Fuel Pump Repair
39	BS-270884	2	S	Gasket, Manifold
	BS-491429	1	S	Carburetor Assy., Complete

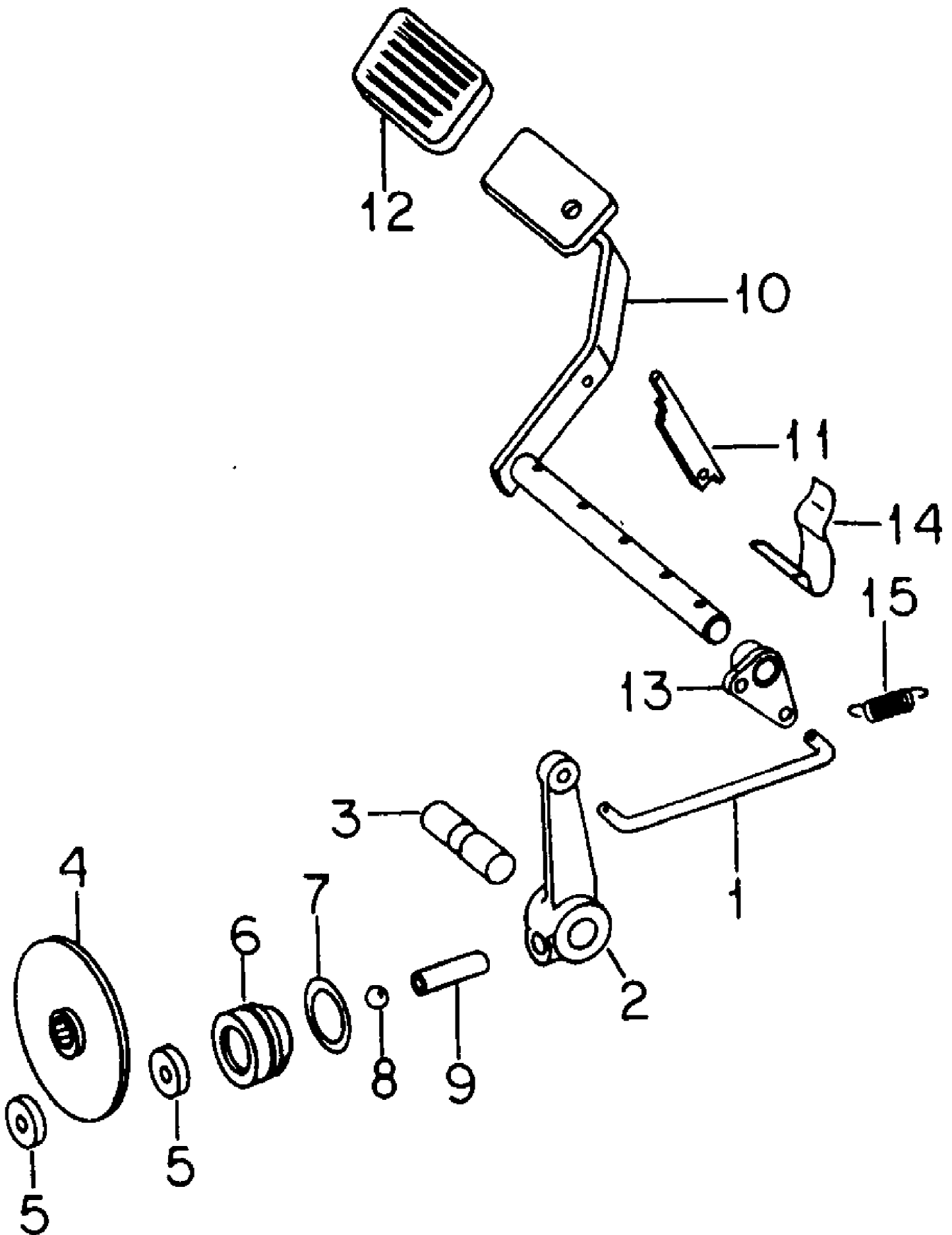
1604, 1606, 580, 582
Brakes & Connections-582 Special



1604, 1606, 580, 582
Brakes & Connections-582 Special

Page 7 of 112

Ref #	Part Number	Qty	S/P/F	Description
1		1		Brake Assy, Caliper (Refer to Caliper Brake Assy for List of Components)
	712-0107	2	S	Nut, 1/4-20 Znd Hex, Lock
	750-3008	2		Washer, .281 X .750 X .105
	736-0463	2	S	Washer, 281 X .625 X .051
	HH-01-03443	2	S	Bolt, 1/4 X 2 Type 5
2	761-3001	1		Disk & Hub
3	714-0868	9	S	Key, 3/16 X 3/4 Woodruff
4	747-3000	1		Rod, Brake
5	750-3024	1		Spacer, .493 X .675 X 1.00 Pipe
	736-0140	1	S	Washer, .406 X .812 X .051
	712-0375	1	/P	Nut, 3/8 Cad P/T Lock Type 1
	714-0474	1	S	Pin, 1/8 X 3/4 Pln Cot
6	703-0003	1		Support, Plate Brake, Spacer
	710-3000	2	S	Bolt, 3/8 X 3/4 Type 5
	712-3000	2	S	Nut, 3/8 Cad P/T Lock Type 5
7	719-3000	1	S	Lever, Brake Rod
8	703-0845A	1		Pedal Assy, Clutch
9		1		Ratchet (Order Kit 759-3127)
10	724-3000	1	S	Pad, Pedal
11	732-3000	1	S	Spring, Switch Operating (Serial Number 716387 and Below)
	732-3039A	1		Spring, Switch Operating (Serial Number 716388 and Above)
	715-3000	4	S	Pin, 1/4 X 1-3/8 Med Pln Cld Spr
	726-3000	1	/P	Nut, Spring Retaining
	759-3127	1		Kit, Brake Lock Ratchet Nut Washer, Spring



1604, 1606, 580, 582
Brakes & Connections-582-SN 719999 & Below

Ref #	Part Number	Qty	S/P/F	Description
1	747-3020	1		Rod, Brake
	714-0474	2	S	Pin, 1/8 X 3/4 Pln Cot
	736-0140	2	S	Washer, .406 X .812 X .051
2	IH-384723-R1	1		Lever, Brake
	~NLA	1		Screw, 3/8 X 1-3/4 Pln O/Pt Sq/Hd Set
	712-0342	1	/P	Nut, 3/8 Jam Type 5
3	IH-384722-R1	1		Shaft, Brake Pivot
4	IH-384717-R11	1		Disc Assy, Brake
5	IH-384719-R1	2	S	Disc, Brake Lining
6	IH-384720-R2	1		Retainer, Brake Lining
7	IH-378031-R1	1	/P	O-Ring, 1-3/16 X 3/32 Class 5
8	IH-17018-R1	1		Ball, 9/16 Steel
9	IH-384721-R1	1		Rod, Brake Push
10	703-0845A	1		Pedal Assy, Clutch
11		1		Ratchet (Order Kit 759-3127)
	~NLA	1		Rivet, 1/4 X 11/16 F/Hd Solid
	736-3001	1	/P	Washer, Spring
12	724-3000	1	S	Pad, Pedal
13	703-0211	1	S	Arm Assy, Clutch & Brake
14	732-3000	1	S	Spring, Switch Operating (Serial Number 716387 & Below)
	732-3039A	1		Spring, Switch Operating (Serial Number 716388 & Above)
	726-3000	1	/P	Nut, Spring
	715-3000	3	S	Pin, 1/4 X 1-3/8 Hvy Cld Spr
15	732-3015	1	S	Spring, Brake Pedal Return
	759-3127	1		Kit, Brake Lock (Replaces Ratchet 703-0006) Ratchet Nut Washer, Spring

