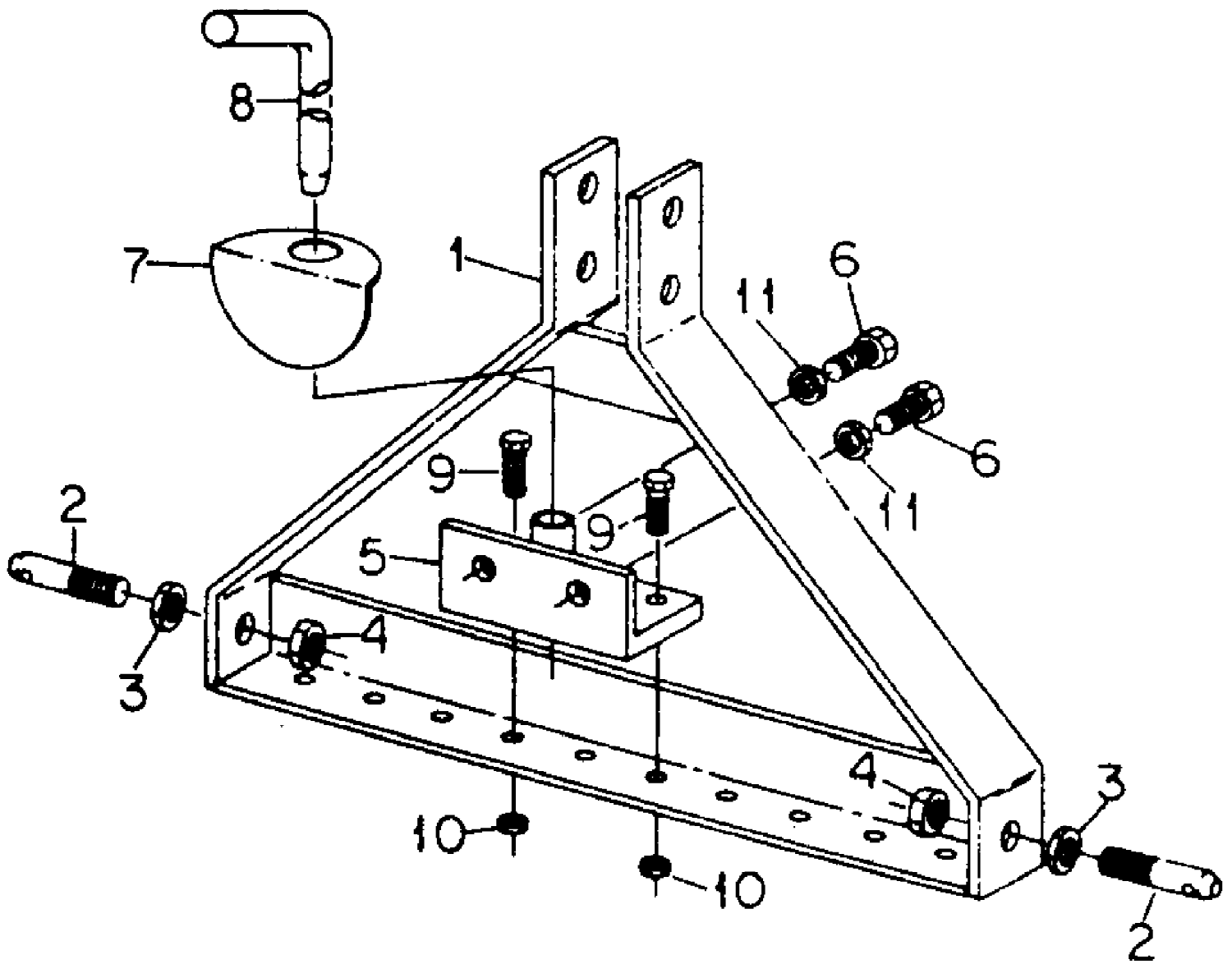


A-Frame Hitch Adapter-To Mt Yoke Type Implnts To Trctrs Eqp

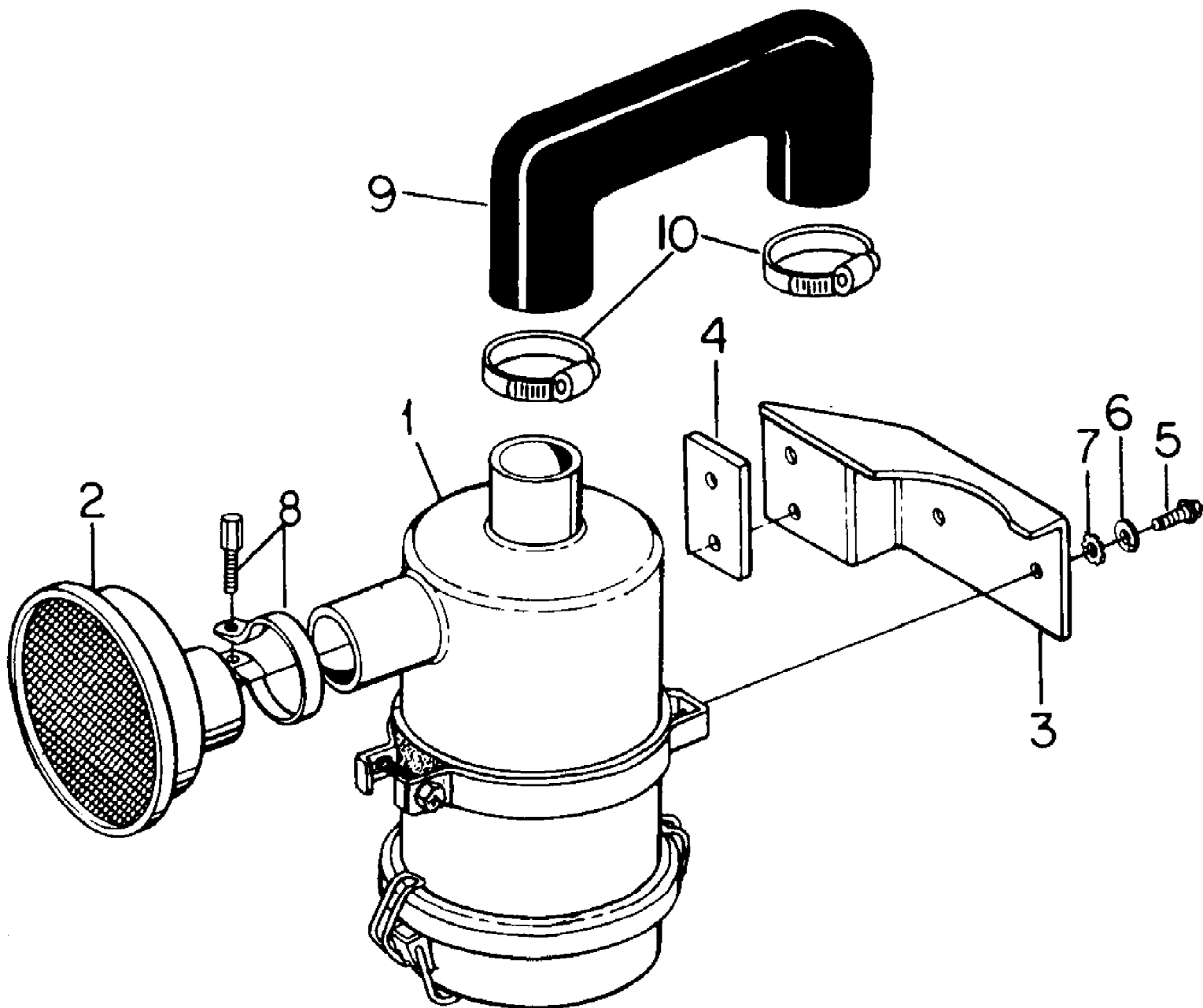


1512, 882, 782-Diesel

Page 2 of 135

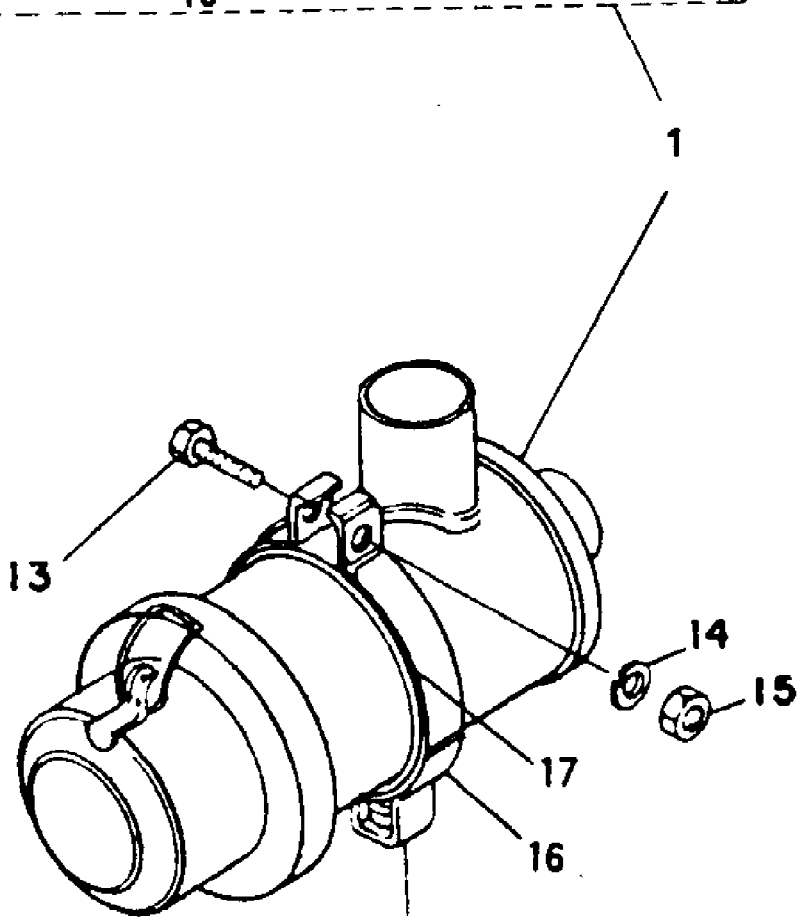
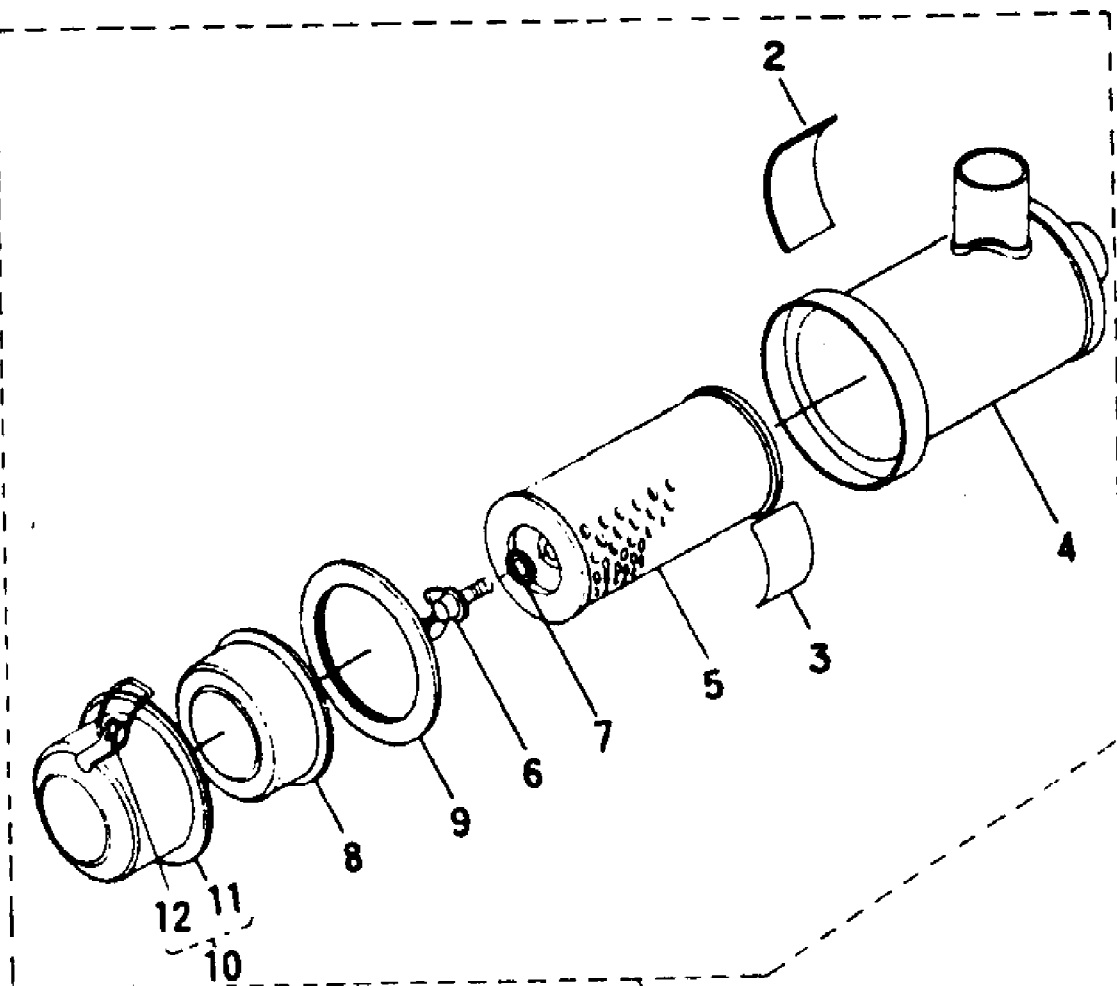
A-Frame Hitch Adapter-To Mt Yoke Type Implnts To Trctrs Eqp

Ref #	Part Number	Qty	S/P/F	Description
1		1		Adapter Pkg, Frame Hitch
2	IH-106998-C1	2		Pin
3	712-3015	2	S	Nut, 5/8 Jam Type 5
4		2		Nut, 5/8 Type 5 (Common Hardware, Purchase Locally)
5	~NLA	1		Adapter, Sleeve
6	BR-IM2032P	2		Bolt, 5/8 X 2 Type 5
7	BR-H-158	1		Plate, Stabilizer
8	BR-H-130P-01	1	S	Pin, Sleeve
9	710-3181	2	/P	Bolt, 1/2 X 1-1/2 Type 5
	736-0921	2	S	Washer, 1/2 Lock
10	712-0206	2	S	Nut, 1/2 Type 5
11	712-3015	2	S	Nut, 5/8 Jam Type 5
	BR-D-146P	2		Package, Quick Attachable Cotters



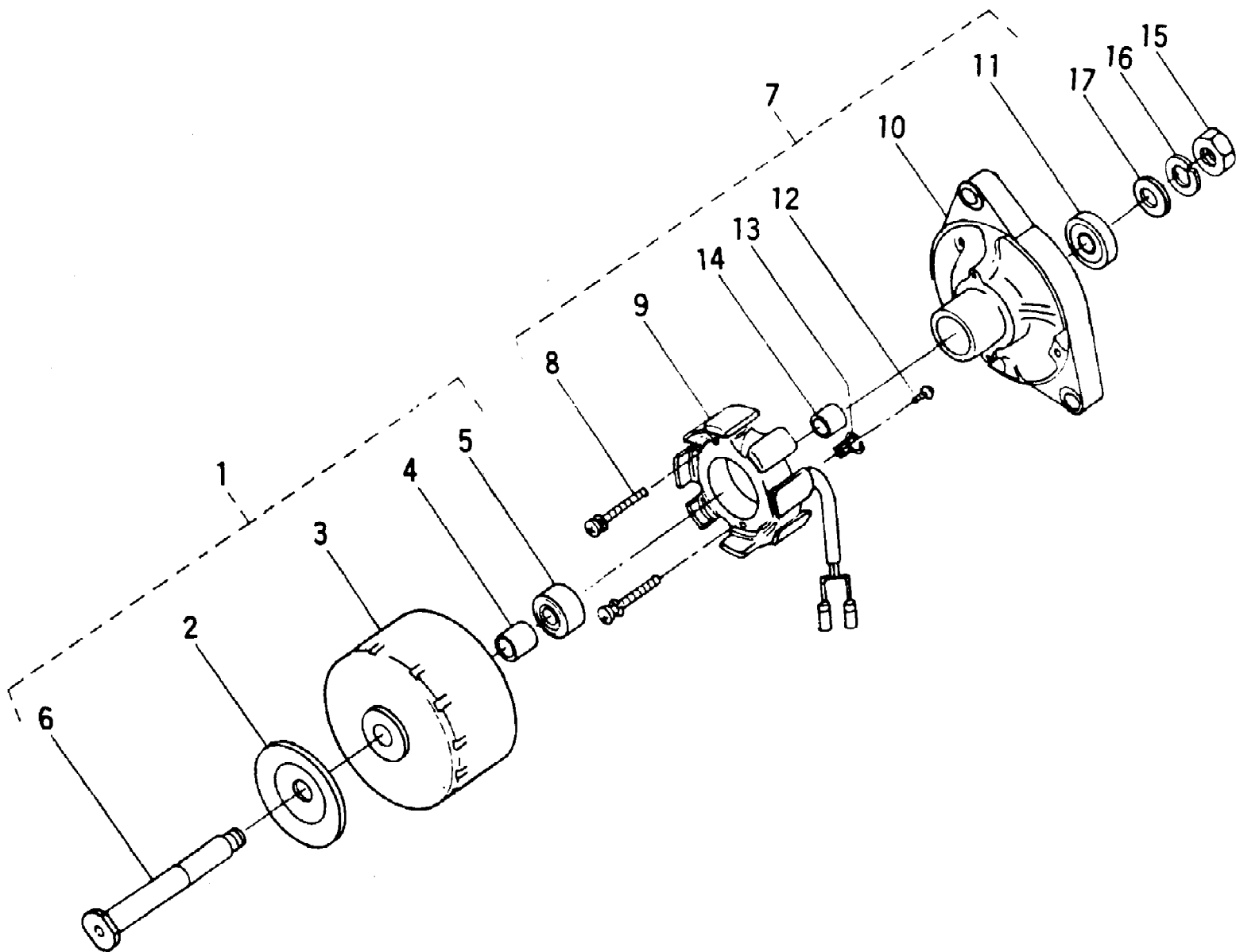
1512, 882, 782-Diesel
Air Cleaner & Connections

Ref #	Part Number	Qty	S/P/F	Description
1	KB-15372-11010	1		Cleaner Assy, Air (For Components See Separate Listing)
2	703-0953	1		Intake Assy, Air
3	703-0983	1		Bracket, Air Cleaner
4	735-3021	1		Pad, Isomount
5	710-3137	2		Bolt, M8 X 20 Phc Class 8.8
6	736-0119	2	S	Washer, 5/16 Lock
7	736-3007	2		Washer, 5/16 Ext-Int Tooth Lock
8	726-3033	1		Clamp, Air Cleaner Screen
9	735-3018	1		Hose, Air Cleaner to Intake Manifold
10	726-3033	2		Clamp, Air Cleaner Hose



1512, 882, 782-Diesel
Air Cleaner Components

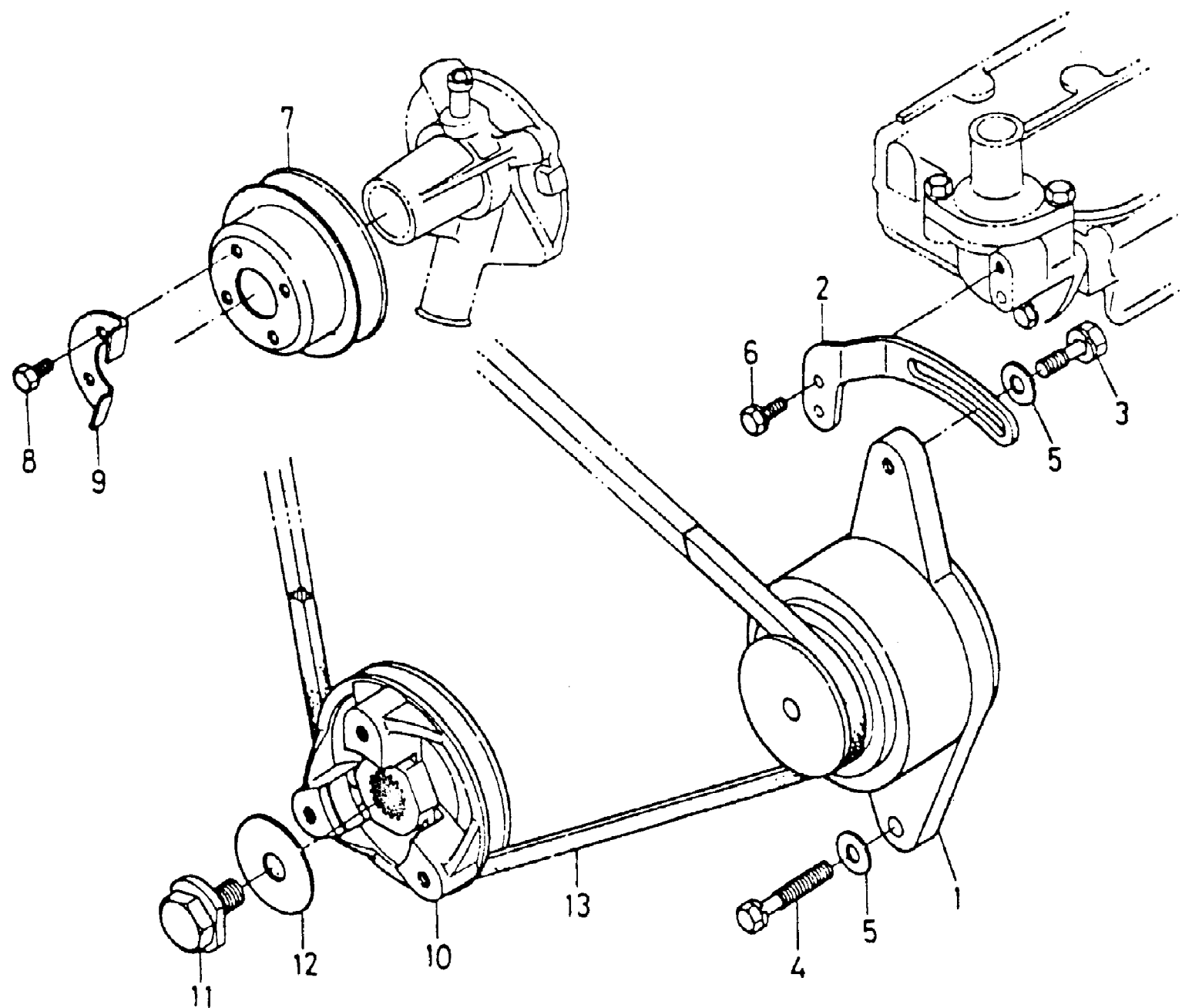
Ref #	Part Number	Qty	S/P/F	Description
1	KB-15372-11010	1		Cleaner Assy, Air (Includes Ref No. 2 thru 12)
2		1		Label - Not Serviced
3		1		Label - Not Serviced
4		1		Body Assy, Air Cleaner - Not Serviced Separately
5	KB-70000-11221	1	/P	Element, Air Cleaner
6	KB-15221-92620	1	/P	Bolt, Wing
7	KB-15221-94430	1		Washer
8	KB-15221-11410	1		Cover
9	KB-15221-11170	1	/P	Gasket, Air Cleaner Cover
10	KB-15241-11160	1	/P	Cover, Air Cleaner (Includes Ref No. 11 & 12)
11		1		Not Serviced Separately
12		1		Not Serviced Separately
13	KB-01222-50830	1		Bolt, M8 X 30 Pln Class 8.8
14	KB-04512-50080	1	S	Washer, 8MM Lock
15	KB-02114-50080	1	/P	Nut, M8 Class 8
16	KB-15371-11252	1	/P	Band, Air Cleaner
17	KB-15371-11870	1		Cushion



1512, 882, 782-Diesel
Alternator Component

Page 8 of 135

Ref #	Part Number	Qty	S/P/F	Description
	KB-15531-64013	1	S	Alternator Assy
1	KB-15531-64120	1		Rotor Assy (Includes Ref No. 2 thru 6)
2	KB-15531-64110	1		Pulley
3	KB-15531-64040	1		Rotor
4	KB-15261-64140	1		Collar
5	KB-08121-06201	1	/P	Bearing, Ball
6	KB-15531-74140	1		Shaft, Fan
7	KB-15531-64362	1		Stator Assy (Includes Ref No. 8 thru 14)
8	KB-15261-93010	2		Screw, Round Head
9	KB-15531-64292	1	/P	Stator
10	KB-15531-64072	1	/P	Plate
11	KB-08121-06201	1	/P	Bearing, Ball
12	KB-15531-93010	1		Screw, Round Head
13	KB-15531-64190	1		Clamp, Cord
14	KB-15261-64150	1		Collar
15	KB-15261-92030	1		Nut
16	KB-15261-94070	1		Washer, Spring
17	KB-15261-94020	1		Washer, Plain



Ref #	Part Number	Qty	S/P/F	Description
1	KB-15531-64013	1	S	Alternator (For Components See Separate Listing)
2	KB-15841-64420	1	/P	Support, Alternator
3	KB-01123-50825	1		Bolt, M8 X 25 Class 8.8 w/Washer
	KB-04512-50080	1	S	Washer, 8MM Lock
4	KB-15841-91020	1	/P	Bolt
5	KB-04013-50080	2	/P	Washer, 8.8 X 17 X 1.6MM
6	KB-01023-50616	1		Bolt, M6 X 16 Class 8.8 w/Washer
7	KB-15841-74250	1		Pulley, Water Pump
8	KB-01053-50612	4		Bolt, M6 X 12 Class 8.8
9	KB-15131-74230	2		Washer, Fan
10	KB-15861-74280	1	/P	Pulley, Alternator Drive
11	KB-15841-91030	1		Bolt
12	KB-15841-94030	1		Washer, Plain
13	KB-15841-97010	1	/P	V-Belt