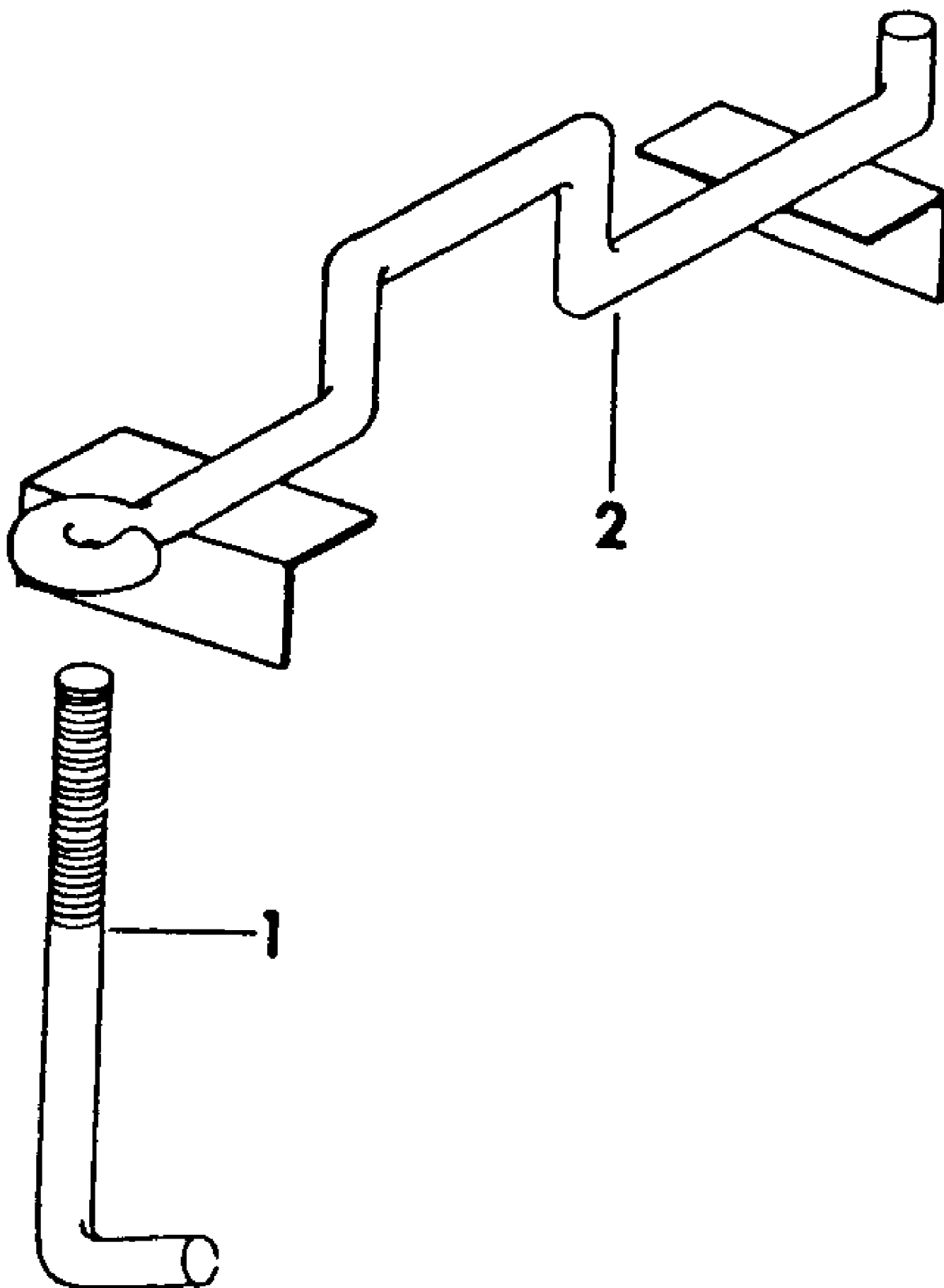


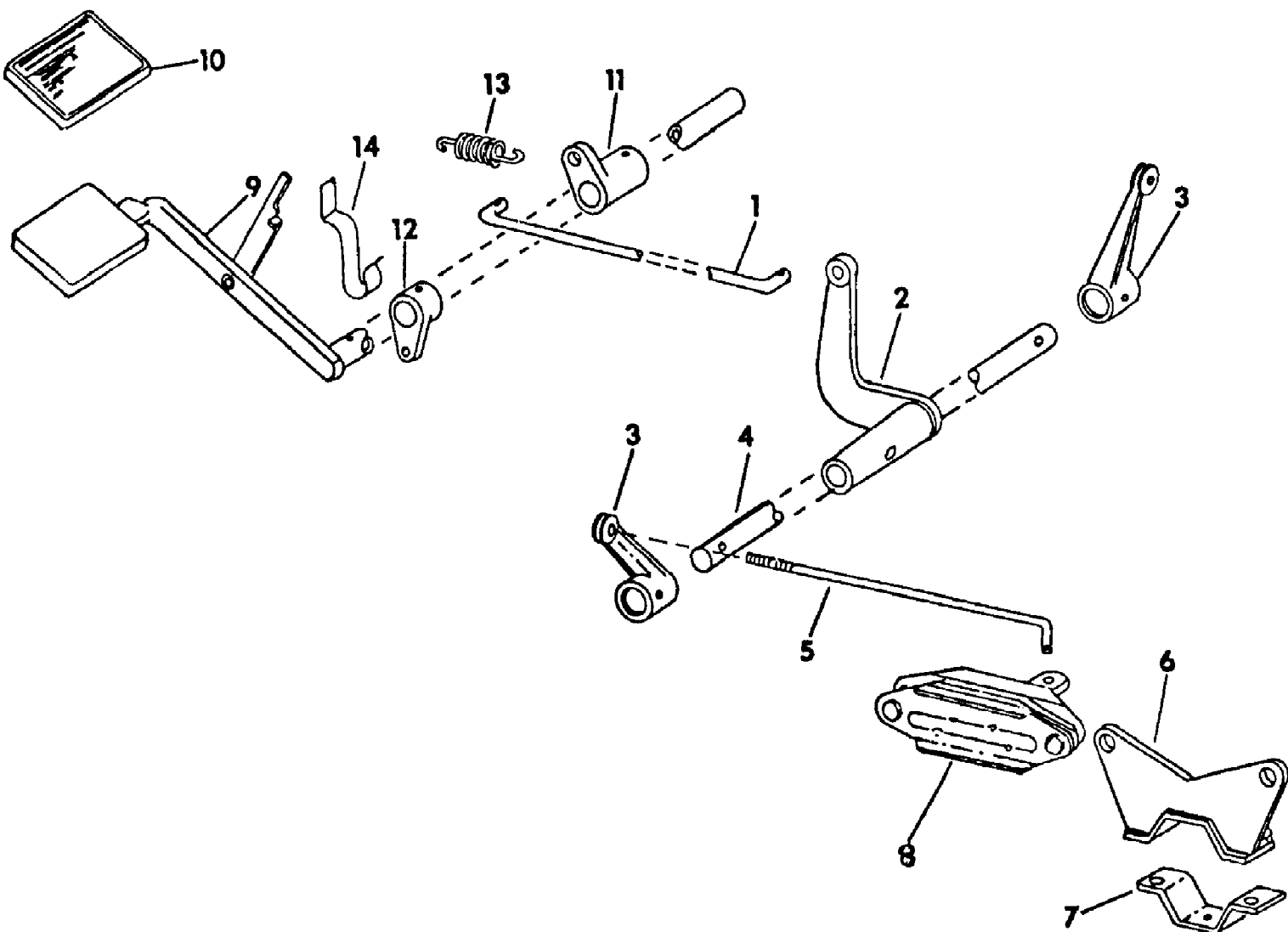
149
Air Cleaner & Extension

Ref #	Part Number	Qty	S/P/F	Description
1	KH-237424	1		Base, Air Cleaner
2	KH-237423	1	/P	Seal, Air Cleaner
3	IH-385168-R2	1	S	Element, Filter
4	~NLA	1		Cover, Air Cleaner
5	IH-229453-R1	1		Hose
6		1		Clamp (Common Hardware, Purchase Locally)
7	KH-X-276-7	1	S	Nut, Air Cleaner Wing



149
Battery Holder

Ref #	Part Number	Qty	S/P/F	Description
1	IH-544149-R1	1	S	Bolt, Battery Hold Down
	712-3044	1		Nut, 1/4-20 C-Z Type A Wing
2		1		Clamp, Battery Hold Down (Order 703-0017 battery strap assy)



Ref #	Part Number	Qty	S/P/F	Description
1	IH-544121-R1	1		Rod, Brake
	714-0474	2	S	Pin, 1/8 X 3/4 C-Z Cot
	736-0140	2	S	Washer, 13/32 X 3/4 X 16 Ga C-Z
2	IH-528629-R1	1		Lever Assy, Brake
3	IH-528630-R1	2		Arm, Brake
4	IH-528814-R2	1		Shaft, Brake Pivot
	715-3006	3	S	Pin, 1/4 X 1-3/4 Hv Coiled Spring
	IH-25708-R1	2	S	Washer, 11/32 X 3/4 X 16 Ga C-Z
5	IH-528818-R1	2		Rod, Brake
	714-0474	4	S	Pin, 1/8 X 3/4 C-Z Cot
	736-0275	2	S	Washer, 11/32 X 11/16 X .065 C-Z
	IH-124824	4		Nut, 5/16-18 C-Z Hex Jam
6	719-3014	2		Bracket Assy, Caliper (Used w/caliper assemblies)
7	703-0222	2		Flange, Caliper Mounting
		4		Screw, 3/8-16 X 1-1/4 Cdp Hex Hd Cap (Common Hardware, Purchase Locally)
	736-0169	4	S	Washer, 3/8 Znd Reg Lock
	712-0798	4	/P	Nut, 3/8-16 Znd Hex
8	IH-57953-C91	1	S	Caliper Assy, Brake LH
	IH-60735-C91	1		Caliper Assy, Brake RH (For components see list of parts under details of brake caliper assembly)
9	~NLA	1		Pedal Assy, Clutch
	715-3018	3	S	Pin, 1/4 X 1-3/8 Med Coiled Spring
	~NLA	1		Ratchet
	736-3001	1	/P	Washer, Spring
	~NLA	1		Rivet, 1/4 X 11/16 F-Hd Solid
10	724-3000	1	S	Pad, Pedal
11	759-3010	1	S	Lever Assy, Brake Rod
12	719-3001	1	S	Lever Assy, Neutral Return
13	732-3015	1	S	Spring, Brake Pedal Return
14	732-3000	1	S	Spring, Safety Switch Operating

149
Brake Caliper Assembly

