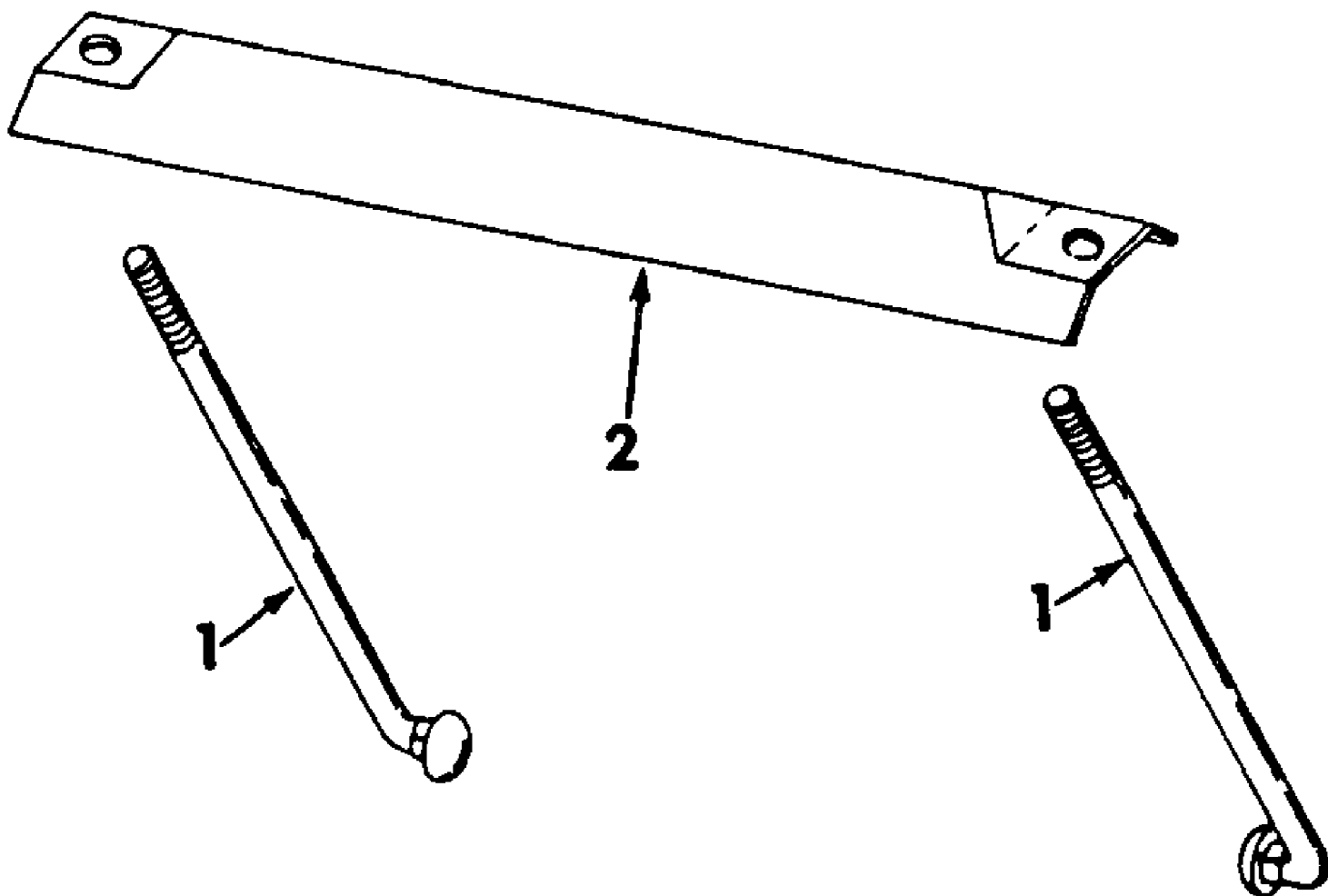


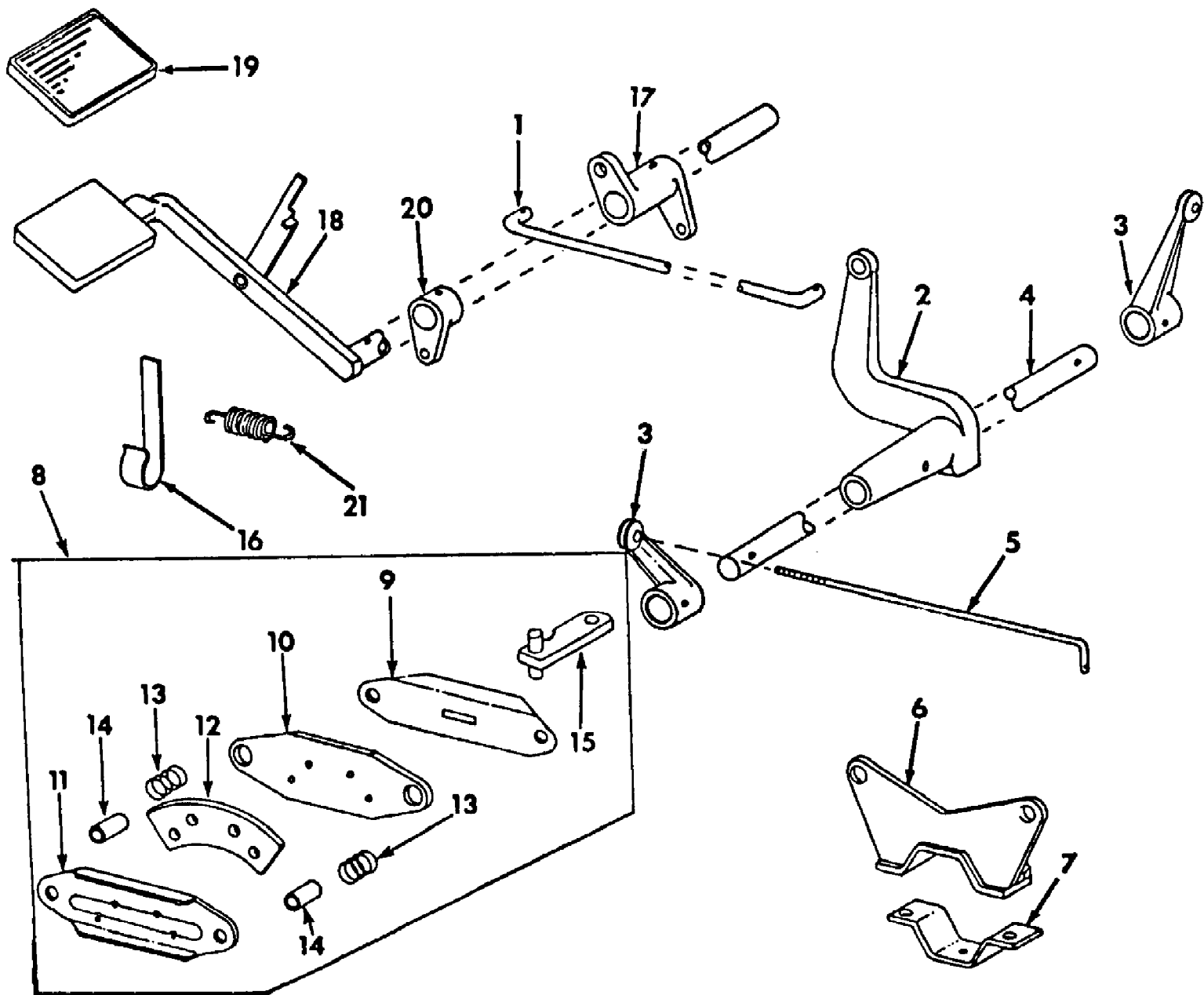
147  
Battery Holder



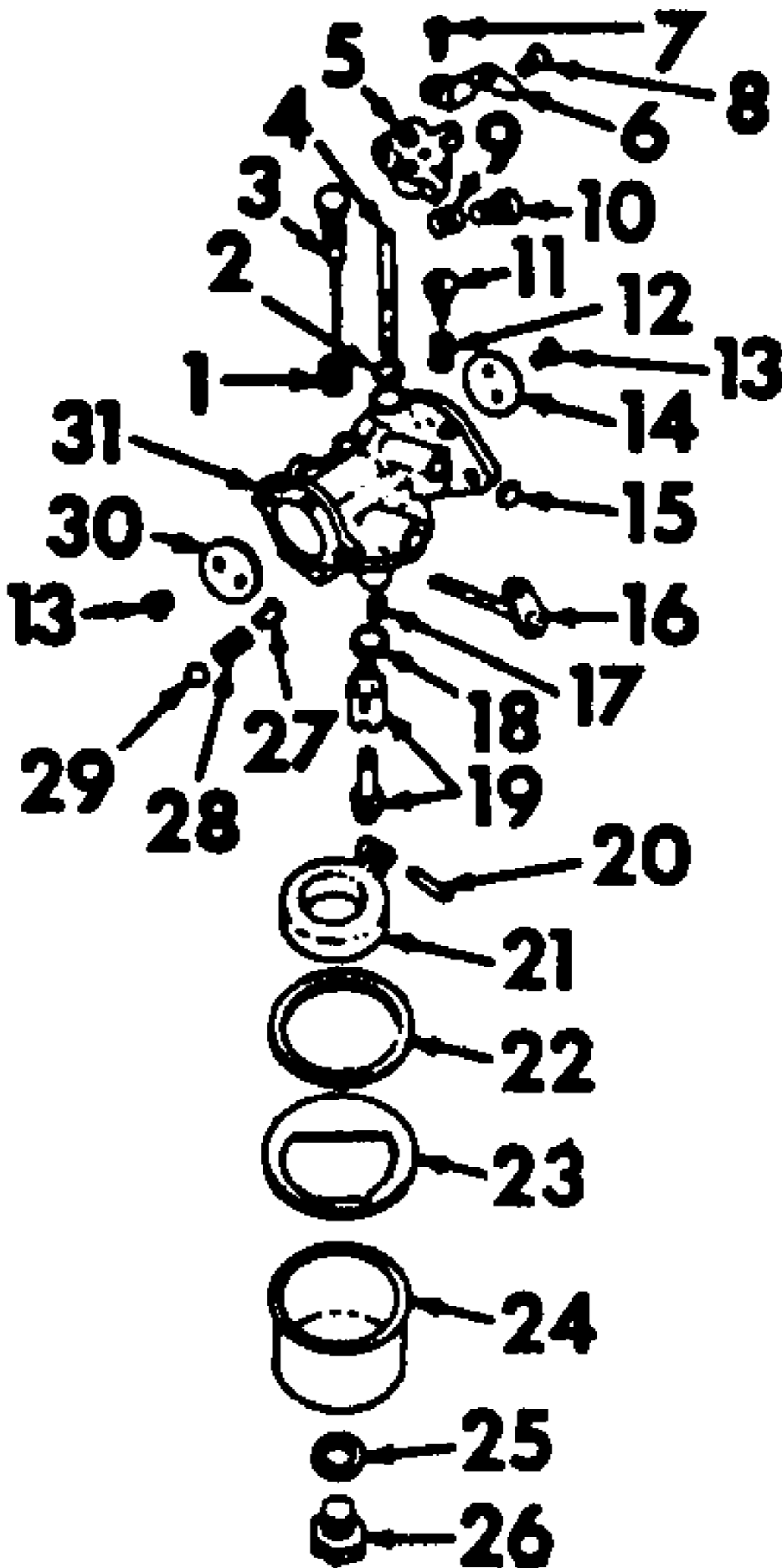
147  
Battery Holder

---

Ref #	Part Number	Qty	S/P/F	Description
1	IH-376294-R2	2		Bolt, Battery Hold Down
	KH-X-276-7	2	S	Nut, 1/4-20 Type A Wing
2	IH-376293-R2	1	S	Clamp, Battery Hold Down



Ref #	Part Number	Qty	S/P/F	Description
1	~NLA	1		Rod, Brake
	714-0507	2	S	Pin, 3/32 X 3/4 Cot
2	IH-528629-R1	1		Lever, Brake
3	IH-528630-R1	2		Arm, Brake
4	IH-528814-R1	1		Shaft, Brake Pivot
	IH-19479-R1	3		Pin, 1/4 X 2 Hv Coiled Spring
	IH-25708-R1	2	S	Washer, 11/32 X 3/4 X 16 Ga Flat
	IH-137141	4		Pin, 1/16 X 5/8 C-Z Cot
	IH-124824	4		Nut, 5/16-18 C-Z Hex Jam
5	IH-528818-R1	2		Rod, Brake
6	719-3014	2		Bracket Assy, Caliper
7	703-0222	2		Flange, Caliper Mounting
		4		Screw, 3/8-16 X 1-1/4 Cdp Hex Hd Cap Common Hardware Purchase Locally
	736-0169	4	S	Washer, 3/8 C-Z Med Lock
8	IH-57953-C91	2	S	Caliper Assy, Brake (Consists of Ref No. 9 thru 15)
9	IH-530673-R1	2		Plate, Actuator Cam
10	IH-530675-R1	2		Carrier, Flat Plate
11	~NLA	2		Carrier, Rib Plate
12		1		Liner, Brake (Order liner kit IH-544835-R91)
	IH-24699-R1	8		Rivet, 9/64 X 7/16 Fl Hd Tubular Brass
13	IH-530678-R1	2		Spring, Compression
14	IH-528823-R1	2		Bushing, Caliper
		2		Screw, 3/8-24 Unf-2A Znd Mach Common Hardware Purchase Locally
		2		Nut, 3/8-24 Unf-3B Hex Lock Common Hardware Purchase Locally
15	IH-531636-R1	1		Lever, Cam
16	IH-394037-R1	1		Clip, Safety Switch Release Lever Strip
	715-0114A	1	S	Pin, 1/4 X 1-1/2 Hv Coiled Spring
	715-3018	2	S	Pin, 1/4 X 1-3/8 Coiled Spring
17	~NLA	1		Lever, Brake Rod
18	~NLA	1		Pedal Assy, Clutch & Brake
19	724-3000	1	S	Pad, Pedal
20	759-3106	1		Lever, Neutral Return
21	732-3015	1	S	Spring, Pedal Return
	IH-544835-R91	1		Liner Kit Liner Rivet Spring



147  
Carburetor

Ref #	Part Number	Qty	S/P/F	Description
	KH-47-853-30	1	/P	Carburetor Assy
1	KH-200383	1	/P	Spring, High Speed Needle
2		1		Seal, Throttle Shaft Dust (Furnish complete Carburetor Assy)
3	KH-237489	1		Screw, High Speed Adj
4		1		Shaft, Throttle
5		1		Dog Assy, Throttle Shaft (Furnish complete Carburetor Assy)
6		1		Lever, Throttle (Furnish complete Carburetor Assy)
7		1		Screw w/Washer, Throttle Lever (Furnish complete Carburetor Assy)
8		1		Screw, 8-32 X 1/2 Slit Fil Hd Mach Common Hardware Purchase Locally
9	KH-200380	1		Spring, Throttle Lever
10	KH-232556	1		Screw, Throttle Adjusting
11	KH-275231	1	/P	Screw, Idle Adjusting
12	KH-200380	1		Spring, Idle Adjusting Screw
13		4		Screw, Choke & Throttle Valve (Furnish complete Carburetor Assy)
14		1		Valve Assy, Throttle (Furnish complete Carburetor Assy)
15		1		Plug, 3/8 Aluminum Expansion (Furnish complete Carburetor Assy)
16		1		Shaft & Lever Assy, Choke (Furnish complete Carburetor Assy)
17		1		Nozzle, High Speed Needle (Furnish complete Carburetor Assy)
18		1		Gasket, Needle Seat (Furnish Repair Kit KH-25-757-01)
19		1		Needle & Seat Assy w/Spring (Furnish Repair Kit KH-25-757-01)
20	KH-200376	1	/P	Pin, Float & Lever
21	KH-25-757-03	1	S	Float & Lever Assy
22		1		Gasket, Fuel Bowl Ring (Furnish Repair Kit KH-25-757-01)
23		1		Gasket, Fuel Bowl (Furnish Repair Kit KH-25-757-01)
24	KH-235448	1	/P	Bowl, Fuel
25		1		Gasket, Fuel Bowl Screw (Furnish Repair Kit KH-25-757-01)
26	KH-47-100-06	1	S	Screw, Fuel Bowl
27		1		Plug, Idle Passage Rivet (Furnish complete Carburetor Assy)