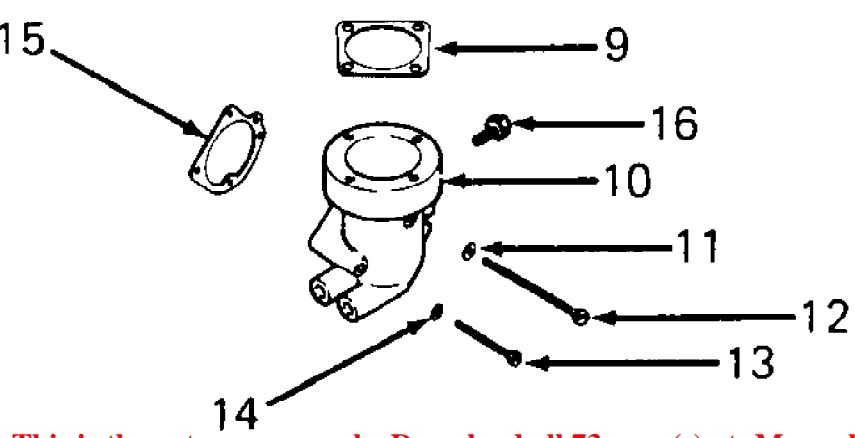
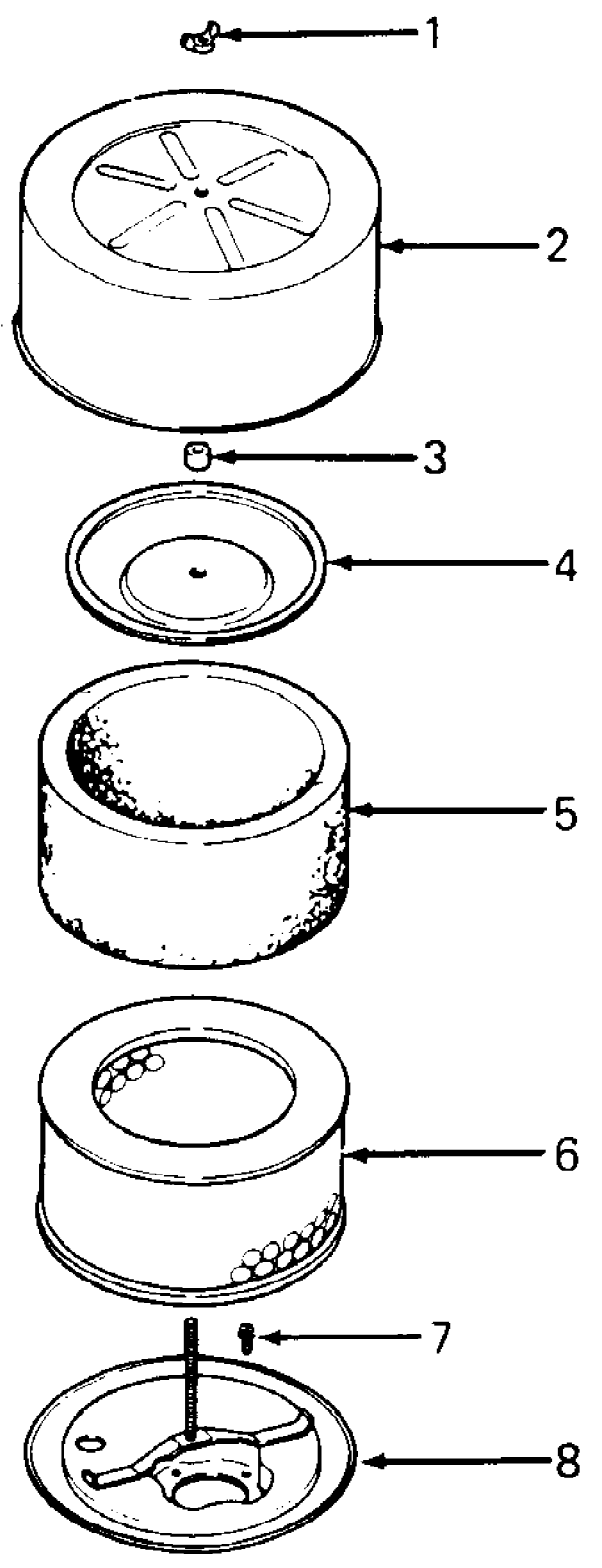


Air Cleaner

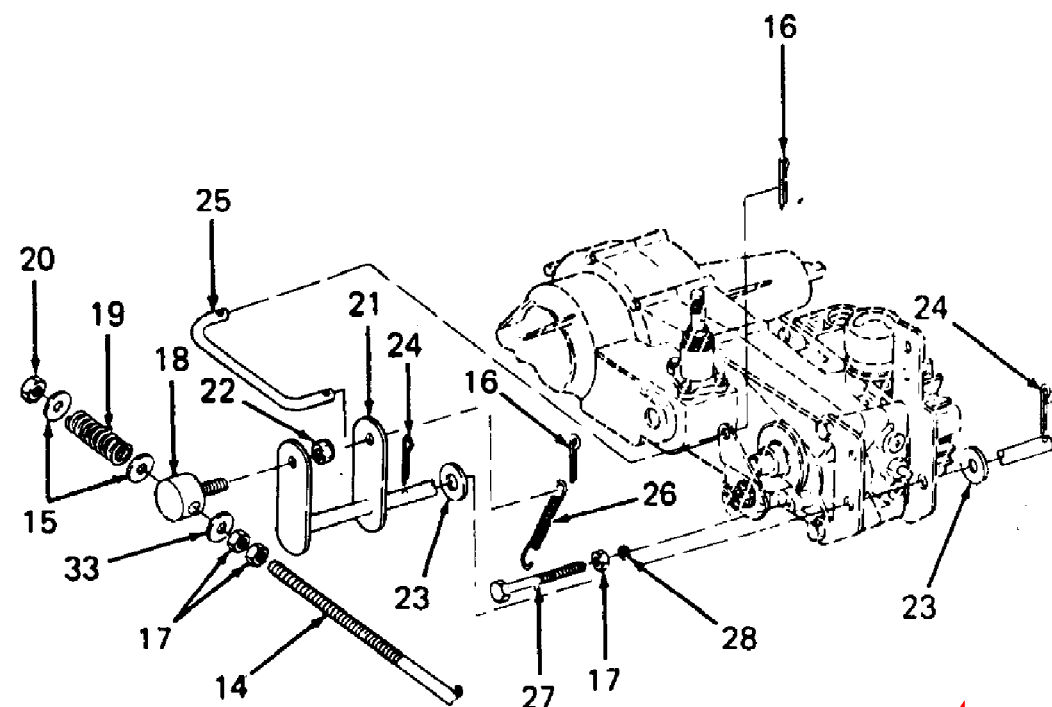
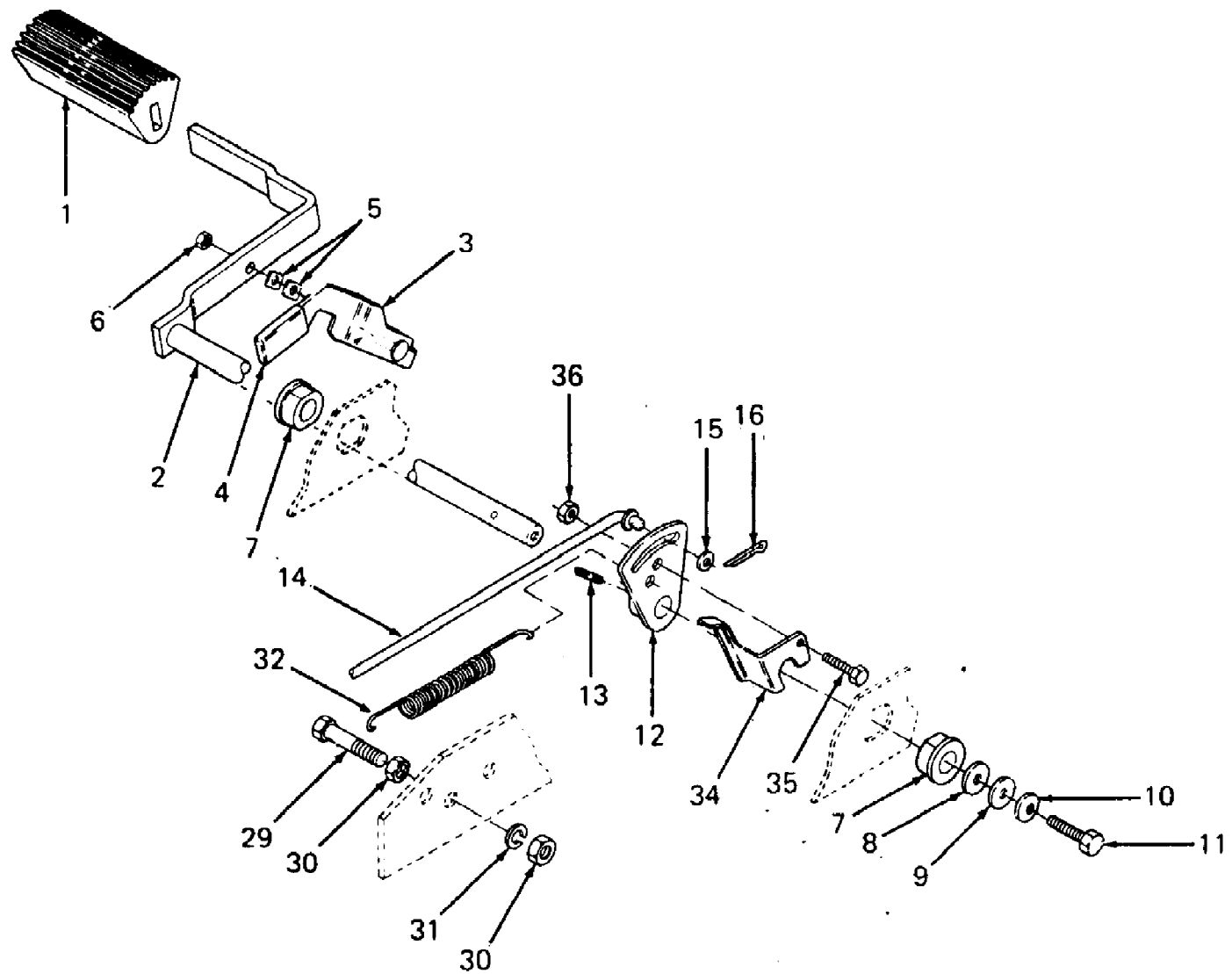


1430 S/N 207,401 - 239,300  
Air Cleaner

Page 2 of 73

| Ref # | Part Number  | Qty | S/P/F | Description                                   |
|-------|--------------|-----|-------|---|
| 1     | KH-X-276-7   | 1   | S     | Nut, Wing                                     |
| 2     | KH-45-082-01 | 1   | /P    | Cover, Air Cleaner                            |
| 3     | KH-231032    | 1   | /P    | Seal, Element Cover                           |
| 4     | KH-52-082-04 | 1   | /P    | Cover, Air Cleaner Element                    |
| 5     | KH-45-083-01 | 1   | S     | Precleaner                                    |
| 6     | 759-3359     | 1   | S     | Element                                       |
| 7     | KH-X-67-98   | 4   | S     | Screw, Hex Wash Hd, 10-32 X 9/16              |
| 8     | KH-52-094-06 | 1   | /P    | Base, Air Cleaner                             |
| 9     | KH-277093    | 1   | /P    | Gasket, Air Cleaner                           |
| 10    | KH-52-754-02 | 1   |       | Elbow, Air Cleaner (Includes Ref No. 15 & 16) |
| 11    | KH-X-25-79   | 1   |       | Washer, Plain, #10                            |
| 12    | KH-X-50-37   | 1   | /P    | Screw, Slted Pan Hd, 10-32 X 2-1/4            |
| 13    | KH-X-50-57   | 2   | S     | Screw, Slted Pan Hd, 10-32 X 1-1/2            |
| 14    | KH-X-22-9    | 2   |       | Washer, I.T. #10                              |
| 15    | KH-25-041-06 | 1   | /P    | Gasket, Elbow                                 |
| 16    | KH-52-086-11 | 1   |       | Screw, Self Tapping, 1/4-20 X 5/8             |
|       | KH-25-113-01 | 1   |       | Decal, Air Cleaner Instructions               |

1430 S/N 207,401 - 239,300  
Brake Pedal & Connections

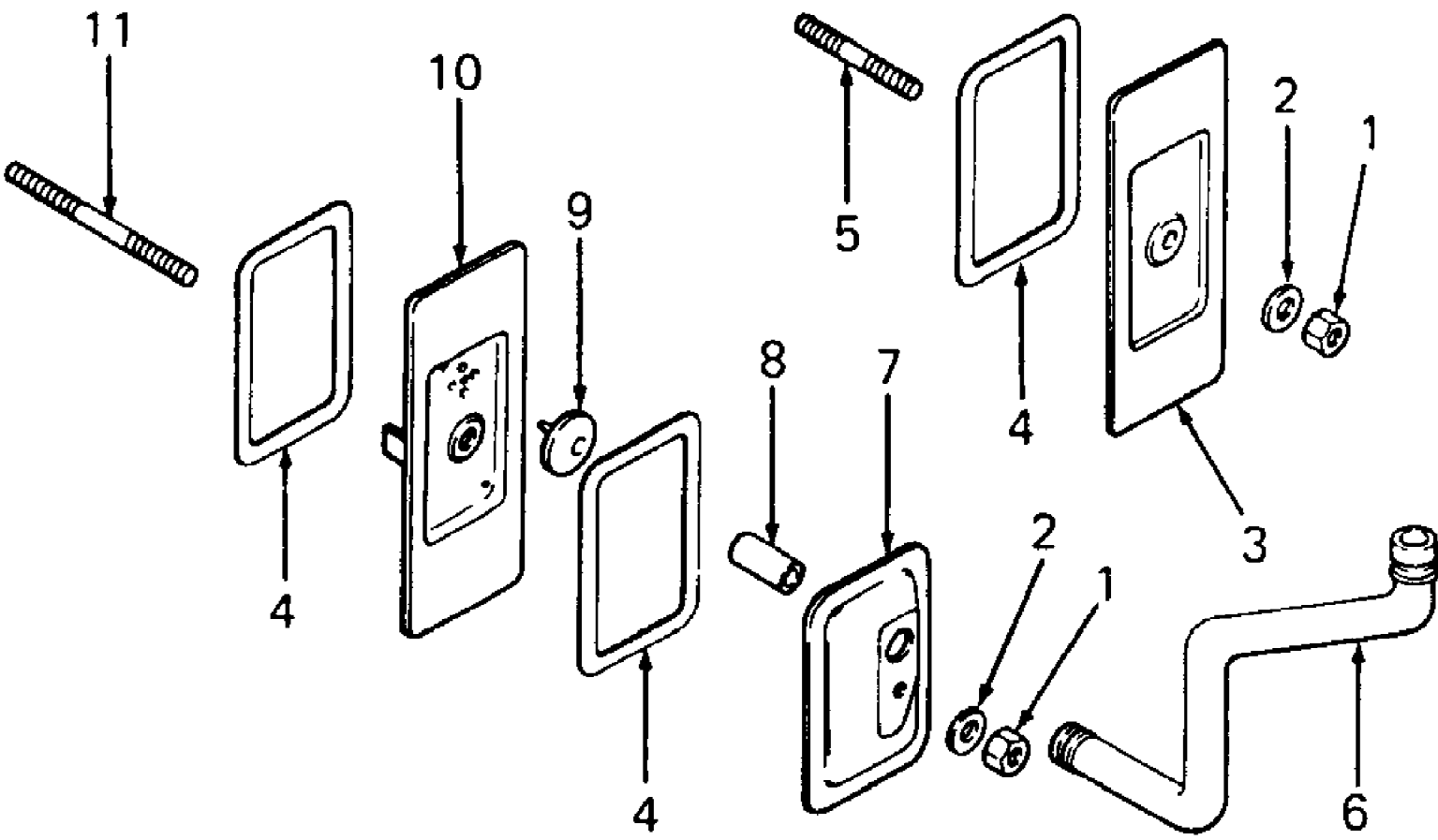


1430 S/N 207,401 - 239,300  
Brake Pedal & Connections

Page 4 of 73

| Ref # | Part Number | Qty | S/P/F | Description   |
|-------|-------------|-----|-------|---|
| 1     | 735-0189    | 1   |       | Pad, Foot   |
| 2     | 703-1532    | 1   |       | Pedal, Brake  |
| 3     | 703-1393    | 1   |       | Bracket, Parking Brake  |
| 4     | 720-3019    | 1   | S     | Grip, Parking Brake   |
| 5     | 736-3001    | 2   | /P    | Washer, Wave  |
| 6     | 712-0324    | 1   | /P    | Nut, Hex Insert Lock, 1/4-20  |
| 7     | 748-0209    | 2   | S     | Bearing, Flange   |
| 8     | 736-0156    | AR  | /P    | Washer, Flat, .635 X 1.12 X .090 Thk  |
| 9     | 736-0176    | 1   | S     | Washer, Flat, .26 X .93 X .120 Thk  |
| 10    | 736-0270    | 1   | /P    | Washer, Bell, .265 X .75 X .062 Thk   |
| 11    | 710-3015    | 1   | /P    | Screw, Hex Cap, 1/4-20 X .75 Lg GR5   |
| 12    | 703-1558A   | 1   |       | Cam, Brake  |
| 13    | 715-0134    | 1   | S     | Pin, Spiral Spring, 3/16 Dia X 1.5 Lg   |
| 14    | 747-3131    | 1   |       | Rod, Brake  |
| 15    | 736-0173    | 3   | /P    | Washer, Flat, .281 X .73 X .063 Thk   |
| 16    | 714-0507    | 3   | S     | Pin, Cotter, 3/32 X .75 Lg  |
| 17    | 712-0298    | 3   | S     | Nut, Hex Jam, 1/4-20  |
| 18    | 711-0471    | 1   |       | Ferrule   |
| 19    | 732-0330    | 1   | S     | Spring, Compression, .58 OD X 2.00 Lg   |
| 20    | 712-0291    | 1   | S     | Nut, Hex Center Lock, 1/4-20  |
| 21    | 703-1634    | 1   |       | Shaft, Brake  |
| 22    | 712-0429    | 1   | S     | Nut, Hex Insert Lock, 5/16-18   |
| 23    | 736-0272    | 2   | S     | Washer, Flat, .510 X 1.0 X .060 Thk   |
| 24    | 714-0115    | 2   | S     | Pin, Cotter, 1/8 Dia X 1.0 Lg   |
| 25    | 747-3130    | 1   |       | Link, Brake   |
| 26    | 732-0339    | 1   | S     | Spring, Extension   |
| 27    | 710-3201    | 1   |       | Screw, Hex Patch, 1/4-20 X 1.5 Lg GR5   |
| 28    | 736-0329    | 1   | S     | Washer, Lock, 1/4   |
| 29    | 710-0194    | 1   | /P    | Screw, Hex Cap, 3/8-16 X 3.0 Lg   |
| 30    | 712-3017    | 2   | S     | Nut, Hex, 3/8-16 GR5  |
| 31    | 736-0169    | 1   | S     | Washer, Lock, 3/8   |
| 32    | 732-0429A   | 1   | S     | Spring, Extension, .50 OD X 3.97 Lg   |
| 33    | 736-0142    | 1   | S     | Washer, Flat, .281 X .50 OD X .063 Thk  |
| 34    | 703-1897    | 1   |       | Bracket, Switch Actuator (For tractors w/serial no. 170,600 and above)        |
| 35    | 710-0289    | 1   | S     | Screw, Hex Cap, 1/4-20 X .50 Lg (For tractors w/serial no. 170,600 and above) |
| 36    | 712-0107    | 1   | S     | Nut, Hex Patch Lock, 1/4-20 (For tractors w/serial no. 170,600 and above)     |

1430 S/N 207,401 - 239,300  
Breather & Vent Assembly



1430 S/N 207,401 - 239,300  
Breather & Vent Assembly

Page 6 of 73

| Ref # | Part Number  | Qty | S/P/F | Description                                   |
|-------|--------------|-----|-------|---|
| 1     | KH-X-81-1    | 2   |       | Nut, Hex, 1/4-20                              |
| 2     | KH-X-25-12   | 2   | /P    | Washer, Plain, 1/4                            |
| 3     | KH-52-096-18 | 1   |       | Cover, #2 Cylinder Valve                      |
| 4     | KH-52-055-01 | 3   | S     | Gasket, Valve Cover                           |
| 5     | KH-X-352-39  | 1   |       | Stud, #2 Cylinder Valve Cover, 1/4-20 X 2-1/4 |
| 6     | KH-52-326-12 | 1   |       | Hose, Breather                                |
| 7     | KH-52-096-08 | 1   | /P    | Cover, #1 Upper Cylinder Valve                |
| 8     | KH-52-032-04 | 1   | S     | Seal, Breather                                |
| 9     | KH-52-462-01 | 1   | S     | Valve, Umbrella                               |
| 10    | KH-52-096-22 | 1   | S     | Cover, #1 Lower Cylinder Valve                |
| 11    | KH-275220    | 1   |       | Stud, #1 Cylinder Valve Cover, 1/4-20 X 3-1/4 |

