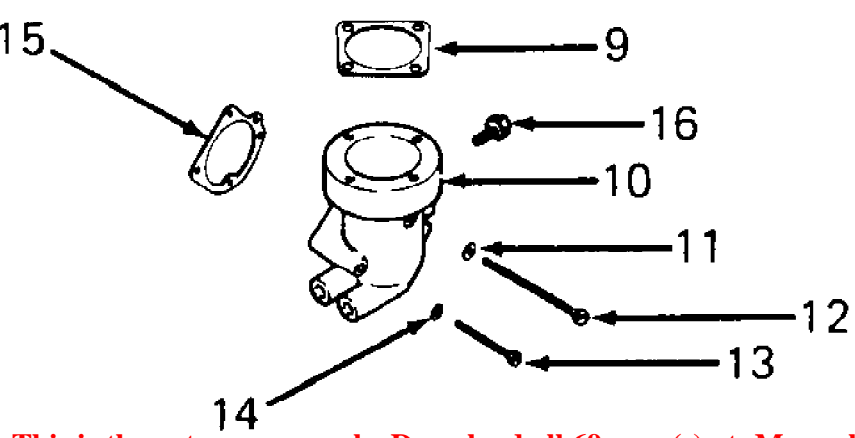
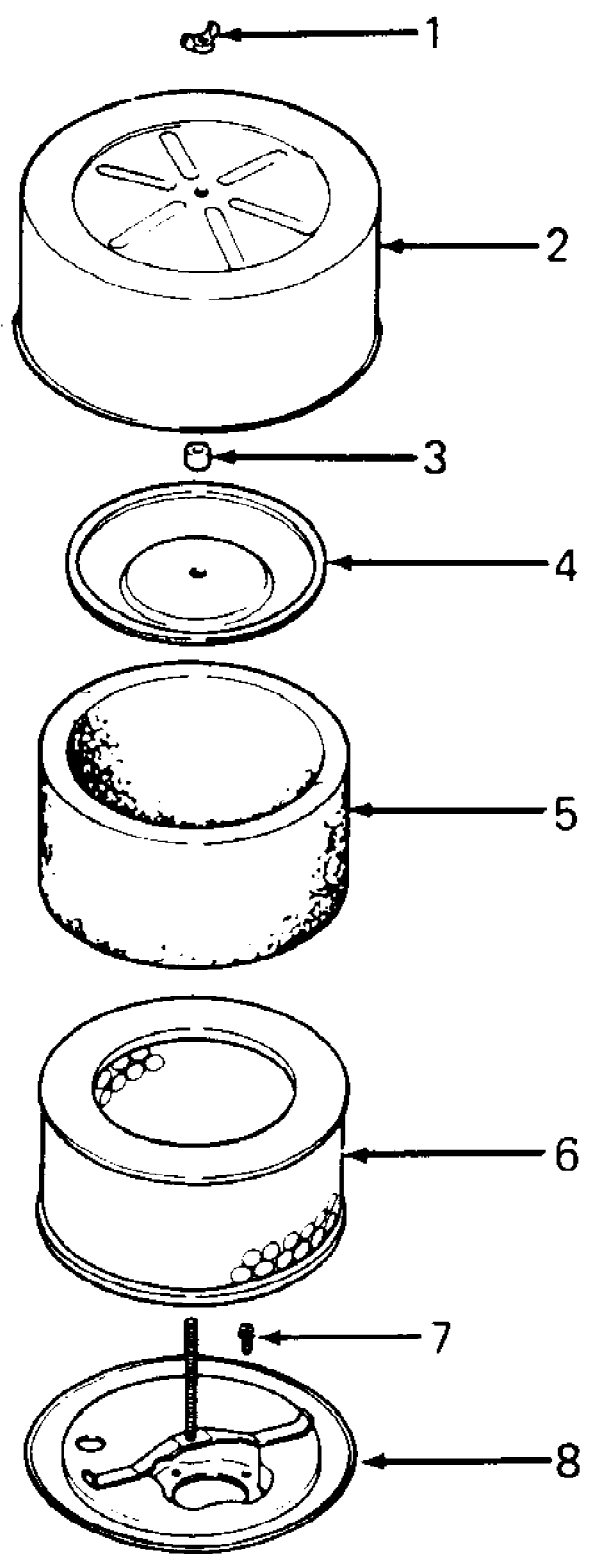


Air Cleaner

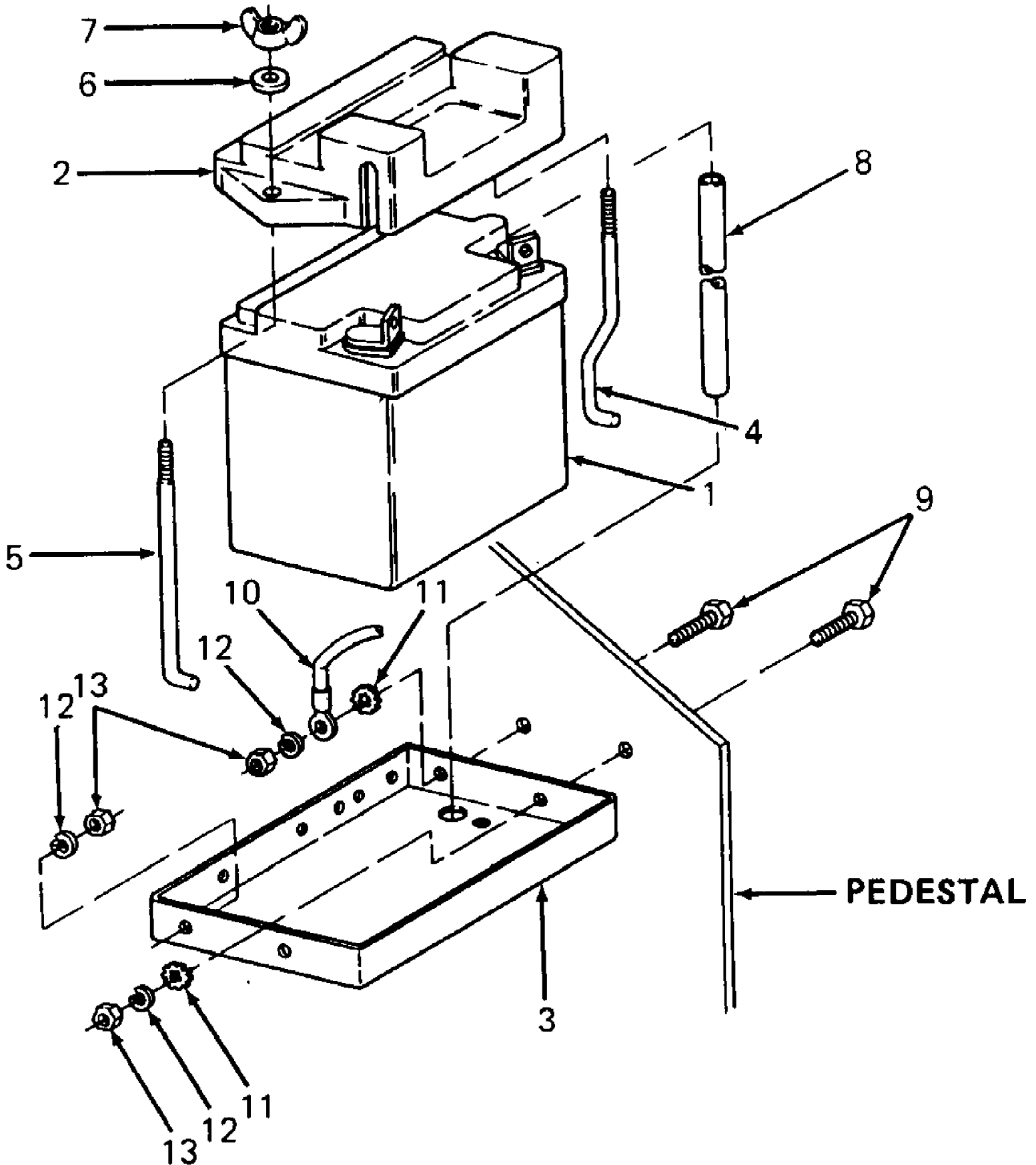


1415 S/N 126,001 - 147,087  
Air Cleaner

Page 2 of 69

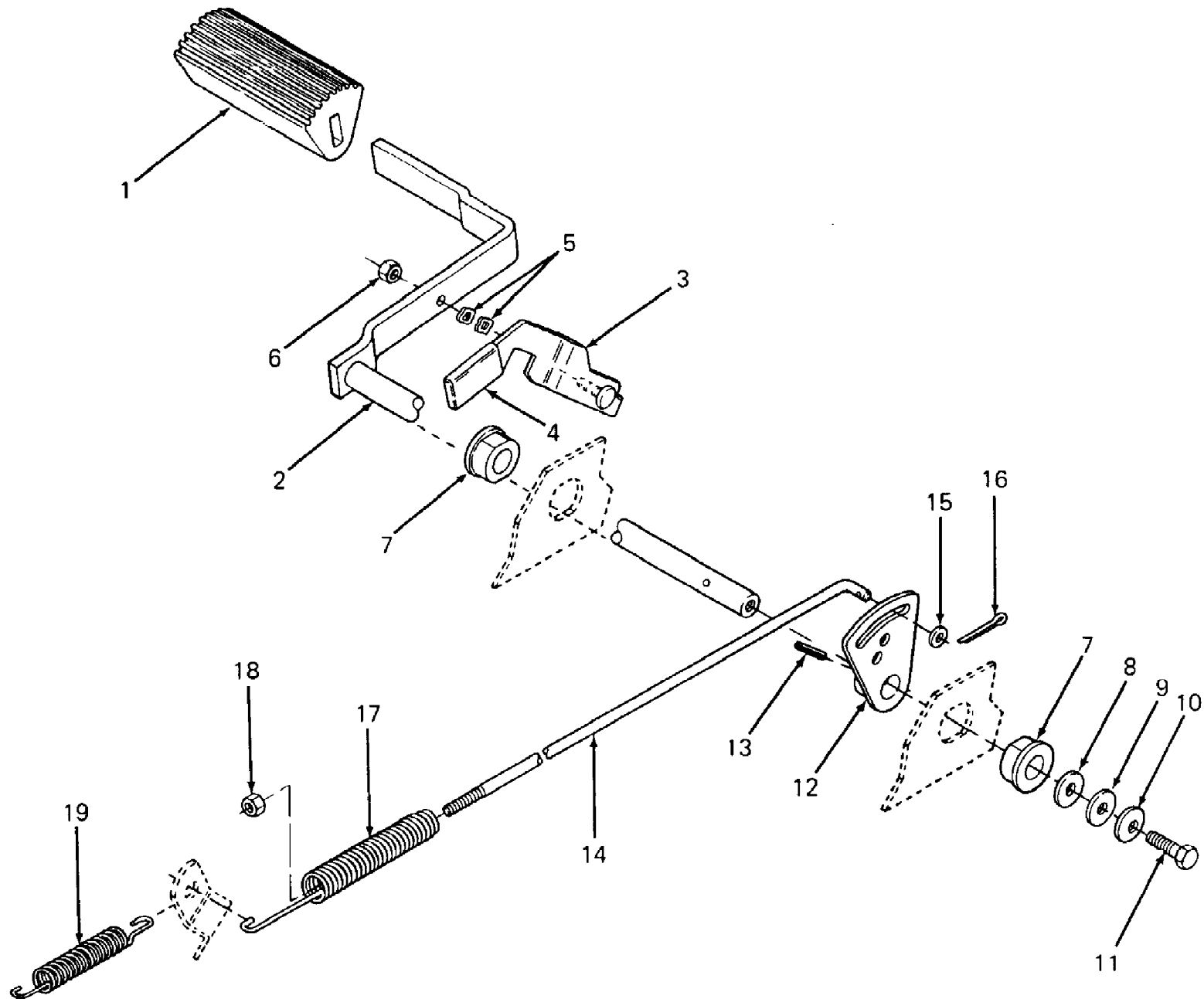
Ref #	Part Number	Qty	S/P/F	Description
1	KH-X-276-7	1	S	Nut, Wing
2	KH-45-082-01	1	/P	Cover, Air Cleaner
3	KH-231032	1	/P	Seal, Element Cover
4	KH-52-082-04	1	/P	Cover, Air Cleaner Element
5	KH-45-083-01	1	S	Precleaner
6	KH-45-083-02	1	S	Element
7	KH-X-67-98	4	S	Screw, Hex Wash Hd, 10-32 X 9/16
8	KH-52-094-06	1	/P	Base, Air Cleaner
9	KH-277093	1	/P	Gasket, Air Cleaner
10	KH-52-754-02	1		Elbow, Air Cleaner (Includes Ref No. 15 & 16)
11	KH-X-25-79	1		Washer, Plain, #10
12	KH-X-50-37	1	/P	Screw, Slted Pan Hd, 10-32 X 2-1/4
13	KH-X-50-57	2	S	Screw, Slted Pan Hd, 10-32 X 1-1/2
14	KH-X-22-9	2		Washer, I.T. #10
15	KH-25-041-06	1	/P	Gasket, Elbow
16	KH-52-086-11	1		Screw, Self Tapping, 1/4-20 X 5/8
	KH-25-113-01	1		Decal, Air Cleaner Instructions

1415 S/N 126,001 - 147,087  
Battery & Mounting



1415 S/N 126,001 - 147,087  
 Battery & Mounting

Ref #	Part Number	Qty	S/P/F	Description
1	725-3061	1	S	Battery, 12 Volt
	710-0451	2	/P	Bolt, Carriage, 5/16-18 X .75 Lg
	712-3010	2	S	Nut, Hex, 5/16-18
2	759-3193	1		Cover w/Graphic, Battery
	777-4491	1		Graphic, Danger
3	703-1144	1		Tray, Battery
4	711-3142	1		Rod, Battery Cover, LH
5	711-0222	1	S	Rod, Battery Cover, RH
6	736-0142	2	S	Washer, Flat, .281 X .500 X .056
7	712-3044	2		Nut, Wing, 1/4-20
8	735-3027	1		Hose, Battery Drain, 48 in. Lg
9	710-3008	4	/P	Screw, Hex Cap, 5/16-18 X .75 Lg GR5
10	725-0975	1		Wire, Ground, 9.0 Lg
11	736-3007	2		Washer, Int. Ext. Lock, 5/16 ID X .875 OD
12	736-0119	4	S	Washer, Lock, 5/16
13	712-3010	4	S	Nut, Hex, 5/16-18



1415 S/N 126,001 - 147,087  
Brake Pedal & Connections

Page 6 of 69

Ref #	Part Number	Qty	S/P/F	Description
1	735-0189	1		Pad, Foot
2	703-1532	1		Pedal, Brake
3	703-1393	1		Bracket, Parking Brake
4	720-3019	1	S	Grip, Parking Brake
5	736-3001	2	/P	Washer, Wave
6	712-0324	1	/P	Nut, Hex Insert Lock, 1/4-20
7	748-0209	2	S	Bearing, Flange
8	736-0156	AR	/P	Washer, Flat, .635 X 1.12 X .090 Thk
9	736-0176	1	S	Washer, Flat, .26 X .93 X .120 Thk
10	736-0270	1	/P	Washer, Bell, .265 X .75 X .062 Thk
11	710-3015	1	/P	Screw, Hex Cap, 1/4-20 X .75 Lg GR5
12	703-1558	1		Cam, Brake
13	715-0134	1	S	Pin, Spiral Spring, 3/16 Dia X 1.5 Lg
14	747-3124	1		Rod, Brake
15	736-0173	1	/P	Washer, Flat, .281 X .73 X .063 Thk
16	714-0507	1	S	Pin, Cotter, 3/32 X .75 Lg
17	732-3043	1		Spring, Ext
18	712-0107	1	S	Nut, Hex Patch, 1/4-20
19	732-3046	1		Spring, Brake Return