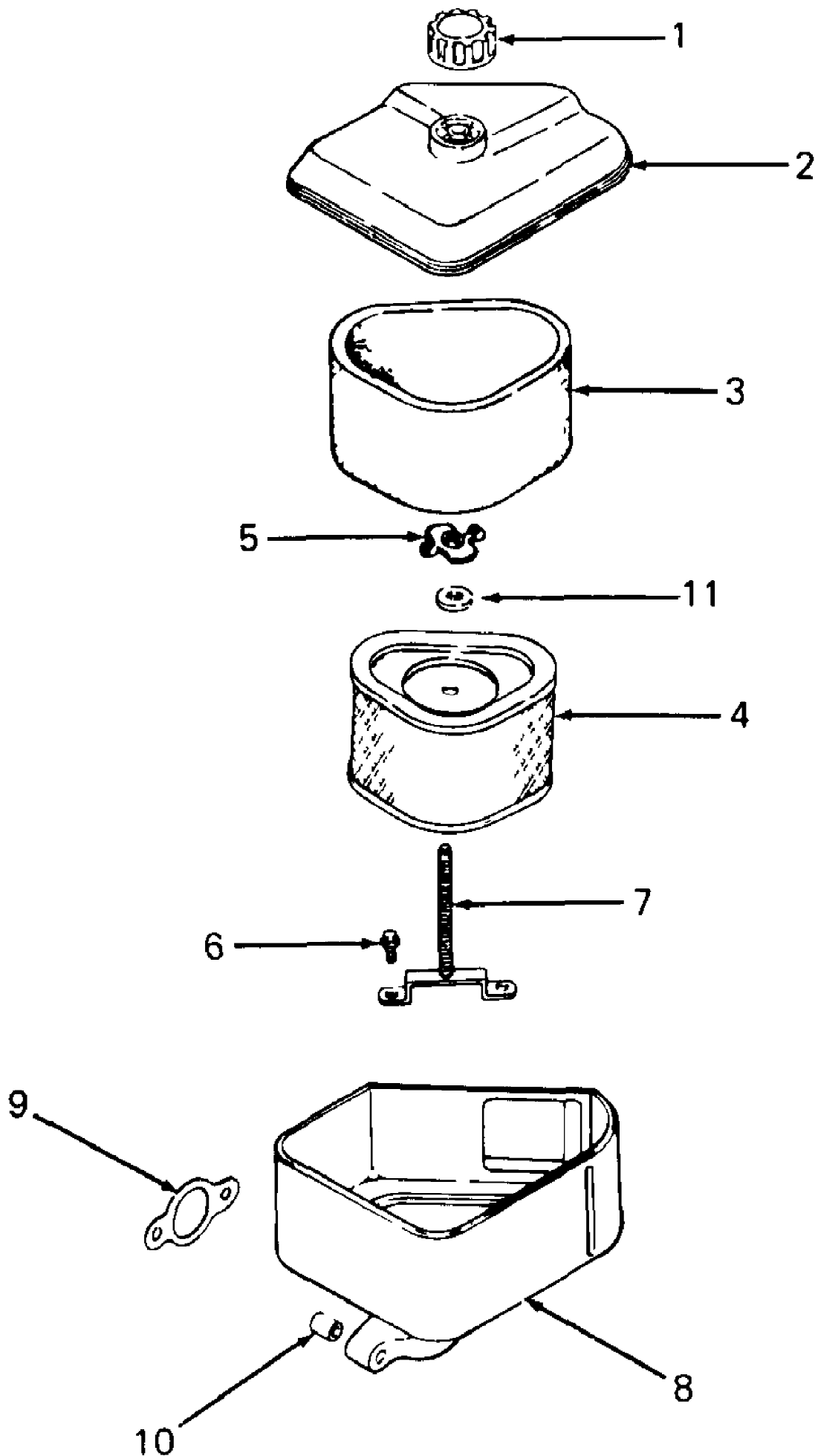


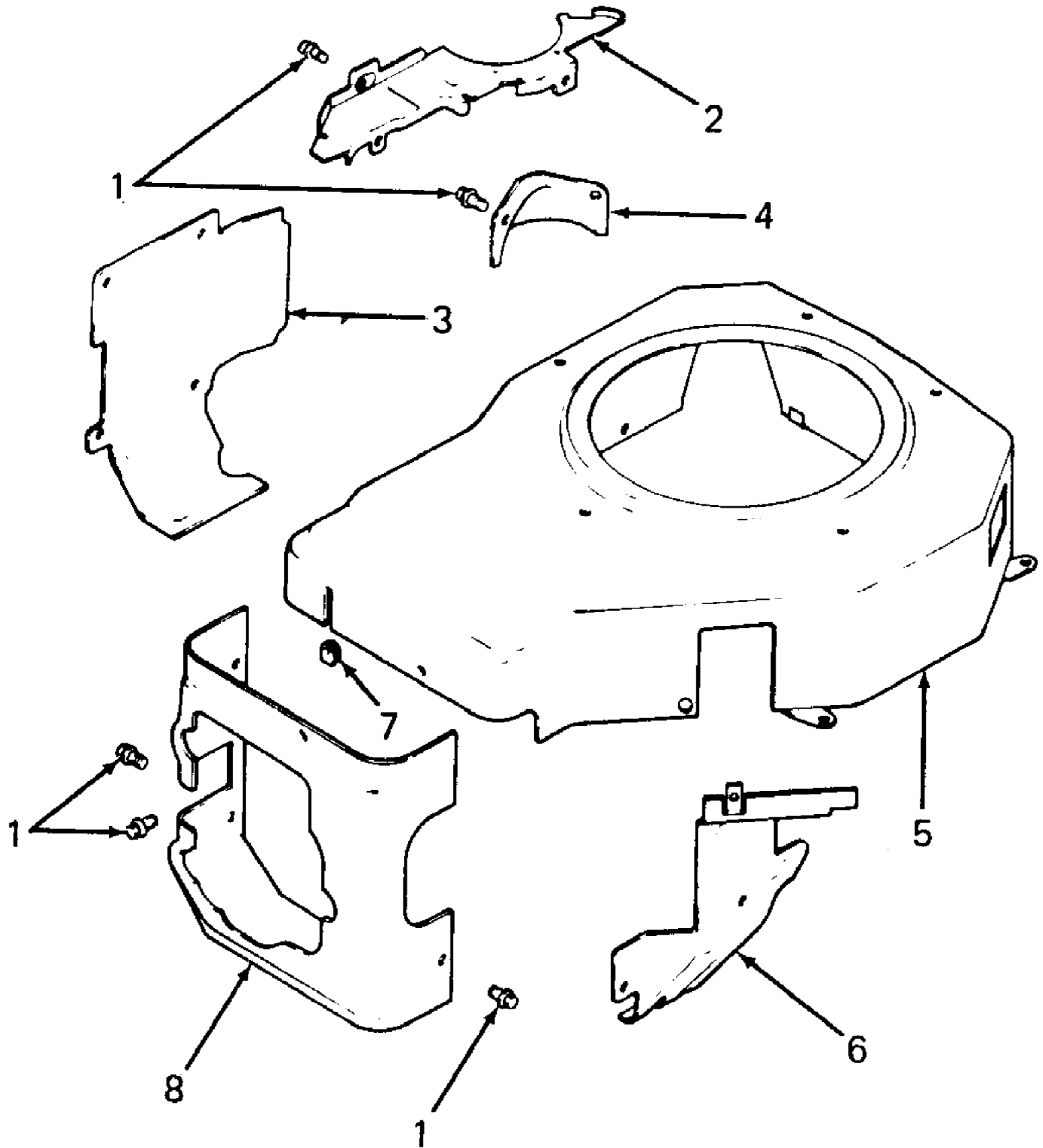
Air Intake



1320 S/N 147,008 - 207,400
Air Intake

Ref #	Part Number	Qty	S/P/F	Description
1	KH-12-341-01	1		Knob, Air Cleaner Cover
2	KH-12-096-06	1		Cover, Air Cleaner
3	KH-12-083-08	1	S	Precleaner, Element
4	KH-12-083-05	1	S	Element, Air Cleaner
5	KH-12-100-01	1	/P	Wing Nut
6	KH-12-086-01	2		Screw, Mtg Plate Stud
7	KH-12-072-03	1		Stud, Mounting Plate
8	KH-12-094-01	1		Base, Air Cleaner
9	KH-12-041-02	1	/P	Gasket, Air Cleaner
10	KH-12-112-03	1		Spacer
11	KH-X-25-63	1	/P	Washer, Plain, 1/4

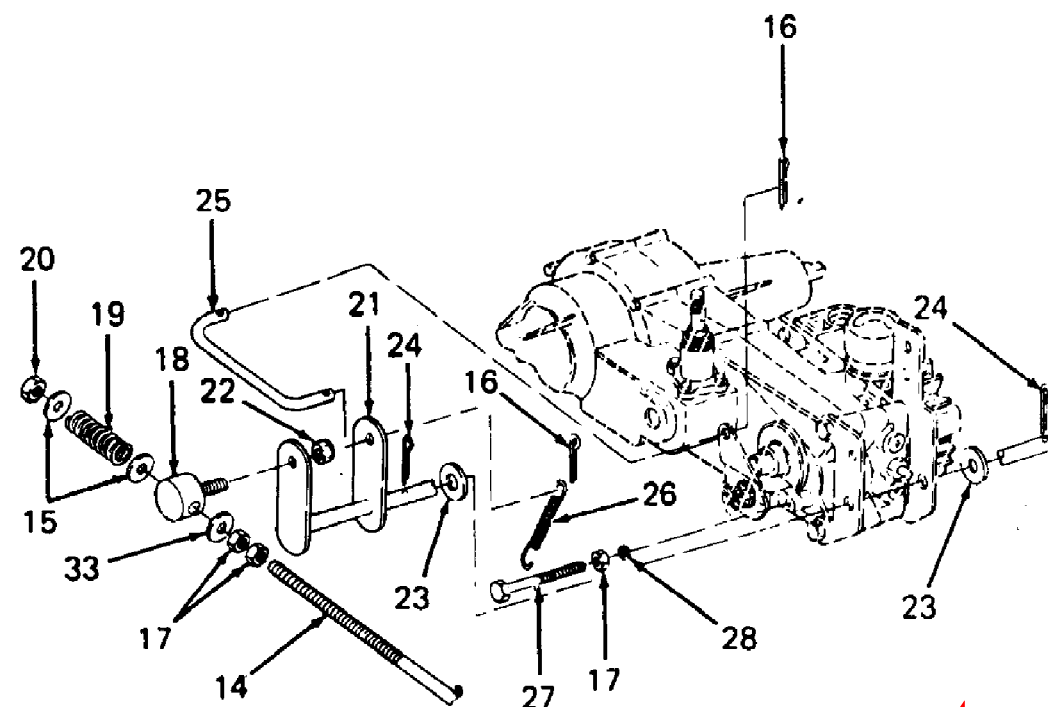
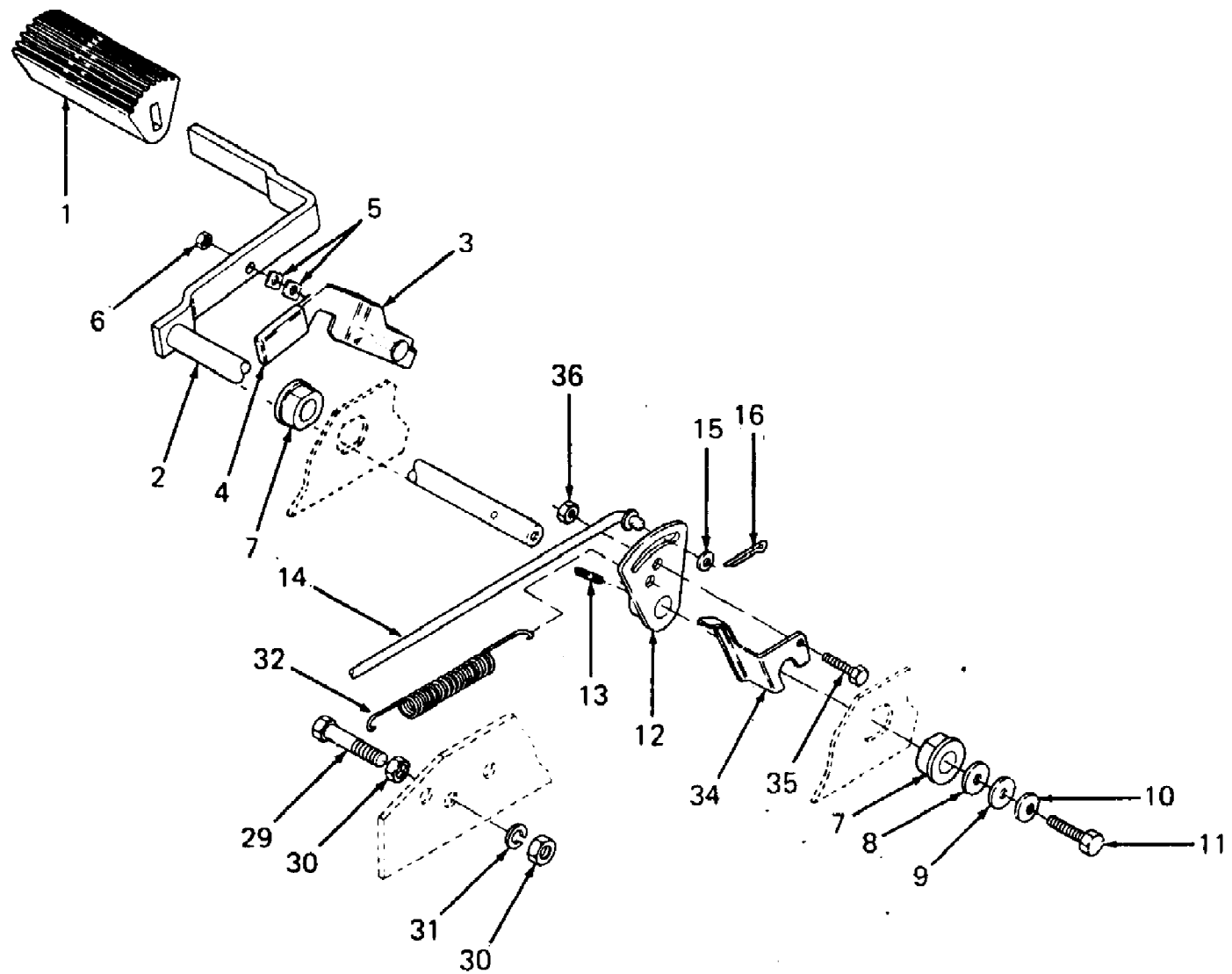
1320 S/N 147,008 - 207,400
Blower Housing & Baffles



1320 S/N 147,008 - 207,400
Blower Housing & Baffles

Ref #	Part Number	Qty	S/P/F	Description
1	KH-SM-0545010	14	S	Screw, Mounting, M5 X 0.8 X 10
2	KH-12-146-01	1	S	Plate, Blower Housing
3	KH-12-063-01	1	S	Baffle, Cylinder Barrel
4	KH-12-096-01	1		Cover, Starter
5	KH-12-027-01	1		Housing, Blower
6	KH-12-063-02	1		Baffle, Carburetor
7	KH-12-313-03	1		Grommet, Blower Housing
8	KH-12-063-03	1	S	Baffle, Cylinder Head
	KH-12-113-02	1		Decal, Horsepower

1320 S/N 147,008 - 207,400
Brake Pedal & Connections



1320 S/N 147,008 - 207,400
Brake Pedal & Connections

Page 6 of 69

Ref #	Part Number	Qty	S/P/F	Description
1	735-0189	1		Pad, Foot
2	703-1532	1		Pedal, Brake
3	703-1393	1		Bracket, Parking Brake
4	720-3019	1	S	Grip, Parking Brake
5	736-3001	2	/P	Washer, Wave
6	712-0324	1	/P	Nut, Hex Insert Lock, 1/4-20
7	748-0209	2	S	Bearing, Flange
8	736-0156	AR	/P	Washer, Flat, .635 X 1.12 X .090 Thk
9	736-0176	1	S	Washer, Flat, .26 X .93 X .120 Thk
10	736-0270	1	/P	Washer, Bell, .265 X .75 X .062 Thk
11	710-3015	1	/P	Screw, Hex Cap, 1/4-20 X .75 Lg GR5
12	703-1558A	1		Cam, Brake
13	715-0134	1	S	Pin, Spiral Spring, 3/16 Dia X 1.5 Lg
14	747-3131	1		Rod, Brake
15	736-0173	3	/P	Washer, Flat, .281 X .73 X .063 Thk
16	714-0507	3	S	Pin, Cotter, 3/32 X .75 Lg
17	712-0298	3	S	Nut, Hex Jam, 1/4-20
18	711-0471	1		Ferrule
19	732-0330	1	S	Spring, Compression, .58 OD X 2.00 Lg
20	712-0291	1	S	Nut, Hex Center Lock, 1/4-20
21	703-1634	1		Shaft, Brake
22	712-0429	1	S	Nut, Hex Insert Lock, 5/16-18
23	736-0272	2	S	Washer, Flat, .510 X 1.0 X .060 Thk
24	714-0115	2	S	Pin, Cotter, 1/8 Dia X 1.0 Lg
25	747-3130	1		Link, Brake
26	732-0339	1	S	Spring, Extension
27	710-3201	1		Screw, Hex Patch, 1/4-20 X 1.5 Lg GR5
28	736-0329	1	S	Washer, Lock, 1/4
29	710-0194	1	/P	Screw, Hex Cap, 3/8-16 X 3.0 Lg
30	712-3017	2	S	Nut, Hex, 3/8-16 GR5
31	736-0169	1	S	Washer, Lock, 3/8
32	732-0429A	1	S	Spring, Extension, .50 OD X 3.97 Lg
33	736-0142	1	S	Washer, Flat, .281 X .50 OD X .063 Thk
34	703-1897	1		Bracket, Switch Actuator (For tractors w/serial no. 170,600 and above)
35	710-0289	1	S	Screw, Hex Cap, 1/4-20 X .50 Lg (For tractors w/serial no. 170,600 and above)
36	712-0107	1	S	Nut, Hex Patch Lock, 1/4-20 (For tractors w/serial no. 170,600 and above)